



AXIOMTEK

P6151

15" XGA TFT Monitor

User's Manual



Disclaimers

This manual has been carefully checked and believed to contain accurate information. Axiomtek Co., Ltd. assumes no responsibility for any infringements of patents or any third party's rights, and any liability arising from such use.

Axiomtek does not warrant or assume any legal liability or responsibility for the accuracy, completeness or usefulness of any information in this document. Axiomtek does not make any commitment to update the information in this manual.

Axiomtek reserves the right to change or revise this document and/or product at any time without notice.

No part of this document may be reproduced, stored in a retrieval system, or transmitted, in any form or by any means, electronic, mechanical, photocopying, recording, or otherwise, without the prior written permission of Axiomtek Co., Ltd.

CAUTION

If you replace wrong batteries, it causes the danger of explosion. It is recommended by the manufacturer that you follow the manufacturer's instructions to only replace the same or equivalent type of battery, and dispose of used ones.

©Copyright 2016 Axiomtek Co., Ltd.

All Rights Reserved

July 2016, Version A1

Printed in Taiwan

Safety Precautions

Before getting started, read the following important cautions.

1. Be sure to ground yourself to prevent static charge when installing the internal components. Use a grounding wrist strap and place all electronic components in any static-shielded devices. Most electronic components are sensitive to static electrical charge.
2. Disconnect the power cords from the P6151 Series before making any installation. Be sure both the system and the external devices are turned OFF. Sudden surge of power could ruin sensitive components. Make sure the P6151 Series is properly grounded.
3. Do not open the system's top cover. If opening the cover for maintenance is a must, only a trained technician is allowed to do so. Integrated circuits on computer boards are sensitive to static electricity. To avoid damaging chips from electrostatic discharge, observe the following precautions:
 - Before handling a board or integrated circuit, touch an unpainted portion of the system unit chassis for a few seconds. This will help to discharge any static electricity on your body.
 - When handling boards and components, wear a wrist-grounding strap, available from most electronic component stores.

Trademarks Acknowledgments

Axiomtek is a trademark of Axiomtek Co., Ltd.

Windows[®] is a trademark of Microsoft Corporation.

IBM, PC/AT, PS/2, VGA are trademarks of International Business Machines Corporation.

Intel[®] and Pentium[®] are trademarks of Intel Corporation.

AMI is trademark of American Megatrend Inc.

Other brand names and trademarks are the properties and registered brands of their respective owners.

Table of Contents

Disclaimers.....	ii
Safety Precautions.....	iii
Chapter 1 Introduction.....	1
1.1 General Description	1
1.2 Features	2
1.3 Specifications.....	2
1.4 Dimensions and Outlines	3
1.5 I/O Outlets	4
1.6 Packing List	5
Chapter 2 System Setup	7
2.1 System Configuration	7
2.2 Panel Mounting	8
2.3 Wall Mounting.....	8
2.4 VESA Mounting	9
2.5 Rack Mounting	10
Appendix A Supported Input Timing Modes	11
Appendix B OSD Operation.....	13
Function Description of OSD Menu.....	13

Chapter 1

Introduction

This chapter contains general information and detailed specifications of the P6151. Chapter 1 includes the following sections:



- **General Description**
- **Features**
- **Specifications**
- **Dimensions and Outlines**
- **I/O Outlets**
- **Package List**

1.1 General Description

The P6151, an industrial 15 inches view area LCD Monitor comes with slim, light and reliable features to replace traditional bulky CRT for Industrial application. Its unique flat design is fit for panel mounting, VESA mounting, Wall mounting and Rack mounting. The display interface offers DVI-D, HDMI and VGA for different input source from PC system or multimedia system that let you upgrade the display don't change anything from your system. Besides, for varied HMI field, you can choose one of resistive touch or glass interface to meet your application. In addition, this monitor has more comfort, safety, and environmental protection for humanized & health consideration those would be the benefit that users can get.

This LCD monitor builds in color active matrix thin-film-transistor (TFT) liquid crystal display to provide superior display performance. A maximum resolution of 1024x768 is ideal for displaying complex graphics and high definition images. Other outstanding designs that enhance this LCD monitor's performance are Plug & Play compatibility, and OSD (On Screen Display) controls, especially OSD, it made you ease adjustment on screen image.

1.2 Features

- High contrast color 15" XGA TFT LCD display support resolution up to 1024x768
- Flat design with NEMA4/IP65-compliant
- Suits with resistive touch or glass
- High Brightness and Ultra-wide viewing angle with anti-glare features.
- Power management system conforms to VESA DPMS standard
- Advanced OSD control for picture quality adjustment
- Supports VESA ARMs, Desktop Stand Rear, Panel, Wall and Rack mounting

1.3 Specifications

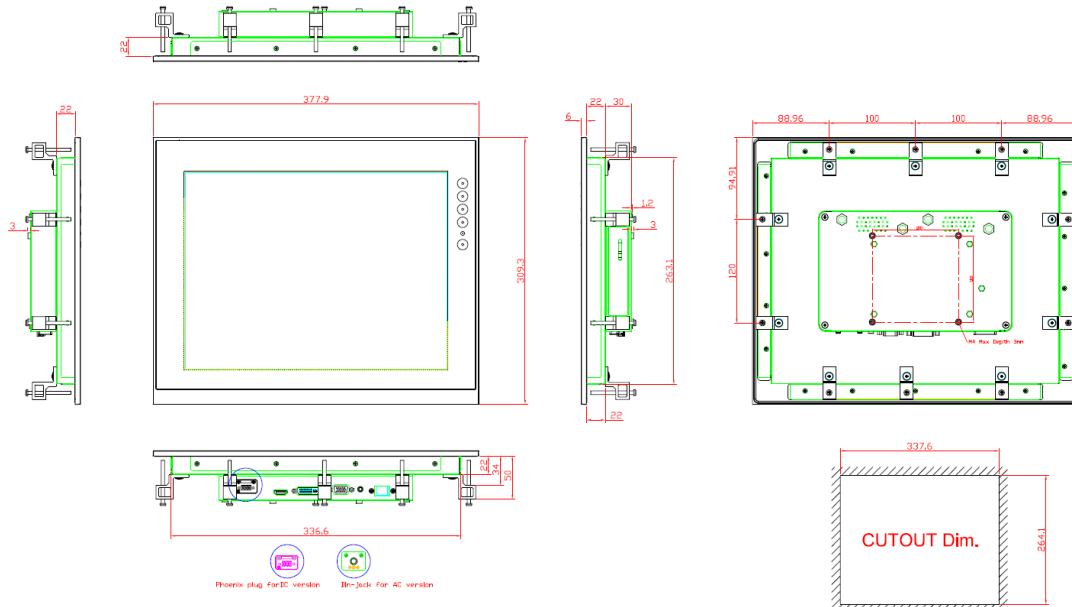
- 15" XGA(1024x768) LCD with LED backlight
- Resistive Touch or glass
- Front bezel design with NEMA4/IP65
- Control: OSD (On Screen Display) control pad on the side
- Mounting: Support Panel mount, VESA arm mount, Wall mount and Rack mount (optional)
- Net Weight
 - P6151P: 3.68KG
 - P6151O:3.12KG
- Dimension (Main Body Size)
 - P6151O: 335X216.5X28.5 mm
 - P6151P: 377.9X309.3X28 mm
- Operation Temperature
 - 0°C to 50°C
- Relative Humidity
 - 20% to 90% @ 40°C, Non-Condensing
- Power input
 - Screw-type external AC or 12V/24VDC-in
 - Max power consumption: 26W



NOTE: All specifications and images are subject to change without notice.

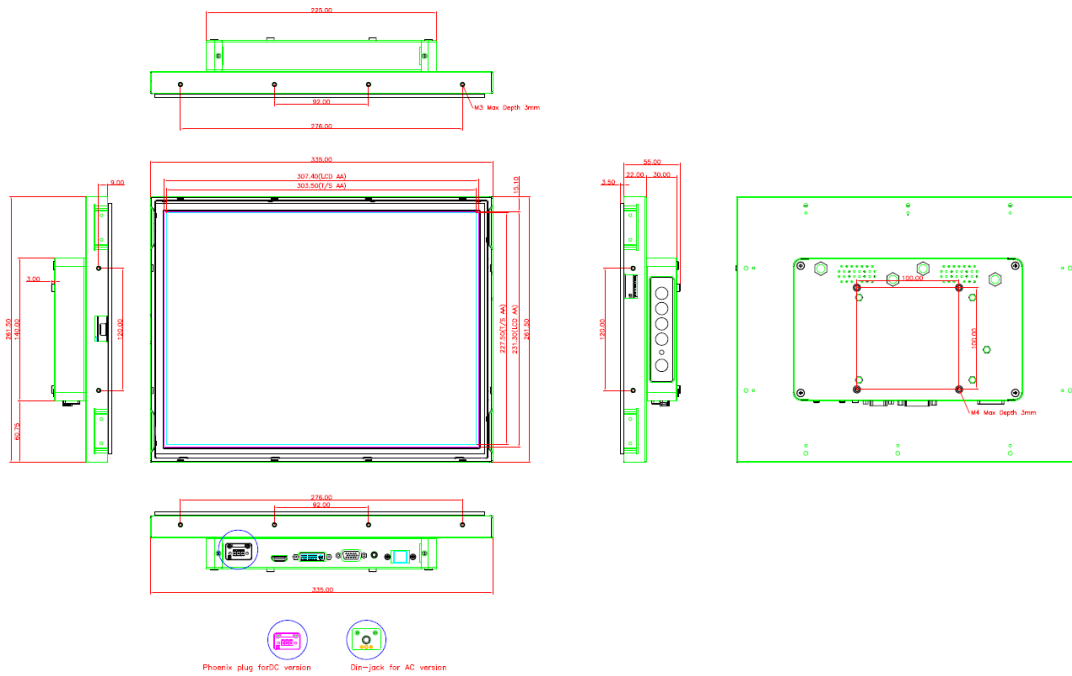
1.4 Dimensions and Outlines

The following diagrams show the dimensions and outlines of P6151
P6151P:



+G-

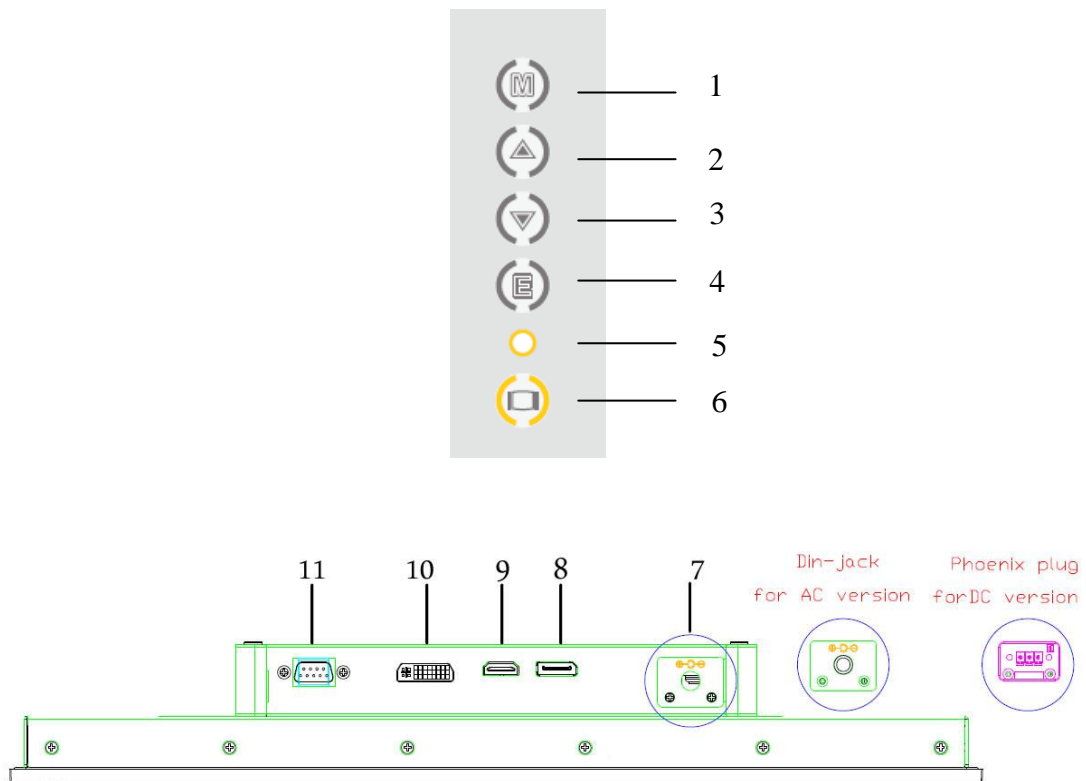
P6151O:



+G-

1.5 I/O Outlets

Please refer to the following illustration for I/O locations of the P6151.



No	Function	No	Function
1	Menu (Enter function)	7	Screw type or Phoenix type power input
2	SEL+	8	DisplayPort
3	SEL-	9	HDMI
4	Exit/Auto Adjust	10	DVI-D
5	Power LED	11	RS-232 or USB for Touch
6	Power Switch		

1.6 Packing List

When you receive the P6151, the bundled package should contain the following items:

- **P6151 unit x 1**
- **VGA cable x1**
- **USB cable or RS-232 cable x1 (for resistive touch version only)**
- **Adaptor x1 (for AC version only)**
- **Panel mount kit x 10**

If you can not find the package or any items are missing, please contact Axiomtek distributors immediately.

This page is intentionally left blank.

Chapter 2

System Setup

This chapter details the system parts and components with figures. Sections include:

- **System Configuration**
- **Panel Mounting**
- **Wall Mounting**
- **VESA Mounting**
- **Rack Mounting**

2.1 System Configuration

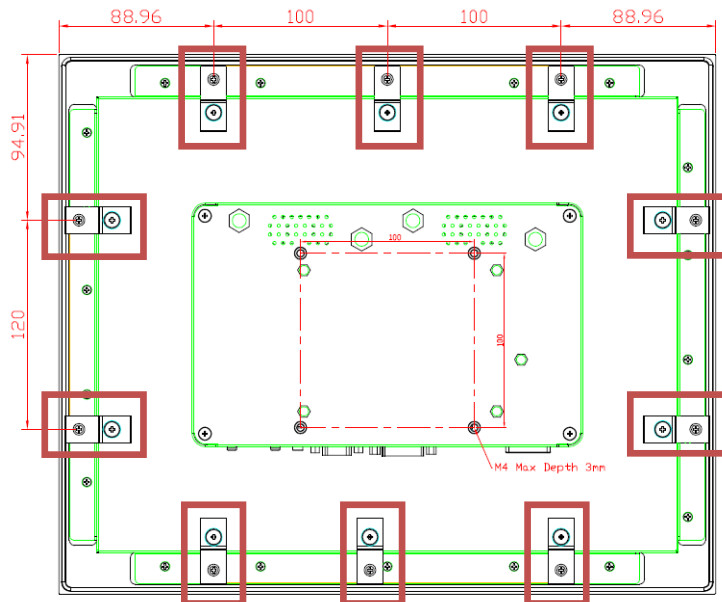
The figure below shows the side views of P6151 series.



- 1. Menu:**
Press this button to turn on/off the OSD (On Screen Display) main menu.
Press this button to activate selected items.
- 2. SEL+:**
To scroll up the menu.
To increase the value of selected item.
- 3. SEL-:**
To scroll down the menu.
To decrease the value of selected item.
- 4. Exit:**
Jump out the selection icon .
Auto adjust.
- 5. Power LED:**
When the light is green, the power is on, red light when stand by.
- 6. Power switch:**
Press this button to turn on/off the monitor.

2.2 Panel Mounting

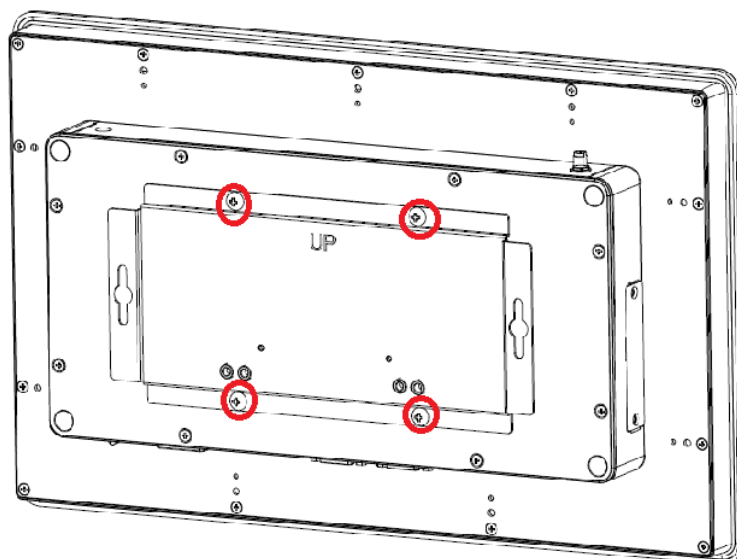
The P6151 is designed for panel mount application. To mount the P6151, the standard set of mounting kit (included in the system packaging) is needed.



▲ P6151 Panel Mount kits

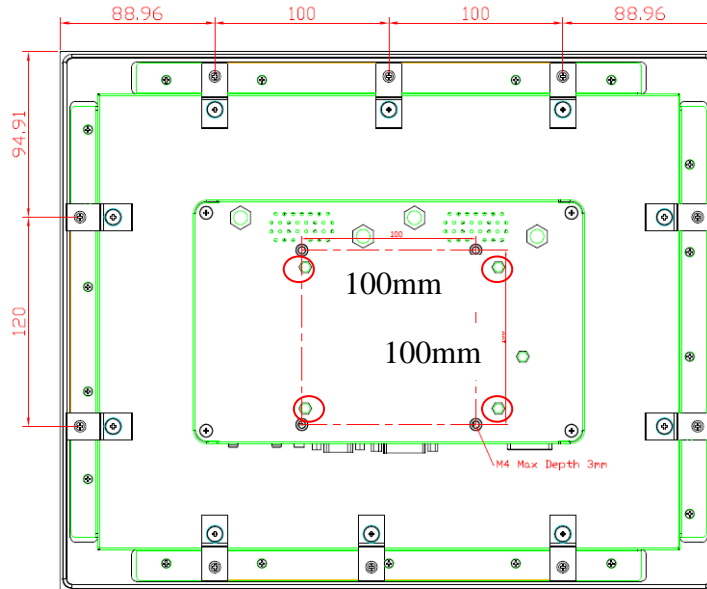
2.3 Wall Mounting

The P6151 provides VESA mount and wall mount. Screw four screws to fix the kit in the back chassis.



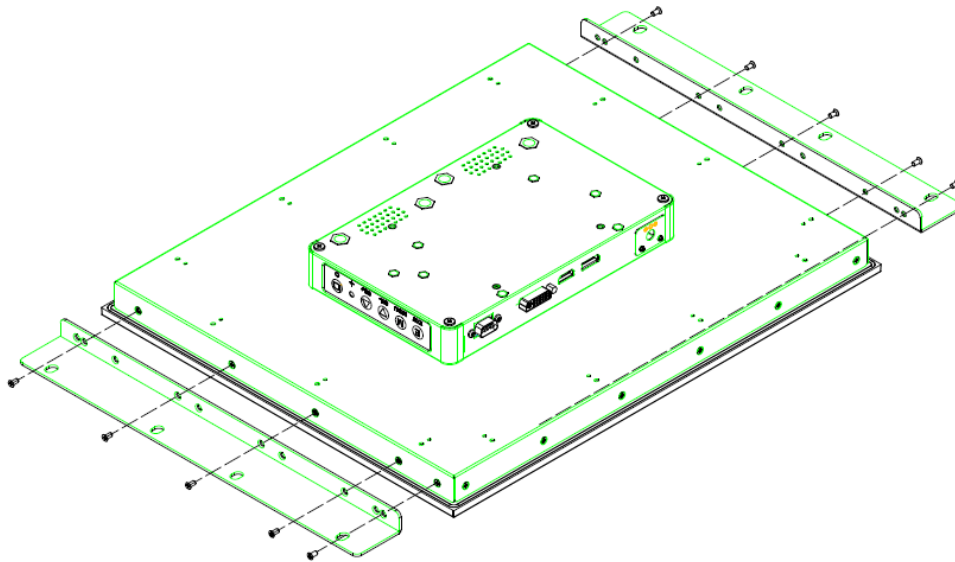
2.4 VESA Mounting

The P6151 provides VESA mount at the back of system. Screw four screws to fix the kit in the back chassis.



2.5 Rack Mounting

The P6151 provides rack mount at the back of system. Screw eight screws to fix the kit in the back chassis.



Appendix A

Supported Input Timing Modes

Supported Input Timing Modes

SPEC MODE	Pixel Freq.	Horizontal Timing				Vertical Timing			
		Sync	Freq.	Total	Active	Sync	Freq.	Total	Active
	MHZ	Polar	KHz	Pixel	Pixel	Polar	Hz	Line	Line
640x350 @70Hz	24.144 VESA	P	31.430	800	640	N	70.000	449	350
640x480 @60Hz	25.175 VESA	N	31.469	800	640	N	59.940	525	480
640x480 @60Hz	25.175 VESA	N	31.469	800	640	N	59.940	525	480
640x480 @72Hz	31.500 VESA	N	37.861	832	640	N	72.809	520	480
640x480 @75Hz	31.500 VESA	N	37.500	840	640	N	75.000	500	480
720x400 @70Hz	28.287 VESA	N	31.430	900	720	P	70.000	449	400
800x600 @56Hz	36.000 VESA	P	35.156	1024	800	P	56.250	625	600
800x600 @60Hz 0	40.000 VESA	P	37.879	1056	800	P	60.317	628	600
800x600 @72Hz	50.000 VESA	P	48.077	1040	800	P	72.188	666	600
800x600 @75Hz	49.500 VESA	P	46.875	1056	800	P	75.000	625	600

MODE \ SPEC	Pixel Freq.	Horizontal Timing				Vertical Timing			
		Sync	Freq.	Total	Active	Sync	Freq.	Total	Active
	MHZ	Polar	KHz	Pixel	Pixel	Polar	Hz	Line	Line
1024x768 @60Hz	65.000 VESA	N	48.363	1344	1024	N	60.005	806	768
1024x768 @60Hz	64.000 VESA	N	48.780	1312	1024	N	60.001	813	768
1024x768 @70Hz	75.000 VESA	N	56.476	1328	1024	N	70.070	806	768
1024x768 @75Hz	80.000 VESA	N	60.241	1328	1024	N	74.927	804	768
1024x768 @75Hz	78.750 VESA	P	60.023	1312	1024	P	75.030	800	768








NOTE: Timing depends on LCD Panel's requirement.

Appendix B

OSD Operation

Function Description of OSD Menu

※The layout and format of OSD depends on customer's request.

OSD MENU	Description
 <p>Luminance</p>	Luminance : <ul style="list-style-type: none"> ● Brightness ● Contrast ● Sharpness
 <p>Pciture</p>	Picture <ul style="list-style-type: none"> ● Phase ● Clock ● H position ● V position
 <p>Color</p>	Color: <ul style="list-style-type: none"> ● Color Temperature (6500,7500,9300,user define) ● Red ● Green ● Blue.
 <p>OSD</p>	OSD Settings : <ul style="list-style-type: none"> ● Horizontal ● Vertical ● Transparency ● OSD Time out .
 <p>Setup</p>	Setup: <ul style="list-style-type: none"> ● Language ● Volume ● Mute ● Input ● Reset

This page is intentionally left blank.