

# MPC152-845

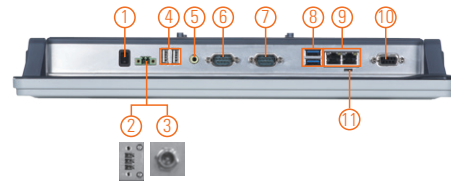
15" XGA TFT Fanless Medical Grade Touch Panel Computer with Intel® Celeron® Processor N3060

## Features

- 15" XGA TFT LCD display with LED backlight
- Fanless design with Intel® Celeron® processor N3060
- 2 GbE LANs, 4 USB and 2 COM
- Plastic and IP65-rated front bezel
- Supports RFID (optional)
- External AT/ATX mode selection switch
- Easy access storage design
- Supports panel mount, wall mount, VESA arm and desktop stand
- Adjustable RS-232/422/485 setting via BIOS
- 4th EN 60601-1 (ESD contact 8kV, air 15kV), CE and FCC



▲ Side view



- |  |                                 |
|--|---------------------------------|
| 1. Power switch (ATX)                    | 7. 1 x RS-232                   |
| 2. Terminal block for DC power input     | 8. 2 x USB 3.0                  |
| 3. Screw connector with AC power adapter | 9. 2 x LAN                      |
| 4. 2 x USB 2.0                           | 10. 8 x DIO (programmable, DB9) |
| 5. 1 x Audio (Line-out)                  | 11. AT/ATX selectable switch    |
| 6. 1 x RS-232/422/485                    | 12. Touch LED indicator         |
|  | 13. Touch on/off button         |
|  | 14. HDD & Power LED indicator   |

## Introduction

The MPC152-845 is a 15" fanless medical touch panel computer. In response to market demand, this medical panel computer is a cost effective solution. It adopts a modern, super sleek and fanless design and is equipped with a 15" TFT LCD. It is powered by the Intel® Celeron® processor N3060 dual core up to 2.48 GHz. For wireless network connection, the MPC152-845 offers 2 PCI Express Mini Card slots. By just plugging in the mini card WLAN card, customers can have instant access to wireless LAN/GPRS/GSM/4G environments. Besides, it provides two types of power input: DC power with terminal block connector and AC power adapter with screw type connector.

### Super Slim & Ultra Lightweight Design

With a thickness of 54.6 mm and weight of 3.2 kg, the MPC152-845 is designed for use in space-constrained environments.

### Certifications

This 15-inch medical panel platform complies with 4th version of EN 60601-1 and CE, FCC Class B certifications to ensure medical operation safety.

### Aluminum Back Chassis with Excellent Thermal Solution

With Axiomtek's patent for plastic plus aluminum mechanism design, the MPC152-845 can dissipate the heat easily and keep the system operation stable.

## Specifications

Front Bezel	IP65, NEMA 4 rugged protection, plastic front bezel		
LCD Panel	Display Type	15" XGA TFT LCD with LED backlight	
	Brightness (cd/m <sup>2</sup> )	420 nits (XGA)	
	Resolution	1024 x 768 (XGA)	
	Viewing Angel (H/V)	160°/160°	
Main System	CPU	Intel® Celeron® processor N3060 2 cores (up to 2.48 GHz)	
	System Memory	1 x 204-pin DDR3L-1600 SO-DIMM, up to 8GB	
	BIOS	AMI UEFI BIOS	
	Storage	1 x 2.5" SATA HDD (9.5 mm height)	
		1 x mSATA	
	Watchdog Timer	255 levels, 0 to 255 sec.	
	Onboard Graphics	Integrated in Intel® GFX	

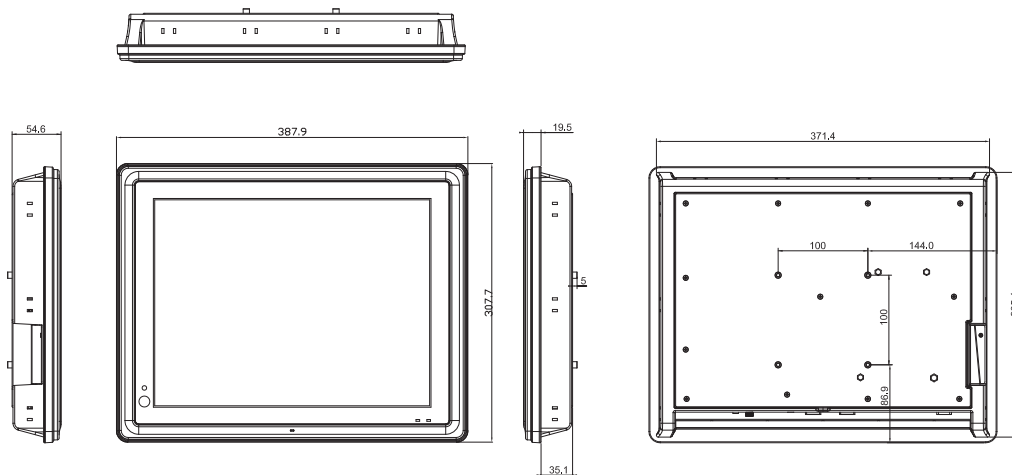
## Specifications

I/O Connector	1 x RS-232 1 x RS-232/422/485 2 x 10/100/1000 Mbps Ethernet 2 x USB 2.0 2 x USB 3.0 1 x Audio (Line-out) 1 x Switch for power on/off 1 x AT/ATX selectable switch 1 x 8-bit DIO (programmable, DB9)
Expansion Interface	1 x Full-size PCI Express Mini Card slot with mSATA 1 x Full-size PCI Express Mini Card slot with SIM
Touchscreen	Resistive type
Power Supply	AC version: 100 to 240 V AC-DC, 65W power adapter DC version: 9 to 36 VDC with over current protection fuse
Power Consumption	32 W
Dimension	387.9 mm (15.27") (W) x 54.6 mm (2.14") (D) x 307.7 mm (12.11") (H)
Packing Dimensions	510 mm (20.08") (W) x 105 mm (4.13") (D) x 385 mm (15.16") (H)
Weight (net/gross)	3.2 kg (7.05 lb)/5.1 kg (11.24 lb)
Operating Temperature	0°C to +40°C (+32°F to +122°F)
Relative Humidity	20% to 90% @ +40°C; non-condensing
Operation Vibration	2G, 5 - 500Hz, random for SSD
Certifications	4th EN 60601-1 (ESD contact 8KV, air 15KV), CE and FCC

## Packing List

1 x MPC152-845
1 x Driver CD
1 x Adapter (MPC152-845-J)
1 x Power cord (MPC152-845-J)
1 x Phoenix connector (MPC152-845 DC)

## Dimensions



## Ordering Information

Standard	
MPC152-845-J	15" XGA fanless medical touch panel computer with Intel® Celeron® processor N3060, 5-wire resistive touch screen, AC-DC 65W power adapter (screw type connector) and EMI class B
MPC152-845-DC	15" XGA fanless medical touch panel computer with Intel® Celeron® processor N3060, 5-wire resistive touch screen and DC power input (terminal block connector)

## Optional Accessories

Wi-Fi + Bluetooth kit	
881251520A0E	Panel mount kit
881251521A0E	Wall mount kit
E226171119	Stand kit
881251203A0E	RFID kit

\*Specifications and certifications may vary based on different requirements.

## Optional EOS Installation

WES 7
WE8S (64-bit)

## Optional OS Installation

Windows® 7
Windows® 8.1 (64-bit)
Windows® 10



1

2

3

4

5

6

7

8

9