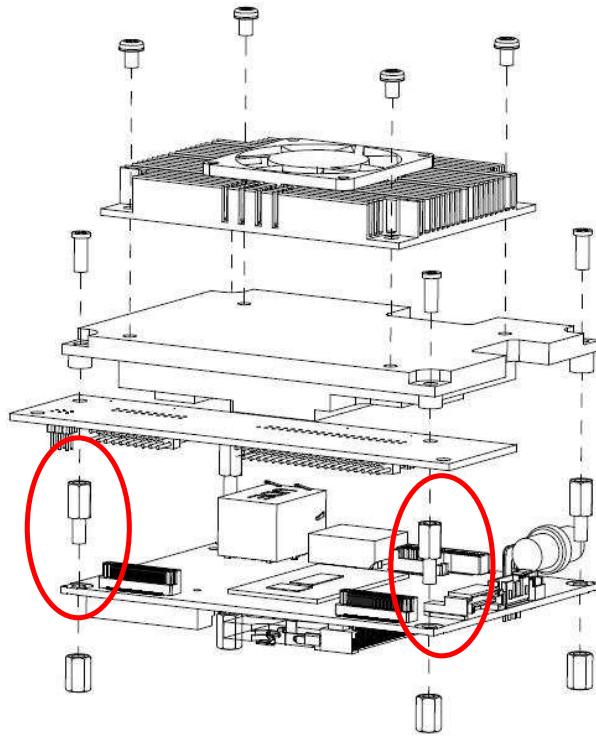


## Assembly Drawing



**Note:** The two 8mm height copper M-F hex stand-offs (P/N: 79380363600E) which are circled are placed in the AX93292 gift box. Please use them to ensure AX93292 fully installed on Pico-ITX board.

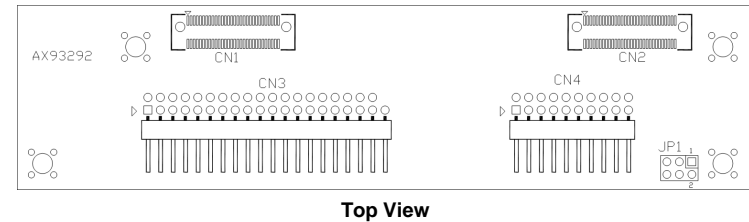
## AX93292 Quick Installation Guide

### Checklist

- ✓ I/O Board x1
- ✓ Quick Installation Guide x1
- ✓ Copper M-F hex stand-off x2
- ✓ Screw x2

**Note:** Please contact your local vendors if any damaged or missing items. DO NOT apply power to the board if there is any damaged component.

### Board Layout



### Jumper and Switch Settings

Before applying power to the AX93292, please make sure all of the jumpers and switch are in factory default positions.

Jumper	Description	Setting	
JP1	COM1 Data/Power Selection	Power: Set CN4 pin 11 to +5V level	1-3 Close
		RS-232 Data: Set CN4 pin 11 to DCD (Default)	3-5 Close
		Power: Set CN4 pin 18 to +12V level	2-4 Close
		RS-232 Data: Set CN4 pin 18 to RI (Default)	4-6 Close

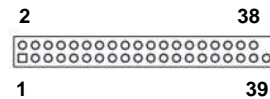
## Connectors

Connector	Description
CN1	High Speed Board to Board Connector 1
CN2	High Speed Board to Board Connector 2
CN3	Low Speed IO Connector
CN4	COM1 and COM2 Connector

### Low Speed IO Connector (CN3)

This is a 39-pin connector which is compliant with AMP 4-1734507-0 for low speed signal interface consisting of a set of HD Audio, four USB 2.0 ports, power/reset button and power/HDD LED indicator signals.

Pin	Signal	Pin	Signal
1	MIC	2	LINE_OUT_L
3	LINE_IN_L	4	LINE_OUT_R
5	LINE_IN_R	6	AUDIO_GND
7	AUDIO_GND	8	GND
9	GND	10	GND
11	USB_VCC (+5V level)	12	USB_VCC (+5V level)
13	USB_Data0-	14	USB_Data1-
15	USB_Data0+	16	USB_Data1+
17	GND	18	GND
19	GND	20	GND
21	USB_VCC (+5V level)	22	USB_VCC (+5V level)
23	USB_Data2-	24	USB_Data3-
25	USB_Data2+	26	USB_Data3+
27	GND	28	GND
29	GND	30	GND
31	+V5S	32	SIO_PSIN#
33	HW_RESET#	34	GND
35	+V5S	36	NA
37	HDD_LED	38	NA
39	GND		



### COM1 and COM2 Connector (CN4)

This is a 2x10-pin connector which is compliant with AMP 2-1734507-0 for COM1 and COM2 serial port interface. Only COM1 port has +5V level power capability on DCD and +12V level on RI by setting JP1. The COM1 supports RS-232/422/485 mode while COM2 supports only RS-232. Pin assignments of RS-232/422/485 are listed in table below.

Pin	RS-232	RS-422	RS-485
1	DCD2		
2	DSR2		
3	RXD2		
4	RTS2		
5	TXD2		
6	CTS2		
7	DTR2		
8	RI2		
9	GND	GND	GND
10	+V5S	+V5S	+V5S
11	DCD1	TX-	Data-
12	DSR1	No use	No use
13	RXD1	TX+	Data+
14	RTS1	No use	No use
15	TXD1	RX+	No use
16	CTS1	No use	No use
17	DTR1	RX-	No use
18	RI1	No use	No use
19	GND	GND	GND
20	+V5S	+V5S	+V5S

