



www.axiomtek.com



2022

Embedded Automation Computers

Table of Contents

Systems and Platforms

1 Embedded Systems

| | | |
|-----------------|---|----|
| Selection Guide | | 10 |
| eBOX100-312-FL | Fanless Embedded System with Intel® Celeron® N3350 or Pentium® N4200, 2 HDMI, 2 GbE LAN, and 6 USB | 19 |
| eBOX100-51R-FL | Fanless Ultra Compact Embedded System with Intel® Core™ i5-7300U or Celeron® 3965U, DisplayPort++, 2 COM, 4 USB, and 2 GbE LAN | 20 |
| eBOX560-52R-FL | Fanless Embedded System with Intel® Core™ i5-8365UE or Celeron® 4305UE, HDMI, DisplayPort++, 2 GbE LAN, 2 COM, 4 USB, and 12 VDC Power Input | 21 |
| eBOX560-500-FL | Fanless Embedded System with Intel® Core™ i7-6600U/i5-6300U/i3-6100U or Celeron® 3955U, 2 HDMI, 2 GbE LAN, 4 USB 3.0, 2 COM, and PCI Express Mini Card Slot | 22 |
| eBOX560-512-FL | Fanless Embedded System with Intel® Core™ i5-7300U/i3-7100U or Celeron® 3965U, 2 HDMI, 2 GbE LAN, 4 USB 3.0, and PCI Express Mini Card Slot | 23 |
| eBOX560-900-FL | Fanless Edge AI System with NVIDIA® Jetson™ TX2, HDMI 2.0, 2 GbE LAN, and USB | 24 |
| eBOX565-52R-FL | Fanless Embedded System with Intel® Core™ i5-8365UE or Celeron® 4305UE, HDMI, DisplayPort++, 2 GbE LAN, 2 COM, 4 USB, and 9 to 36 VDC Power Input | 25 |
| eBOX565-500-FL | Fanless Embedded System with Intel® Core™ i5-6300U/i3-6100U or Celeron® 3955U, 2 HDMI, 2 GbE LAN, 4 USB 3.0, 2 COM, and 9 to 36 VDC | 26 |
| eBOX625-312-FL | Fanless Embedded System with Intel® Celeron® N3350 or Pentium® N4200, HDMI, VGA, 2 GbE LAN, 6 USB, and 3 COM | 27 |
| eBOX625-853-FL | Fanless Embedded System with Intel® Celeron® N3160, VGA, HDMI, 4 COM, 2 GbE LAN, 4 USB, and 2 PCI Express Mini Card Slots | 28 |
| eBOX626-311-FL | Fanless Embedded System with Intel Atom® x5-E3940, HDMI, VGA, 2 GbE LAN, 6 USB, and 3 COM | 29 |
| eBOX626-853-FL | Fanless Embedded System with Intel® Celeron® N3160, VGA, HDMI, 4 COM, 2 GbE LAN, 4 USB, 2 PCI Express Mini Card Slots, and 9 to 36 VDC | 30 |
| eBOX627-312-FL | Fanless Embedded System with Intel® Celeron® N3350 or Pentium® N4200, HDMI, 2 GbE LAN, 6 USB, 4 COM, and 9 to 36 VDC | 31 |

| | | |
|--|---|----|
| eBOX630-528-FL | Fanless Embedded System with 8th Gen Intel® Core™ i7/i5/i3 or Celeron® ULT, 2 HDMI, VGA, 3 GbE LAN, 6 USB, Dual PCI Express Mini Card Slots, and 9 to 36 VDC | 32 |
| eBOX638-842-FL | Fanless Embedded System with Intel® Celeron® J1900, VGA, HDMI, 4 COM, 6 USB, Dual Expansion Slots, and 9 to 36 VDC | 33 |
| eBOX640-500-FL | Fanless Embedded System with LGA1151 Socket 7th/6th Gen Intel® Core™ or Celeron®, Intel® H110, HDMI, DisplayPort, VGA, 6 USB, 4 COM, PCI Express Mini Card Slot, and 10 to 30 VDC | 34 |
| eBOX640-521-FL | Fanless Embedded System with LGA1151 Socket 9th/8th Gen Intel® Core™ or Celeron®, Intel® H310, HDMI, DisplayPort, 6 USB, 2 COM, and 8-CH DI/DO | 35 |
| eBOX670-891-FL | Fanless Embedded System with LGA1151 Socket 7th/6th Gen Intel® Core™ or Celeron®, Intel® Q170, 2 HDMI, DisplayPort, 4 GbE LAN, 8 USB, and 2 PCI Express Mini Card Slots | 36 |
| eBOX671-517-FL | Fanless Embedded System with LGA1151 Socket 7th/6th Gen Intel® Core™ i7/i5/i3 or Celeron®, Intel® Q170, HDMI, DVI-D, VGA, 8-CH PoE, 6 USB, and 24 VDC | 37 |
| eBOX671-521-FL | Fanless Embedded System with LGA1151 9th/8th Gen Intel® Core™ i7/i5/i3 or Celeron®, 4-CH PoE, and MXM 3.1 Type A | 38 |
|  eBOX671A | Fanless Embedded System with LGA1200 Socket 10th Gen Intel® Core™ i9/i7/i5/i3 or Celeron®, Intel® W480E, HDMI, DisplayPort, 6 USB, 4 LAN, and 9 to 48 VDC | 39 |
| eBOX700-891-FL | Fanless Embedded System with LGA1151 Socket 7th/6th Gen Intel® Core™ i7/i5/i3 or Celeron®, Intel® H110, 2 HDMI, DisplayPort, 4 GbE LAN, 6 USB, PCIe x4, PCI Slot, and 9 to 36 VDC | 40 |
| eBOX710-521-FL | Fanless Embedded System with LGA1151 Intel® Xeon®, 9th/8th Gen Intel® Core™ i7/i5/i3 or Celeron®, Intel® C246, ECC/Non-ECC, and 1 PCIe x4 Slot | 41 |
| eBOX800-511-FL | Rugged IP67-rated Fanless Embedded System with Intel® Core™ i5-7300U or Celeron® 3965U, VGA, GbE LAN, 2 USB, 2 COM, and 9 to 36 VDC | 42 |
| eBOX800-841-FL | Rugged IP67-rated Fanless Embedded System with Intel Atom® E3845, VGA, 2 GbE LAN, 2 USB, 2 COM, and 9 to 36 VDC | 43 |
| eBOX800-900-FL | Rugged IP67-rated Fanless Edge AI System with NVIDIA® Jetson™ TX2, HDMI, GbE LAN, 1-CH PoE, USB 2.0, and 100 to 240 VAC | 44 |

2 DIN-rail Embedded Systems


| | | |
|-------------------------------------|--|----|
| Selection Guide | | 47 |
| x86-based DIN-rail Embedded Systems | | |
| IC0100-839 | Robust DIN-rail Fanless Embedded System with Intel® Celeron® N3350, 2 COM, LAN, 2 USB, and DIO | 53 |
| IC0120-83D | Robust DIN-rail Fanless Embedded System with Intel® Celeron® N3350, COM or CAN, 2 LAN, 2 USB, and DIO | 55 |
| IC0300 | Robust DIN-rail Fanless Embedded System with Intel Atom® E3815/E3827, 4 COM, 2 LAN, DIO, and RTC | 57 |
| IC0300-83B | Robust DIN-rail Fanless Embedded System with Intel® Celeron® N3350 or Pentium® N4200, Isolated COM, LAN, and DIO | 59 |
| IC0300-83M | ATEX/CID2 Certified DIN-rail Fanless Embedded System with Intel Atom® x5-E3930, Isolated COM, LAN, and DIO | 61 |

| | | |
|--------------|---|----|
| IC0310 | Robust DIN-rail Fanless Embedded System with Intel® Celeron® N3060/N3160, 2 COM, 4 USB, 2 GbE LAN (1 PoE PD), DIO, and RTC | 63 |
| IC0320-83C | Robust DIN-rail Fanless Embedded System with Intel® Celeron® N3350, COM, CAN, PoE LAN, and DIO | 65 |
| IC0500-518 | Robust DIN-rail Fanless Embedded System with 7th Gen Intel® Core™ i7/i5/i3 or Celeron®, and Dual Modular I/O Expansion Design | 67 |
| rBOX510-6COM | Robust DIN-rail Fanless Embedded System with Intel Atom® E3827, Isolated COM, LAN, and DIO with ATEX/CID2 Certification | 69 |

RISC-based DIN-rail Embedded Systems

| | | |
|----------------|---|----|
| Agent200-FL-DC | Robust RISC-based DIN-rail Fanless Embedded System with i.MX 6UL, COM, LAN, DIO (4-in/4-out), and CANBus | 71 |
| IRU151 | Robust RISC-based DIN-rail Fanless Embedded System with i.MX 6UL, COM, LAN, DIO (2-in/2-out), 4 AI Channels (16-bit, 100 S/s), and 2 PCIe Mini Card Slots | 73 |
| IRU151-I | Robust RISC-based DIN-rail Fanless Embedded System with i.MX 6UL, DIO (2-in/2-out), 4 AI Channels (16-bit, 100 S/s, ±20mA), and 2 PCIe Mini Card Slots | 75 |
| IFB122 | Robust RISC-based DIN-rail Fanless Embedded System with i.MX 6UL, 2 COM, 2 LAN, and DIO (2-in/1-out) | 77 |
| rBOX630 | Robust RISC-based DIN-rail Fanless Embedded System with i.MX 6, 4 COM, 2 CAN Bus, and DIO | 79 |




DIN-Rail Cybersecurity Gateway

| | | |
|--|---|----|
| iNA100 | DIN-Rail Cybersecurity Gateway with Intel Atom® x5-E3930 and 4 LAN | 81 |
|  iNA200 | DIN-rail Cybersecurity Gateway with Intel Atom® x6212RE/x6414RE and up to 6 LAN | 82 |

3 Industrial Systems

| | |
|-----------------|----|
| Selection Guide | 84 |
|-----------------|----|

Industrial Systems

| | | |
|--|--|----|
|  IPC950 | Fanless Industrial System with Intel® Core® i7/i5/i3 or Celeron® 6305E, and Front Access I/O | 87 |
| IPC960-525 | Fanless Industrial System with LGA1151 Socket 9th/8th Gen Intel® Core™ i7/i5/i3 or Celeron®, Intel® H310/Intel® Q370, and Front-access I/O | 89 |
| IPC962-525 | 2-slot Industrial System with LGA1151 Socket 9th/8th Gen Intel® Core™ i7/i5/i3 or Celeron®, Intel® H310/Intel® Q370, Front-access I/O, PCIe, and PCI Slots | 91 |
| IPC964-525 | 4-slot Industrial System with LGA1151 Socket 9th/8th Gen Intel® Core™ i7/i5/i3 or Celeron®, Intel® Q370, Front-access I/O, PCIe, and PCI Slots | 93 |
|  IPC970 | Industrial System with LGA1200 Socket 10th Gen Intel® Xeon® and Core™ i7/i5/i3, Intel® W480E, Front-access I/O, and PCIe Slots | 95 |
|  IPC972 | Industrial System with LGA1200 Socket 10th Gen Intel® Xeon® and Core™ i7/i5/i3, Intel® W480E, Front-access I/O, and 2 PCIe x16 Slots | 97 |

Rackmount GPU Workstation

| | | |
|---|---|----|
|  iHPC300 | 4U Rackmount GPU Workstation with 3rd Gen Intel® Xeon® Scalable Processors and Multiple Accelerator Cards | 99 |
|---|---|----|

4 Edge AI Systems

| | | |
|--------------------------|--|-----|
| Selection Guide | | 101 |
| AIE100-903-FL | Fanless Edge AI System with NVIDIA® Jetson Nano™, HDMI, GbE LAN, GbE PoE, and 2 USB | 104 |
| AIE100-903-FL-NX | Fanless Edge AI System with NVIDIA® Jetson Xavier™ NX, HDMI, GbE LAN, GbE PoE, 2 USB, and Allxon Device Management Solutions | 105 |
| NEW AIE100-T2NX | Fanless Edge AI System with NVIDIA® Jetson™ TX2 NX, HDMI, GbE LAN, GbE PoE, 2 USB, and Remote Management Service Empowered by Allxon | 106 |
| AIE500-901-FL | Fanless Edge AI System with NVIDIA® Jetson™ TX2 Series, HDMI, 2 GbE LAN, 2 USB, 2 COM or 2 CAN, and 12 or 24 VDC | 107 |
| AIE800-904-FL | Rugged IP67-rated Fanless Edge AI System with NVIDIA® Jetson Xavier™ NX, HDMI, GbE PoE, USB, and 100 to 240 VAC | 108 |
| NEW AIE900-902-FL | Fanless Edge AI System with NVIDIA® Jetson AGX Xavier™, 2 HDMI, 2 GbE LAN, 4 GbE PoE, 6 USB, 2 COM or 2 CAN, and 8-CH DI/DO | 109 |
| NEW AIE900-XXN | Fanless Edge AI System with NVIDIA® Jetson Xavier™ NX, HDMI, GbE LAN, 4 GbE PoE, 8-CH DI/DO, and 2 COM/CAN for 5G and AMR Applications | 110 |

5 Machine Vision Systems

| | | |
|--------------------------|---|-----|
| Selection Guide | | 112 |
| NEW MVS100-323-FL | Mini Vision System with Intel Atom® x5-E3940 Processor, Vision I/O, 2-CH PoE, and 2-CH LED Output | 113 |
| MVS900-511-FL | Fanless Vision System with LGA1151 Socket 7th/6th Gen Intel® Core™ i7/i5/i3 or Celeron® Processor, Intel® H110 with Vision I/O, 4-CH PoE, and 4-CH LED Output | 115 |

6 Industrial Chassis (include Embedded MicroBoxes)

| | | |
|---------------------|--|-----|
| Selection Guide | | 118 |
| Embedded MicroBoxes | | |
| ECM100 | Embedded Chassis for Mini-ITX SBC | 120 |
| ECM300 | Embedded Chassis with 2 Expansion Slots for Mini-ITX SBC | 121 |
| Industrial Chassis | | |
| AX60501 | 6-slot ShoeBox Chassis | 122 |
| AX60810 | Wall Mount Chassis for ATX and Micro-ATX Motherboard | 124 |
| AX61135TM | 1U Expandability Rackmount Chassis for ATX Motherboard | 126 |
| AX61223TM | 2U Rackmount Chassis for ATX/Micro ATX Motherboard | 128 |
| AX61410 | 4U 14-slot Rackmount Chassis | 130 |
| AX6156LE | 4U 14-slot Rackmount Chassis | 132 |



New Product Highlights

Embedded Systems



eBOX671A >>Page 39

Fanless Embedded System with LGA1200 Socket 10th Gen Intel® Core™ i9/i7/i5/i3 or Celeron®, Intel® W480E, HDMI or DisplayPort, 6 USB, 4 LAN, and 9 to 48 VDC

- LGA1200 socket 10th gen Intel® Core™ i9/i7/i5/i3 or Celeron® with Intel® W480E chipset (Comet Lake-S)
- Dual 2.5" SATA HDD drive bays with RAID 0 & 1
- 2 HDMI and DisplayPort for triple view
- AXView intelligent remote monitoring software for IIoT

DIN-rail Embedded Systems



iNA200 >>Page 82

DIN-rail Cybersecurity Gateway with Intel Atom® x6212RE/x6414RE and up to 6 LAN

- Intel Atom® x6212RE/x6414RE processor (Elkhart Lake)
- DDR4-3200 SO-DIMM, up to 32GB
- 2 GbE, two 2.5GbE and 2 SFP
- Wide operating temperature from -40°C to 75°C
- Wide power input of 9 to 36 VDC with redundant backup input
- Supports 5G with M.2 Key B 3042/3052
- Supports TPM 2.0
- Ideal for OT field site cybersecurity and secured edge

Industrial Systems



IPC950 >>Page 87

Fanless Industrial System with Intel® Core® Processor i7/i5/i3 or Celeron® 6305E Processor and Front Access I/O

- Intel® Core® i7/i5/i3 processor (Tiger Lake U), 15W
- Flexible I/O module for further expansion
- M.2 Key E socket for wireless connection
- 2 DisplayPort
- Supports TPM 2.0
- Supports Intel® iAMT
- Optional 1 PCIe x4 slot expansion kit
- Optional DIN-rail, bookshelf and wall mount

Industrial Systems



IPC970 >>Page 95

Industrial System with LGA1200 Socket 10th Gen Intel® Xeon® and Core™ i7/i5/i3, Intel® W480E, Front-access I/O, and PCIe Slots

- 10th Gen Intel® Xeon® and Core™ i7/i5/i3 processors, up to 80W
- Intel® W480E chipset
- NVIDIA® RTX3090 GPU card
- Supports M.2 Key B slot for 5G wireless connection
- Supports M.2 Key E slot for Wi-Fi connection
- Supports RAID 0,1
- Supports power-on delay function
- Supports TPM 2.0



IPC972 >>Page 97

Industrial System with LGA1200 Socket 10th Gen Intel® Xeon® and Core™ i7/i5/i3, Intel® W480E, Front-access I/O, and 2 PCIe x16 Slots

- LGA1200 Intel® Xeon® and 10th Gen Core™ i7/i5/i3 processors, up to 80W
- Intel® W480E chipset
- NVIDIA® RTX3090 GPU card
- Supports M.2 Key B slot for 5G wireless connection
- Supports M.2 Key E slot for Wi-Fi connection
- Supports RAID 0,1
- Supports power-on delay function
- Supports TPM 2.0



iHPC300 >>Page 99

4U Rackmount GPU Workstation with 3rd Gen Intel® Xeon® Scalable Processors and Multiple Accelerator Cards

- LGA4189 socket 3rd Intel® Xeon® Scalable processors, up to 270W, 40 cores
- 6 DDR4-3200 R-DIMM un-buffered non-ECC/ECC memory, up to 384GB
- PCIe x16 and 3 PCIe x8 in support of up to 6 accelerator cards
- Supports M.2 Key M 2280
- Supports TPM 2.0 (optional)

Edge AI Systems



AIE100-T2NX >>Page 106

Fanless Edge AI System with NVIDIA® Jetson™ TX2 NX, HDMI, GbE LAN, GbE PoE, 2 USB, and Allxon Device Management Solutions

- NVIDIA® Jetson™ TX2 NX with Pascal™ architecture GPU with 256 CUDA cores
- High AI computing performance for GPU-accelerated processing
- Ideal for edge AI smart city applications
- Supports one 15W GbE PoE for camera
- Wide operating temperature from -30°C to +60°C
- Supports JetPack
- Supports Allxon Device Management Solutions (Allxon DMS)



Ege AI Systems



AIE900-902-FL >>Page 109

Fanless Edge AI System with NVIDIA® Jetson AGX Xavier™, 2 HDMI, 2 GbE LAN, 4 GbE PoE, 6 USB, 2 COM or 2 CAN, and 8-CH DI/DO

- NVIDIA® Jetson AGX Xavier™ with 512-core Volta GPU with 64 Tensor cores GPU
- High AI computing performance for GPU-accelerated processing
- Ideal for intelligent edge applications, AGV, AMR, and computer vision
- Supports M.2 NVMe PCIe x4 SSD slot
- Wide operating temperature from -30°C to +50°C
- Supports JetPack



AIE900-XNX >>Page 110

Fanless Edge AI System with NVIDIA® Jetson Xavier™ NX, HDMI, GbE LAN, 4 GbE PoE, 8-CH DI/DO, and 2 COM/CAN for 5G and AMR Applications

- NVIDIA® Jetson Xavier™ NX with 384-core NVIDIA Volta™ GPU
- 1 M.2 Key B slot for 5G
- Wide power input range of 9 to 36 VDC (ignition by option)
- Supports four PoE for GigE cameras and LiDAR connectivity
- -30°C to +60°C operating temperature range
- Supports device management and optional out-of-band service powered by Allxon
- Optional SerDes FPD-LINK III

Machine Vision Systems



MVS100-323-FL >>Page 113

Mini Vision System with Intel Atom® x5-E3940 Processor, 257Vision I/O, 2-CH PoE, and 2-CH LED Outputs


- Integrated real-time vision I/O
 - 2-CH trigger input
 - 2-CH trigger output
 - 2-CH LED lighting control
 - 4-CH isolated DIO
- Supports camera interfaces
 - 2 IEEE802.3af GbE LAN ports (PoE)
- Power input: 24 VDC
- -10°C to +55°C operating temperature range
- Supports TPM 2.0

1

Embedded Systems

Axiomtek offers a full range of expandable, high performance and industry-specific embedded systems (eBOX). The eBOX products are designed to offer great versatility for a wide variety of applications. These feature-rich, industrial-grade embedded systems can be tailored to meet different application requirements. The eBOX offers standard features that include powerful computing capabilities, fanless operation, wide operating temperature ranges, low power consumption, superior reliability, flexible I/O configurations, long product life cycles, and long-term support.

| | | |
|-----------------|---|----|
| Selection Guide | | 10 |
| eBOX100-312-FL | Fanless Embedded System with Intel® Celeron® N3350 or Pentium® N4200, 2 HDMI, 2 GbE LAN, and 6 USB | 19 |
| eBOX100-51R-FL | Fanless Ultra Compact Embedded System with Intel® Core™ i5-7300U or Celeron® 3965U, DisplayPort++, 2 COM, 4 USB, and 2 GbE LAN | 20 |
| eBOX560-52R-FL | Fanless Embedded System with Intel® Core™ i5-8365UE or Celeron® 4305UE, HDMI, DisplayPort++, 2 GbE LAN, 2 COM, 4 USB, and 12 VDC Power Input | 21 |
| eBOX560-500-FL | Fanless Embedded System with Intel® Core™ i7-6600U/i5-6300U/i3-6100U or Celeron® 3955U, 2 HDMI, 2 GbE LAN, 4 USB 3.0, 2 COM, and PCI Express Mini Card Slot | 22 |
| eBOX560-512-FL | Fanless Embedded System with Intel® Core™ i5-7300U/i3-7100U or Celeron® 3965U, 2 HDMI, 2 GbE LAN, 4 USB 3.0, and PCI Express Mini Card Slot | 23 |
| eBOX560-900-FL | Fanless Edge AI System with NVIDIA® Jetson™ TX2, HDMI 2.0, 2 GbE LAN, and USB | 24 |
| eBOX565-52R-FL | Fanless Embedded System with Intel® Core™ i5-8365UE or Celeron® 4305UE, HDMI, DisplayPort++, 2 GbE LAN, 2 COM, 4 USB, and 9 to 36 VDC Power Input | 25 |
| eBOX565-500-FL | Fanless Embedded System with Intel® Core™ i5-6300U/i3-6100U or Celeron® 3955U, 2 HDMI, 2 GbE LAN, 4 USB 3.0, 2 COM, and 9 to 36 VDC | 26 |
| eBOX625-312-FL | Fanless Embedded System with Intel® Celeron® N3350 or Pentium® N4200, HDMI, VGA, 2 GbE LAN, 6 USB, and 3 COM | 27 |
| eBOX625-853-FL | Fanless Embedded System with Intel® Celeron® N3160, VGA, HDMI, 4 COM, 2 GbE LAN, 4 USB, and 2 PCI Express Mini Card Slots | 28 |

| | | |
|--|---|----|
| eBOX626-311-FL | Fanless Embedded System with Intel Atom® x5-E3940, HDMI, VGA, 2 GbE LAN, 6 USB, and 3 COM | 29 |
| eBOX626-853-FL | Fanless Embedded System with Intel® Celeron® N3160, VGA, HDMI, 4 COM, 2 GbE LAN, 4 USB, 2 PCI Express Mini Card Slots, and 9 to 36 VDC | 30 |
| eBOX627-312-FL | Fanless Embedded System with Intel® Celeron® N3350 or Pentium® N4200, HDMI, 2 GbE LAN, 6 USB, 4 COM, and 9 to 36 VDC | 31 |
| eBOX630-528-FL | Fanless Embedded System with 8th Gen Intel® Core™ i7/i5/i3 or Celeron® ULT, 2 HDMI, VGA, 3 GbE LAN, 6 USB, Dual PCI Express Mini Card Slots, and 9 to 36 VDC | 32 |
| eBOX638-842-FL | Fanless Embedded System with Intel® Celeron® J1900, VGA, HDMI, 4 COM, 6 USB, Dual Expansion Slots, and 9 to 36 VDC | 33 |
| eBOX640-500-FL | Fanless Embedded System with LGA1151 Socket 7th/6th Gen Intel® Core™ or Celeron®, Intel® H110, HDMI, DisplayPort, VGA, 6 USB, 4 COM, PCI Express Mini Card Slot, and 10 to 30 VDC | 34 |
| eBOX640-521-FL | Fanless Embedded System with LGA1151 Socket 9th/8th Gen Intel® Core™ or Celeron®, Intel® H310, HDMI, DisplayPort, 6 USB, 2 COM, and 8-CH DI/DO | 35 |
| eBOX670-891-FL | Fanless Embedded System with LGA1151 Socket 7th/6th Gen Intel® Core™ or Celeron®, Intel® Q170, 2 HDMI, DisplayPort, 4 GbE LAN, 8 USB, and 2 PCI Express Mini Card Slots | 36 |
| eBOX671-517-FL | Fanless Embedded System with LGA1151 Socket 7th/6th Gen Intel® Core™ i7/i5/i3 or Celeron®, Intel® Q170, HDMI, DVI-D, VGA, 8-CH PoE, 6 USB, and 24 VDC | 37 |
| eBOX671-521-FL | Fanless Embedded System with LGA1151 9th/8th Gen Intel® Core™ i7/i5/i3 or Celeron®, 4-CH PoE, and MXM 3.1 Type A | 38 |
|  eBOX671A | Fanless Embedded System with LGA1200 Socket 10th Gen Intel® Core™ i9/i7/i5/i3 or Celeron®, Intel® W480E, HDMI, DisplayPort, 6 USB, 4 LAN, and 9 to 48 VDC | 39 |
| eBOX700-891-FL | Fanless Embedded System with LGA1151 Socket 7th/6th Gen Intel® Core™ i7/i5/i3 or Celeron®, Intel® H110, 2 HDMI, DisplayPort, 4 GbE LAN, 6 USB, PCIe x4, PCI Slot, and 9 to 36 VDC | 40 |
| eBOX710-521-FL | Fanless Embedded System with LGA1151 Intel® Xeon®, 9th/8th Gen Intel® Core™ i7/i5/i3 or Celeron®, Intel® C246, ECC/Non-ECC, and 1 PCIe x4 Slot | 41 |
| eBOX800-511-FL | Rugged IP67-rated Fanless Embedded System with Intel® Core™ i5-7300U or Celeron® 3965U, VGA, GbE LAN, 2 USB, 2 COM, and 9 to 36 VDC | 42 |
| eBOX800-841-FL | Rugged IP67-rated Fanless Embedded System with Intel Atom® E3845, VGA, 2 GbE LAN, 2 USB, 2 COM, and 9 to 36 VDC | 43 |
| eBOX800-900-FL | Rugged IP67-rated Fanless Edge AI System with NVIDIA® Jetson™ TX2, HDMI, GbE LAN, 1-CH PoE, USB 2.0, and 100 to 240 VAC | 44 |

Embedded Systems

Selection Guide



| Features/Models | eBOX100-312-FL | eBOX100-51R-FL | eBOX560-52R-FL |
|-------------------------------|---|--|--|
| CPU Level | Intel® Celeron® N3350 2.4 GHz Intel® Pentium® N4200 2.5 GHz | Intel® Core™ i5-7300U 2.6 GHz Intel® Celeron® 3965U 2.2 GHz | Intel® Core™ i5-8365UE 1.6 GHz Intel® Celeron® 4305UE 2.0 GHz |
| System Memory | 1 x 204-pin DDR3L-1600 SO-DIMM, up to 8GB | 1 x 260-pin DDR4-2133 SO-DIMM, up to 16G | 1 x 260-pin DDR4-2400 SO-DIMM, up to 32GB |
| Chipset | SoC integrated | SoC integrated | SoC integrated |
| Serial | 1 x RS-232 | 2 x RS-232/422/485 | 2 x RS-232/422/485 |
| Display | 2 x HDMI | 1 x DisplayPort++ | 1 x HDMI 1 x DisplayPort |
| Audio | N/A | N/A | N/A |
| PS/2 | N/A | N/A | N/A |
| Ethernet | 2 x 10/100/1000 Mbps Ethernet | 2 x 10/100/1000 Mbps Ethernet | 2 x 10/100/1000 Mbps Ethernet |
| USB | 4 x USB 2.0 2 x USB 3.0 | 2 x USB 3.0 2 x USB 2.0 | 2 x USB 3.2 Gen2 2 x USB 2.0 |
| Expansion Interface | 2 x Full-size PCI Express Mini Card slot (USB + PCIe) 1 x SIM slot | 1 x M.2 Key E 2230 (for Wi-Fi) | 1 x M.2 Key E 2230 (for WiFi) |
| Storage | 1 x 2.5" HDD drive bay | 1 x M.2 Key B (SATA) | 1 x 2.5" HDD drive bay |
| Watchdog Timer | 255 levels, 1 to 255 sec. | 65535 levels, 1 to 65536 sec. | 65535 levels, 1 to 65536 sec. |
| Power Supply | 12 VDC | 12 VDC | 12 VDC |
| Operating Temperature | -5°C to +60°C (+23°F to +140°F) (with W.T. SSD/DRAM) | -10°C to +50°C (+14°C to +122°C) (with W.T. SSD/DRAM) | -10°C to +50°C (+14°C to +122°C) (with W.T. SSD/DRAM) |
| Mounting | Wall mount VESA mount DIN-rail | Wall mount VESA mount DIN-rail | Wall mount VESA mount DIN-rail |
| Dimensions (W x D x H) | 216 x 137.65 x 38 mm (8.5" x 5.41" x 1.49") | 142 x 87 x 58 mm (5.59" x 3.42" x 2.28") | 141.6 x 106 x 56 mm (5.57" x 6.29" x 2.28") |
| Weight (net/gross) | 1.15 kg (2.53 lb)/1.5 kg (3.3 lb) | 0.6 kg (1.32 lb)/1.5 kg (3.3 lb) | 0.6 kg (1.32 lb)/1.5 kg (3.3 lb) |
| Certifications | CE, FCC Class A | CE, FCC Class A | CE, FCC Class A |
| EOS Support | Win 10 IoT, Linux | Win 10 IoT, Linux | Win 10 IoT, Linux |
| Software Support | N/A | AMS.AXView | AMS.AXView |



| Features/Models | eBOX560-500-FL | eBOX560-512-FL | eBOX560-900-FL |
|-----------------------------------|--|---|--|
| CPU Level | Intel® Core™ i7-6600U 3.4 GHz/ i5-6300U 3.0 GHz/i3-6100U 2.3 GHz or Celeron® 3955U 2.0 GHz | Intel® Core™ i5-7300U 2.6 GHz/i3-7100U 2.4 GHz or Celeron® 3965U 2.2 GHz | NVIDIA® Jetson™ TX2 SoM HMP Dual Denver 2/2 MB L2 + Quad ARM® A57/2 MB L2 |
| System Memory | 1 x 260-pin DDR4-2133 SO-DIMM, up to 16GB | 1 x 260-pin DDR4-2133 SO-DIMM, up to 16GB | 8GB 128-bit LPDDR4 onboard |
| Chipset | SoC integrated | SoC integrated | SoM integrated |
| Serial | 1 x RS-232/422/485 1 x RS-232 | 2 x RS-232/422/485 | N/A |
| Display | 2 x HDMI | 2 x HDMI | 1 x HDMI |
| Audio | N/A | N/A | N/A |
| PS/2 | N/A | N/A | N/A |
| Ethernet | 2 x 10/100/1000 Mbps Ethernet | 2 x 10/100/1000 Mbps Ethernet | 2 x 10/100/1000 Mbps Ethernet (NVIDIA® & Intel® i210-IT) |
| USB | 4 x USB 3.0 | 4 x USB 3.0 | 1 x USB 2.0 |
| Expansion Interface | 1 x Full-size PCI Express Mini Card slot (USB + PCIe) | 1 x Full-size PCI Express Mini Card slot (USB + PCIe) | 1 x Full-size PCI Express Mini Card slot (USB + PCIe) 1 x SIM slot |
| Storage | 1 x 2.5" HDD drive bay 1 x mSATA (enabled in BIOS setting) | 1 x 2.5" HDD drive bay 1 x mSATA (enabled in BIOS setting) | Onboard 32GB eMMC (via Jetson™ TX2) 1 x M.2 Key M 2280 with PCIe 2.0 x4 for NVMe SSD (optional) |
| Watchdog Timer | 255 levels, 1 to 255 sec. | 255 levels, 1 to 255 sec. | Built-in TX2 |
| Power Supply | 12 VDC | 12 VDC | 12 VDC |
| Operating Temperature | -10°C to +55°C (+14°F to +131°F) (with W.T. SSD/DRAM) | -10°C to +50°C (+14°F to +122°F) (with W.T. SSD/DRAM) | -30°C to +60°C (-22°F to +140°F) |
| Mounting | Wall mount VESA mount DIN-rail | Wall mount VESA mount DIN-rail | Wall mount VESA mount DIN-rail |
| Dimensions (W x D x H) | 141.5 x 106 x 55 mm (5.57" x 4.17" x 2.17") | 141.6 x 106 x 54.85 mm (5.57" x 4.17" x 2.15") | 141.6 x 106 x 55 mm (5.57" x 4.17" x 2.17") |
| Weight (net/gross) | 0.8 kg (1.76 lb)/1.67 kg (3.68 lb) | 0.8 kg (1.76 lb)/1.67 kg (3.68 lb) | 0.8 kg (1.76 lb)/1.5 kg (3.31 lb) |
| Certifications | CE | CE, FCC Class A | CE, FCC Class A |
| EOS Support | Win 10 IoT, WEBS, Linux | Win 10 IoT, Linux | Linux Ubuntu 18.04 |
| Software Support | N/A | N/A | N/A |

Embedded Systems

Selection Guide



| Features/Models | eBOX565-52R-FL | eBOX565-500-FL | eBOX625-312-FL |
|-----------------------------------|--|---|--|
| CPU Level | Intel® Core™ i5 8365UE, 1.6 GHz Intel® Celeron® 4305UE, 2.0 GHz | Intel® Core™ i5-6300U 2.4 GHz/ i3-6100U 2.3 GHz or Celeron® 3955U 2.0 GHz | Intel® Celeron® N3350 2.4 GHz Intel® Pentium® N4200 2.5 GHz |
| System Memory | 1 x 260-pin DDR4-2400 SO-DIMM, up to 32GB | 1 x 260-pin DDR4-2133 SO-DIMM, up to 16GB | 1 x 204-pin DDR3L-1866 SO-DIMM, up to 8GB |
| Chipset | SoC integrated | SoC integrated | SoC integrated |
| Serial | 2 x RS-232/422/485 | 1 x RS-232/422/485 1 x RS-232 | 2 x RS-232/422/485 1 x RS-232 |
| Display | 1 x DisplayPort++ 1 x HDMI (lockable) | 2 x HDMI | 1 x HDMI (lockable) 1 x VGA |
| Audio | N/A | N/A | Yes |
| PS/2 | N/A | N/A | N/A |
| Ethernet | 2 x 10/100/1000 Mbps Ethernet | 2 x 10/100/1000 Mbps Ethernet | 2 x 10/100/1000 Mbps Ethernet |
| USB | 2 x USB 2.0 2 x USB 3.1 Gen2 | 4 x USB 3.0 | 2 x USB 2.0 4 x USB 3.0 |
| Expansion Interface | 1 x M.2 Key E 2230 (for Wi-Fi) | 1 x Full-size PCI Express Mini Card slot (USB + PCIe) | 2 x Full-size PCI Express Mini Card slot (USB + PCIe) 1 x SIM slot |
| Storage | 1 x 2.5" SATA HDD drive bay | 1 x 2.5" HDD drive bay 1 x mSATA (enabled in BIOS setting) | 1 x 2.5" HDD drive bay 1 x mSATA (enabled in BIOS setting) |
| Watchdog Timer | 65535 levels, 1 to 65536 sec. | 255 levels, 1 to 255 sec. | 65536 levels, 1 to 65535 sec. |
| Power Supply | 9 to 36 VDC | 9 to 36 VDC | 12 VDC |
| Operating Temperature | -10°C to +50°C (+14°F to +122°F) (with W.T. SSD/DRAM) | -10°C to +50°C (-4°F to +122°F) (with W.T. SSD/DRAM) | -20°C to +60°C (-4°F to +140°F) (with W.T. SSD/DRAM) |
| Mounting | Wall mount VESA mount DIN-rail | Wall mount VESA mount DIN-rail | Wall mount VESA mount DIN-rail |
| Dimensions (W x D x H) | 141.6 x 106 x 73 mm (5.57" x 4.17" x 2.87") | 141.6 x 106 x 73 mm (5.57" x 4.17" x 2.87") | 200 x 120 x 46 mm (7.87" x 4.72" x 1.81") |
| Weight (net/gross) | 1.1 kg (2.43 lb)/1.8 kg (3.96 lb) | 1.074 kg (1.76lb)/1.67 kg (3.68lb) | 1.1 kg (2.43 lb)/1.8 kg (3.97 lb) |
| Certifications | CE, FCC Class A | CE | CE, FCC Class A |
| EOS Support | Win 10 IoT, Linux | Win 10 IoT, WEBS, Linux | Win 10 IoT, Linux |
| Software Support | AXView | N/A | AXView |



| Features/Models | eBOX625-853-FL | eBOX626-311-FL | eBOX626-853-FL |
|-------------------------------|---|---|---|
| CPU Level | Intel® Celeron® N3160 2.24 GHz | Intel Atom® Processor x5-E3940 1.8 GHz | Intel® Celeron® N3160 2.24 GHz |
| System Memory | 1 x 204-pin DDR3L-1333/1600 SO-DIMM, up to 8GB | 1 x 204-pin DDR3L-1866 SO-DIMM, up to 8GB | 1 x 204-pin DDR3L-1333/1600 SO-DIMM, up to 8GB |
| Chipset | SoC integrated | SoC integrated | SoC integrated |
| Serial | 1 x RS-232/422/485 3 x RS-232 | 2 x RS-232/422/485 1 x RS-232 | 1 x RS-232/422/485 3 x RS-232 |
| Display | 1 x VGA 1 x HDMI | 1 x HDMI (lockable) 1 x VGA | 1 x HDMI 1 x VGA |
| Audio | Yes | Yes | Yes |
| PS/2 | N/A | N/A | N/A |
| Ethernet | 2 x 10/100/1000 Mbps Ethernet | 2 x 10/100/1000Mbps Ethernet | 2 x 10/100/1000Mbps Ethernet |
| USB | 1 x USB 2.0 3 x USB 3.0 | 2 x USB 2.0 4 x USB 3.0 | 1 x USB 2.0 3 x USB 3.0 |
| Expansion Interface | 2 x Full-size PCI Express Mini Card slot (USB + PCIe) 1 x SIM slot | 2 x Full-size PCI Express Mini Card slot (USB + PCIe) 1 x SIM slot | 2 x Full-size PCI Express Mini Card slot (USB + PCIe) 1 x SIM slot |
| Storage | 1 x 2.5" HDD drive bay 1 x mSATA (enabled in BIOS setting) | 1 x 2.5" HDD drive bay 1 x mSATA (enabled in BIOS setting) | 1 x 2.5" HDD drive bay 1 x mSATA (enabled in BIOS setting) |
| Watchdog Timer | 255 levels, 1 to 255 sec. | 65536 levels, 1 to 65535 sec. | 255 levels, 1 to 255 sec. |
| Power Supply | 12 VDC | 9 to 36 VDC | 9 to 36 VDC |
| Operating Temperature | -20°C to +60°C (-4°F to +140°F) (with W.T. SSD/DRAM) | -40°C to +60°C (-40°F to +140°F) (with W.T. SSD/DRAM) | -20°C to +60°C (-4°F to +140°F) (with W.T. SSD/DRAM) |
| Mounting | Wall mount VESA mount DIN-rail | Wall mount VESA mount DIN-rail | Wall mount VESA mount DIN-rail |
| Dimensions (W x D x H) | 200 x 120 x 46 mm (7.87" x 4.72" x 1.81") | 200 x 120 x 46 mm (7.87" x 4.72" x 1.81") | 200 x 120 x 46 mm (7.87" x 4.72" x 1.81") |
| Weight (net/gross) | 1.2 kg (2.65 lb)/1.9 kg (4.19 lb) | 1.2 kg (2.65 lb)/1.6 kg (3.53 lb) | 1.2 kg (2.65 lb)/1.9 kg (4.19 lb) |
| Certifications | CE | CE, FCC Class A | CE |
| EOS Support | WES7, WE8S, Win 10 IoT, Linux | Win 10 IoT, Linux | WES7, WE8S, Linux |
| Software Support | N/A | AXView | N/A |

Embedded Systems

Selection Guide



| Features/Models | eBOX627-312-FL | eBOX630-528-FL | eBOX638-842-FL |
|-----------------------------------|--|--|--|
| CPU Level | Intel® Celeron® N3350 2.4 GHz Intel® Pentium® N4200 2.5 GHz | Intel® Core™ i7-8665UE/i5-8365UE/i3-8145UE or Celeron®4305UE | Intel® Celeron® J1900 2.0 GHz |
| System Memory | 1 x 204-pin DDR3L-1866 SO-DIMM, up to 8GB | 2 x 260-pin DDR4-2400 SO-DIMM, up to 64GB | 1 x 204-pin DDR3L-1066/1333 SO-DIMM, up to 8GB |
| Chipset | SoC integrated | SoC integrated | SoC integrated |
| Serial | 2 x RS-232/422/485 2 x RS-232 | 2 x RS-232/422/485 2 x RS-232 | 2 x RS-232/422/485 2 x RS-232 |
| Display | 1 x HDMI (lockable) | 2 x HDMI (lockable) 1 x VGA | 1 x HDMI 1 x VGA |
| Audio | N/A | Yes | Yes |
| PS/2 | N/A | N/A | Yes |
| Ethernet | 2 x 10/100/1000 Mbps Ethernet | 3 x 10/100/1000 Mbps Ethernet | 2 x 10/100/1000 Mbps Ethernet |
| USB | 2 x USB 2.0 4 x USB 3.0 | 2 x USB 3.1 Gen2 2 x USB 3.0 2 x USB 2.0 | 5 x USB 2.0 1 x USB 3.0 |
| Expansion Interface | 2 x Full-size PCI Express Mini Card slot (USB + PCIe) 1 x SIM slot | 2 x Full-size PCI Express Mini Card slot A (USB + PCIe signal) and slot B (USB + PCIe + SATA signal) | 1 x Full-size PCI Express Mini Card slot (USB + PCIe) 2 x PCI slot or 2 PCIe x1 slot 1 x SIM slot |
| Storage | 1 x 2.5" HDD drive bay 1 x mSATA (enabled in BIOS setting) | 2 x 2.5" HDD drive bay 1 x mSATA (enabled in BIOS setting) | 1 x 2.5" HDD drive bay 1 x mSATA (enabled in BIOS setting) |
| Watchdog Timer | 65536 levels, 1 to 65535 sec. | 255 levels, 1 to 255 sec. | 255 levels, 1 to 255 sec. |
| Power Supply | 9 to 36 VDC | 9 to 36 VDC | 9 to 36 VDC |
| Operating Temperature | -20°C to +70°C (-4°F to +158°F) (with W.T. SSD/DRAM) | -40°C to +70°C (-40°F to +158°F) with 0.7 m/s air flow -40°C to +65°C (-40°F to +149°F) with 0.5 m/s air flow (with W.T. SSD/DRAM) | -10°C to +55°C (+14°F to +131°F) (with W.T. DRAM & SSD) |
| Mounting | Wall mount VESA mount DIN-rail | Wall mount VESA mount DIN-rail | Wall mount |
| Dimensions (W x D x H) | 200 x 120 x 65 mm (7.87" x 4.72" x 2.55") | 250 x 170 x 60 mm (9.84" x 6.69" x 2.36") | 192 x 230 x 115.8 mm (7.56" x 9.05" x 4.56") |
| Weight (net/gross) | 1.38 kg (3.04 lb)/2.08 kg (4.59 lb) | 2.4 kg (5.29 lb)/3.2 kg (7.0 lb) | 4.1 kg (9.03 lb) /4.8 kg (10.58 lb) |
| Certifications | CE, FCC Class A | CE, FCC Class A | CE Compliance |
| EOS Support | Win 10 IoT, Linux | Win 10 IoT, Linux | WES7, Win 10 IoT |
| Software Support | AXView | N/A | N/A |



| Features/Models | eBOX640-500-FL | eBOX640-521-FL | eBOX670-891-FL |
|-------------------------------|---|--|--|
| CPU Level | LGA1151 7th/6th gen Intel® Core™ i7/i5/i3 or Celeron® (35W) | LGA1151 9th/8th gen Intel® Core™ i7/i5/i3 or Celeron® (35W) | LGA1151 7th/6th gen Intel® Core™ i7/i5/i3 or Celeron® (35W) |
| System Memory | 2 x 288-pin DDR4-2133 DIMM, up to 32GB | 2 x 260-pin DDR4-2666/2400 SO-DIMM, up to 64GB | 7th gen: 2 x 260-pin DDR4-2133/2400 SO-DIMM, up to 32GB 6th gen: 2 x 260-pin DDR4-1866/2133 SO-DIMM, up to 32GB |
| Chipset | Intel® H110 | H310/Q370 (optional) | Intel® Q170 |
| Serial | 1 x RS-232/422/485 3 x RS-232 | 1 x RS-232/422/485 1 x RS-232 | 2 x RS-232/422/485 (onboard) 2 x RS-232/422/485 (via cable on flexible I/O window) |
| Display | 1 x DisplayPort 1 x HDMI 1 x VGA | 1 x HDMI 1 x DisplayPort | 2 x HDMI 1 x DisplayPort |
| Audio | Yes | Yes | Yes |
| PS/2 | N/A | N/A | N/A |
| Ethernet | 2 x 10/100/1000 Mbps Ethernet | 2 x 10/100/1000 Mbps Ethernet | 4 x 10/100/1000 Mbps Ethernet |
| USB | 2 x USB 2.0 4 x USB 3.0 | 4 x USB 2.0 2 x USB 3.0 | 2 x USB 2.0 6 x USB 3.0 |
| Expansion Interface | 1 x Full-size PCI Express Mini Card slot (USB + PCIe) 1 x SIM slot | 1 x Full-size PCI Express Mini Card slot (PCIe + SATA + USB) 1 x M.2 Key E 2230 (for Wi-Fi) | 2 x Full-size PCI Express Mini Card slot (USB + PCIe) 1 x SIM slot |
| Storage | 2 x 2.5" HDD drive bay 1 x mSATA (enabled in BIOS setting) | 2 x 2.5" HDD drive bay | 2 x 2.5" HDD drive bay 1 x CFast™ 1 x mSATA (enabled in BIOS setting) |
| Watchdog Timer | 255 levels, 1 to 255 sec. | 255 levels, 1 to 255 sec. | 255 levels, 1 to 255 sec. |
| Power Supply | 10 to 30 VDC | 19 VDC, 6.32A (12 and 24 VDC can be used by optional adapter) | 9 to 36 VDC |
| Operating Temperature | -10°C to +55°C (+14°F to +131°F) (with W.T. SSD/DRAM) | -10°C to +50°C (14°F to 122°F) (with W.T. SSD/DRAM) | -40°C to +60°C (-40°F to +140°F) (with W.T. SSD/DRAM) |
| Mounting | Wall mount | Wall mount DIN-rail | Wall mount DIN-rail |
| Dimensions (W x D x H) | 182 x 235.7 x 82 mm (7.16" x 9.27" x 3.23") | 195 x 210.6 x 80 mm (7.67" x 8.27" x 3.14") | 280 x 190 x 76 mm (11.02" x 7.48" x 2.99") |
| Weight (net/gross) | 3 kg (6.61 lb)/3.6 kg (7.94 lb) | 3 kg (6.61 lb)/3.6 kg (7.94 lb) | 3.8 kg (8.37 lb)/4.6 kg (10.14 lb) |
| Certifications | CE | CE, FCC Class A | UL62368-1 certified, CE, FCC Class A |
| EOS Support | Win 10 IoT, WE8S, WES7, Linux | Win 10 IoT, Linux | WE8S, Win 10 IoT, Linux |
| Software Support | N/A | N/A | AXView |

Embedded Systems

Selection Guide



| Features\Models | eBOX671-517-FL | eBOX671-521-FL | eBOX671A |
|-------------------------------|---|--|---|
| CPU Level | LGA1151 7th/6th gen Intel® Core™ i7/i5/i3 or Celeron® (35W/65W) | LGA1151 9th/8th gen Intel® Core™ i7/i5/i3 or Celeron® (35W/65W) | LGA1200 10th gen Intel® Core™ i9/i7/i5/i3 or Celeron® (35W/65W) |
| System Memory | 2 x 260-pin DDR4-2133 SO-DIMM, up to 32GB | 2 x 260-pin DDR4-2666 SO-DIMM, up to 64GB | 2 x DDR4 260pin SO-DIMM, up to 64GB |
| Chipset | Intel® Q170 | Intel® Q370 Intel® C246 (optional) | Intel® W480E |
| Serial | 2 x RS-232/422/485 | 2 x RS-232/422/485 | 2 x RS-232/422/485 2 x RS-232 |
| Display | 1 x VGA 1 x DVI-D 1 x HDMI | 1 x DisplayPort 1 x DVI-I 1 x HDMI 2 x DisplayPort via MXM (optional) | 2 x HDMI 1.4b 1 x DisplayPort 1.2 ++ |
| Audio | Yes | Optional | Optional |
| PS/2 | N/A | N/A | N/A |
| Ethernet | 8 x 10/100/1000 Mbps PoE, up to 120W | 2 x 10/100/1000 Mbps Ethernet 4 x 10/100/1000 Mbps PoE, up to 60W | 4 x 10/100/1000 Mbps Ethernet |
| USB | 2 x USB 2.0 4 x USB 3.0 | 4 x USB 3.2 Gen1 2 x USB 3.2 Gen2 | 5 x USB 3.2 Gen2 1 x USB 3.2 Gen1 |
| Expansion Interface | 2 x Full-size PCI Express Mini Card slot (USB + PCIe) 1 x Half-size PCI Express Mini Card slot (USB only) 1 x Half-size PCI Express Mini Card slot (USB + mSATA + PCIe) 2 x SIM slot | 2 x Full-size PCI Express Mini Card slot (USB + PCIe) 2 x SIM slot 1 x MXM3.1 type A connector | 2 x Full-size PCI Express Mini card slot (USB + PCIe + SATA) 1 x SIM slot 1 x M.2 Key B (for LTE) |
| Storage | 2 x 2.5" HDD drive bay 1 x mSATA (enabled in BIOS setting) | 2 x 2.5" HDD drive bay 1 x mSATA (enabled in BIOS setting) | 2 x 2.5" HDD drive Bay 2 x mSATA (enabled in BIOS setting) |
| Watchdog Timer | 255 levels, 1 to 255 sec. | 255 levels, 1 to 255 sec. | 255 levels, 1 to 255 sec. |
| Power Supply | 24 VDC | 24 VDC | 9 to 48 VDC |
| Operating Temperature | -40°C to +70°C (-40°F to +158°F) (with W.T. SSD/DRAM) | -40°C to +60°C (-40°F to +140°F) (with W.T. SSD/DRAM) | -40°C to +60°C (-40°F to +140°F) (with W.T. SSD/DRAM) |
| Mounting | Wall mount DIN-rail | Wall mount DIN-rail | Wall mount DIN-rail |
| Dimensions (W x D x H) | 280 x 210 x 79.6 mm (11.02" x 8.26" x 3.13") | 280 x 210 x 80.5 mm (11.02" x 8.26" x 3.16") | 280 x 210 x 80.5 mm (11.02" x 8.26" x 3.16") |
| Weight (net/gross) | 4.31 kg (9.5 lb)/5.1 kg (11.24 lb) | 4.8 kg (10.58 lb)/5.6 kg (12.34 lb) | 4.8 kg (10.58 lb)/5.6 kg (12.34 lb) |
| Certifications | CE, FCC Class A | CE, FCC Class A | CE, FCC Class A |
| EOS Support | Win 10 IoT, Linux | Win 10 IoT, Linux | Win 10 IoT, Linux |
| Software Support | AXView | AXView | AXView |



| Features/Models | eBOX700-891-FL | eBOX710-521-FL |
|-------------------------------|--|--|
| CPU Level | LGA1151 7th/6th gen Intel® Core™ i7/i5/i3 or Celeron® (35W) | LGA1151 Intel® Xeon®, 9th/8th gen Intel® Core™ i7/i5/i3 or Celeron® (35W) |
| System Memory | 7th gen: 2 x 260-pin SO-DIMM DDR4-2133/2400, up to 32GB 6th gen: 2 x 260-pin SO-DIMM DDR4-1866/2133, up to 32GB | 2 x 260-pin DDR4-2666 ECC/non-ECC SO-DIMM, up to 64GB* * ECC memory is supported by Intel® Xeon® and Intel® Core™ i3 processor only |
| Chipset | Intel® H110 | Intel® C246 PCH |
| Serial | 2 x RS-232/422/485 | 2 x RS-232/422/485 |
| Display | 1 x DisplayPort 2 x HDMI | 1 x HDMI 1 x DisplayPort 1 x DVI-I |
| Audio | Optional | Optional |
| PS/2 | N/A | N/A |
| Ethernet | 4 x 10/100/1000 Mbps Ethernet | 6 x 10/100/1000 Mbps Ethernet |
| USB | 2 x USB 2.0 4 x USB 3.0 | 4 x USB 3.1 Gen2 2 x USB 3.1 Gen1 |
| Expansion Interface | 2 x Full-size PCI Express Mini Card slot (USB + PCIe) 1 x PCIe x4 or 1 x PCI 1 x SIM slot | 2 x Full-size PCI Express Mini Card slot (USB + PCIe) 2 x SIM slot 1 x PCIe x4 slot |
| Storage | 1 x 2.5" HDD drive bay 1 x mSATA (enabled in BIOS setting) | 2 x 2.5" HDD drive bay 1 x mSATA (enabled in BIOS setting) |
| Watchdog Timer | 255 levels, 1 to 255 sec. | 255 levels, 1 to 255 sec. |
| Power Supply | 9 to 36 VDC | 24 VDC |
| Operating Temperature | -40°C to +50°C (-40°F to +122°F) (with W.T. SSD/DRAM) | -40°C to 70°C (-40°F to 158°F) (with W.T. DRAM/SSD) |
| Mounting | Wall mount DIN-rail | Wall mount DIN-rail |
| Dimensions (W x D x H) | 280 x 190 x 76 mm (11.02" x 7.4" x 2.99") | 280 x 210 x 80.5 mm (11.02" x 8.26" x 3.16") |
| Weight (net/gross) | 3.8 kg (8.37 lb)/4.6 kg (10.14 lb) | 4.8 kg (10.58 lb)/5.6 kg (12.34 lb) |
| Certifications | CE, FCC Class A | CE, FCC Class A |
| EOS Support | Win 10 IoT, Linux | Win 10 IoT, Linux |
| Software Support | AXView | AXView |

Embedded Systems

Selection Guide



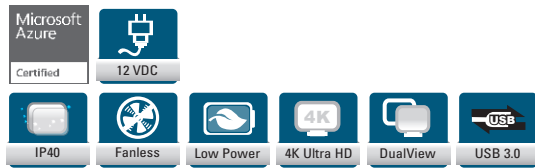
| Features/Models | eBOX800-511-FL | eBOX800-841-FL | eBOX800-900-FL |
|-------------------------------|---|---|--|
| CPU Level | Intel® Core™ i5-7300U or Celeron® 3965U | Intel Atom® E3845 1.91 GHz | NVIDIA Jetson™ TX2 SoM HMP Dual Denver 2/2 MB L2 and Quad ARM® A57/2 MB L2 |
| System Memory | 1 x 260-pin DDR4-2133 SO-DIMM, up to 16GB | 1 x 204-pin DDR3L-1066/1333 SO-DIMM, up to 8GB | 8GB 128-bit LPDDR4 onboard |
| Chipset | SoC integrated | SoC integrated | SoM integrated |
| Serial | 2 x RS-232/422/485 (M12) | 2 x RS-232/422/485 (M12) | N/A |
| Display | 1 x VGA (M12) | 1 x VGA | 1 x C3 HDMI (M12) |
| Audio | N/A | N/A | N/A |
| PS/2 | N/A | N/A | N/A |
| Ethernet | 1 x 10/100/1000 Mbps Ethernet (M12) | 2 x 10/100/1000 Mbps Ethernet (M12) | 1 x 10/100/1000 Mbps Ethernet (M12) 1 x 10/100/1000 Mbps PoE (M12, 30W) |
| USB | 2 x USB 2.0 (M12) | 2 x USB 2.0 (M12) | 1 x USB 2.0 (M12) |
| Expansion Interface | 1 x Full-size PCI Express Mini Card slot 1 x Half-size PCI Express Mini Card slot (USB + PCIe) | 1 x Full-size PCI Express Mini Card slot 1 x Half-size PCI Express Mini Card slot (USB + PCIe) | 1 x Full-size PCI Express Mini Card slot (USB + PCIe signal) 1 x SIM slot |
| Storage | 1 x 2.5" HDD drive bay 1 x mSATA (enabled in BIOS setting) | 1 x 2.5" HDD drive bay 1 x CFast™ 1 x mSATA (enabled in BIOS setting) 1 x SIM slot | Onboard 32GB eMMC (via Jetson™ TX2) 1 x M.2 Key M 2280 with PCIe 2.0 x4 for NVMe SSD (optional) |
| Watchdog Timer | 255 levels, 1 to 255 sec. | 255 levels, 1 to 255 sec. | Built-in TX2 |
| Power Supply | 9 to 36 VDC (M12) | 9 to 36 VDC (M12) | 100 to 240 VAC with 10kV SPD |
| Operating Temperature | -30°C to +60°C (-22°F to +140°F) (with i5-7300U, W.T. SSD/DRAM) | -30°C to +60°C (-22°F to +140°F) (with W.T. SSD/DRAM) | -30°C to +60°C (-22°F to +140°F) |
| Mounting | Wall mount | Wall mount | Wall mount |
| Dimensions (W x D x H) | 210 x 366.83 x 83.8 mm (8.27" x 14.44" x 3.27") | 210 x 366.83 x 83.8 mm (8.27" x 14.44" x 3.27") | 210 x 366.83 x 83.8 mm (8.27" x 14.44" x 3.27") |
| Weight (net/gross) | 4.31 kg (9.5 lb)/5.1 kg (11.24 lb) | 4.31 kg (9.5 lb)/5.1 kg (11.24 lb) | 4.31 kg (9.5 lb)/5.1 kg (11.24 lb) |
| Certifications | CE, FCC Class A | CE | CE, FCC Class A |
| EOS Support | Win 10 IoT, Linux | Win 10 IoT, WEBS, WES7, Linux | Linux Ubuntu 18.04 |
| Software Support | AXView | N/A | N/A |

eBOX100-312-FL

Fanless Embedded System with Intel® Celeron® N3350 or Pentium® N4200, 2 HDMI, 2 GbE LAN, and 6 USB

Features

- Intel® Celeron® N3350 2.4 GHz or Pentium® N4200 2.5 GHz
- Supports 2 HDMI, 1 COM, 6 USB, and 2 GbE LAN
- 2 PCI Express Mini Card slots for WLAN and WWAN
- One swappable 2.5" SATA HDD drive bay
- Supports Jumbo Frame (9k), WoL, and PXE Remote Boot
- Suitable for smart retail and light industries
- Azure certified



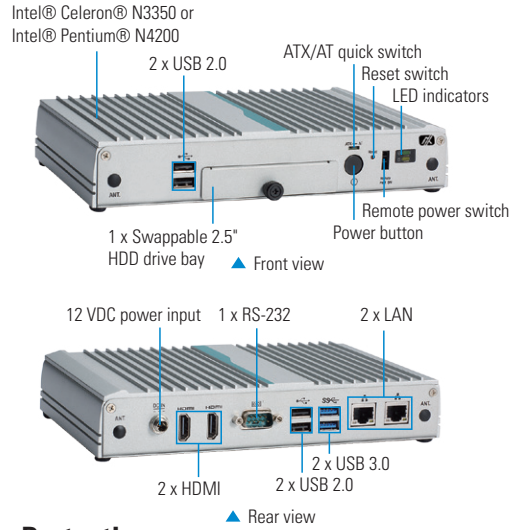
Specifications

| | |
|-----------------------|--|
| Standard Color | Silver |
| Construction | Aluminum extrusion and heavy-duty steel, IP40 |
| CPU | Intel® Celeron® N3350 2.4 GHz with turbo boost Intel® Pentium® N4200 2.5 GHz with turbo boost |
| System Memory | 1 x 204-pin DDR3L-1600 SO-DIMM, up to 8GB |
| Chipset | SoC integrated |
| BIOS | AMI UEFI BIOS |
| System I/O Outlet | 1 x RS-232 2 x HDMI 1.4b 2 x 10/100/1000 Mbps Ethernet (Intel® i211-AT) 2 x USB 3.0 4 x USB 2.0 4 x Antenna opening 1 x ATX power switch 1 x ATX/AT quick switch 1 x Reset button 1 x Remote power switch 1 x Screw type VDC power input connector |
| Watchdog Timer | 255 levels, 1 to 255 sec. |
| Storage | 1 x 2.5" SATA HDD drive bay (max. up 9.5 mm height) |
| Expansion Interface | 2 x Full-size PCI Express Mini Card slot (USB + PCIe) 1 x SIM slot |
| TPM | N/A |
| System Indicator | 1 x Green LED for system power-on 1 x Orange LED for HDD active |
| Power Input | 12 VDC |
| Operating Temperature | -5°C to +60°C (+23°F to +140°F) (with W.T. DRAM & SSD) |
| Storage Temperature | -20°C to +85°C (-4°F to +185°F) |
| Humidity | 10% - 90%, non-condensing |
| Vibration Endurance | 3 Grms with SSD (5 to 500 Hz, X, Y, Z directions) |
| Dimensions | 216 mm (8.5") x 137.65 mm (5.41") x 38 mm (1.49") |
| Weight (net/gross) | 1.15 kg (2.53 lb)/1.5 kg (3.3 lb) |
| Certifications | CE, FCC Class A |
| EOS Support | Win 10 IoT, Linux |

* W.T.: Wide Temperature. All W.T. supported products have to be sorted by Axiomtek.

Packing List

- 1 x Screw pack
- 4 x Pre-installed foot pad
- 1 x HDD rubber
- 1 x Remote switch cable



Power Protection

AC Version

- OVP (over voltage protection)
- OCV (over current protection)
- SCP (short circuit protection)

Ordering Information

Standard

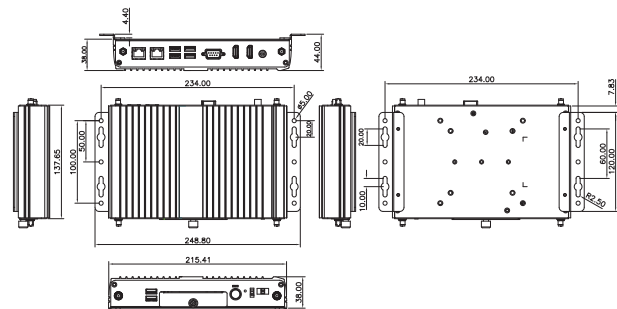
| | |
|---|---|
| eBOX100-312-FL-DC-N3350 (P/N: E36K100110) | Fanless embedded system with Intel® Celeron® N3350 2.4 GHz, 2 HDMI, 2 GbE LAN, and 6 USB (w/o adapter and power cord) |
| eBOX100-312-FL-DC-N4200 (P/N: E36K100111) | Fanless embedded system with Intel® Pentium® N4200 2.5 GHz, 2 HDMI, 2 GbE LAN, and 6 USB (w/o adapter and power cord) |

Optional

| | |
|---------------|-----------------------|
| 2.5" SATA HDD | 64GB or above |
| 2.5" SATA SSD | 100GB or above |
| DDR3L SO-DIMM | 2GB to 8GB |
| 8816K6271A0E | Wall mount kit |
| 8816K1000A0E | VESA mount kit |
| 881606470A0E | DIN-rail kit |
| | 3G/LTE module |
| 50956A24030E | 12V 36W power adapter |
| | Power cord |

* Specifications and certifications may vary based on different requirements.

Dimensions



eBOX100-51R-FL

Fanless Ultra Compact Embedded System with Intel® Core™ i5-7300U or Intel® Celeron® 3965U Processor, DisplayPort++, 2 COM, 4 USB, and 2 GbE LAN

Features

- Ultra compact size with high performance
- Intel® Core™ i5-7300U or Celeron® 3965U
- M.2 Key E 2230 for Wi-Fi
- M.2 Key B 2242 for storage
- Supports Azure certified and AMS.AXView
- Supports Intel® AMT 11
- Multiple mounting designs: wall mount, DIN-rail, and VESA mount



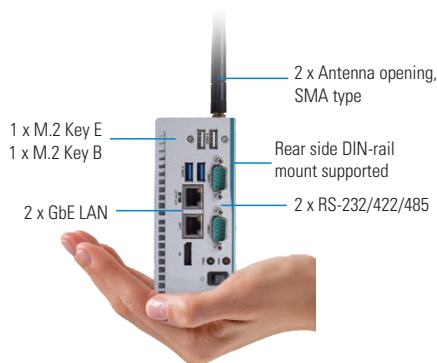
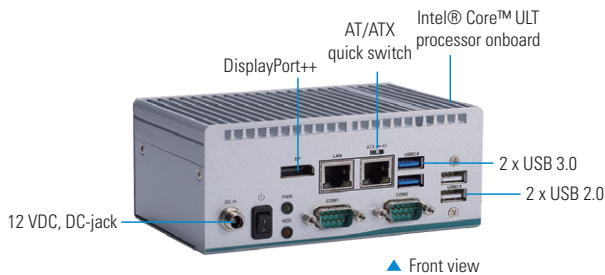
Specifications

| | |
|-----------------------|---|
| Standard Color | Silver |
| Construction | Aluminum extrusion and heavy-duty steel, IP40 |
| CPU | Intel® Core™ i5-7300U 2.6 GHz Intel® Celeron® 3965U 2.2 GHz |
| System Memory | 1 x 260-pin DDR4-2133 SO-DIMM, up to 16GB |
| Chipset | SoC integrated |
| BIOS | AMI UEFI BIOS |
| System I/O Outlet | 2 x RS-232/422/485 2 x 10/100/1000 Mbps Ethernet (Intel® i219-LM, Intel® i211-AT) 2 x USB 3.0 2 x USB 2.0 1 x DisplayPort++ 1 x ATX power switch 1 x AT/ATX quick switch 1 x Screw type VDC power input connector 2 x Antenna opening |
| Watchdog Timer | 65535 levels, 1 to 65536 sec. |
| Storage | 1 x M.2 Key B 2242 (for SATA storage) |
| Expansion Interface | 1 x M.2 Key E 2230 (for Wi-Fi) |
| TPM | N/A |
| System Indicator | 1 x Green LED for system power-on 1 x Orange LED for HDD active |
| Power Input | 12 VDC |
| Operating Temperature | -10°C to +50°C (+14°F to +122°F) (with W.T. SSD/DRAM) |
| Storage Temperature | -20°C to +85°C (-4°F to +185°F) |
| Humidity | 10% - 90%, non-condensing |
| Vibration Endurance | IEC 60068-2-64 (with SSD: 3Grms STD, random, 5 to 500 Hz, 1 hr/axis) |
| Shock Vibration | IEC 60068-2-27 (with SSD: 50G, half sine, 11 ms duration) |
| Dimensions | 142 mm (5.59") x 87mm (3.42") x 58 mm (2.28") |
| Weight (net/gross) | 0.6 kg (1.32 lb)/1.5 kg (3.3 lb) |
| Certifications | CE, FCC Class A and IEC60945 |
| EOS Support | Win 10 IoT, Linux |
| Software Support | AMS.AXView |

* W.T.: Wide Temperature. All W.T. supported products have to be sorted by Axiomtek.

Packing List

- 1 x Quick manual
- 1 x Screw pack
- 4 x Pre-installed foot pad
- 1 x HDD rubber



Power Protection

AC Version

- OVP (over voltage protection)
- OCP (over current protection)
- SCP (short circuit protection)

Ordering Information

Standard

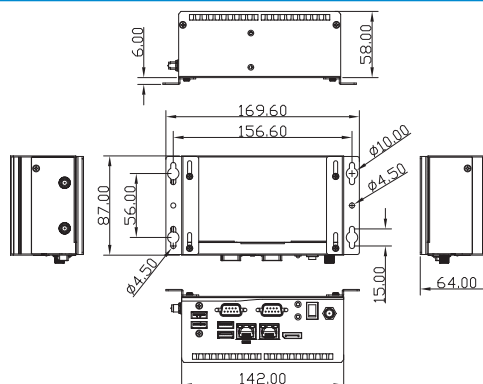
| | |
|--|--|
| eBOX100-51R-DC-7300U (P/N: E36K100108) | Fanless ultra compact embedded system with Intel® Core™ i5-7300U, DisplayPort++, 2 COM, 4 USB, and 2 GbE LAN |
| eBOX100-51R-DC-3965U (P/N: E36K100107) | Fanless ultra compact embedded system with Intel® Celeron® 3965U, DisplayPort++, 2 COM, 4 USB, and 2 GbE LAN |

Optional

| | |
|--------------|-------------------------------------|
| DDR4 SO-DIMM | 4G to 16GB |
| M.2 SATA SSD | 128GB or above |
| 8816K1004A0E | Wall mount kit |
| 8816K1008A0E | DIN-rail kit |
| 8816K1005A0E | VESA mount kit |
| 8816K1006A0E | M.2 Wi-Fi module |
| 50966124050E | 12V 60W power adapter Power cord |

* Specifications and certifications may vary based on different requirements.

Dimensions



eBOX560-500-FL

Fanless Embedded System with Intel® Core™ i7-6600U/i5-6300U/i3-6100U or Celeron® 3955U, 2 HDMI, 2 GbE LAN, 4 USB 3.0, 2 COM, and PCI Express Mini Card Slot

Features

- Intel® Core™ i7-6600U 3.4 GHz/i5-6300U 3 GHz/i3-6100U 2.3 GHz or Celeron® 3955U 2.0 GHz (Skylake ULT SoC)
- 260-pin DDR4 SO-DIMM for up to 16GB of memory
- 12 VDC power input
- Supports 2 HDMI, 2 GbE LAN, 2 COM, and 4 USB 3.0
- Supports Jumbo Frame (9.5K), WoL, PXE, and Teaming
- Ultra-compact enclosure design



Specifications

| | |
|-----------------------|--|
| Standard Color | Silver-black |
| Construction | Aluminum extrusion and heavy-duty steel, IP40 |
| CPU | Intel® Core™ i7-6600U 3.4 GHz/i5-6300U 3 GHz/i3-6100U 2.3 GHz & Celeron® 3955U 2.0 GHz (Skylake ULT SoC) |
| System Memory | 1 x 260-pin DDR4-2133 SO-DIMM, up to 16GB |
| Chipset | SoC integrated |
| BIOS | AMI |
| System I/O Outlet | 1 x RS-232/422/485 1 x RS-232 2 x HDMI 2 x 10/100/1000 Mbps Ethernet (Intel® i210-AT, Intel® i219-LM) 4 x USB 3.0 2 x SMA-type antenna connector 1 x AT/ATX quick switch 1 x ATX power switch 1 x Reset button 1 x Screw type VDC power input connector |
| Watchdog Timer | 255 levels, 1 to 255 sec. |
| Storage | 1 x 2.5" SATA HDD drive bay (max. up 9.5 mm height) 1 x mSATA (enabled in BIOS setting) |
| Expansion Interface | 1 x Full-size PCI Express Mini Card slot (USB + PCIe signal) |
| TPM | N/A |
| System Indicator | 1 x Green LED for system power-on 1 x Orange LED for HDD active |
| Power Input | 12 VDC |
| Operating Temperature | -10°C to +55°C (-14°F to +131°F) (with W.T. DRAM/SSD) |
| Humidity | 10% - 95%, non-condensing |
| Vibration Endurance | 3 Grms with SSD™ (5 to 500 Hz, X, Y, Z directions) |
| Dimensions | 141.5 mm (5.57") (W) x 106 mm (4.17") (D) x 55 mm (2.17") (H) |
| Weight (net/gross) | 0.8 kg (1.76 lb)/1.67 kg (3.68 lb) |
| Certifications | CE |
| EOS Support | Win 10, WE8S, Linux |

* W.T.: Wide Temperature. All W.T. supported products have to be sorted by Axiomtek.

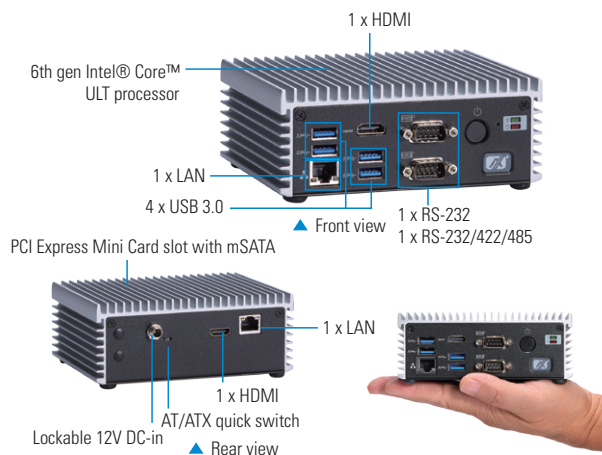
Packing List

- 1 x Screw pack
- 4 x Pre-installed foot pad

Power Protection

AC Version

- OVP (over voltage protection)
- OCP (over current protection)
- SCP (short circuit protection)
- Reverse protection



Ordering Information

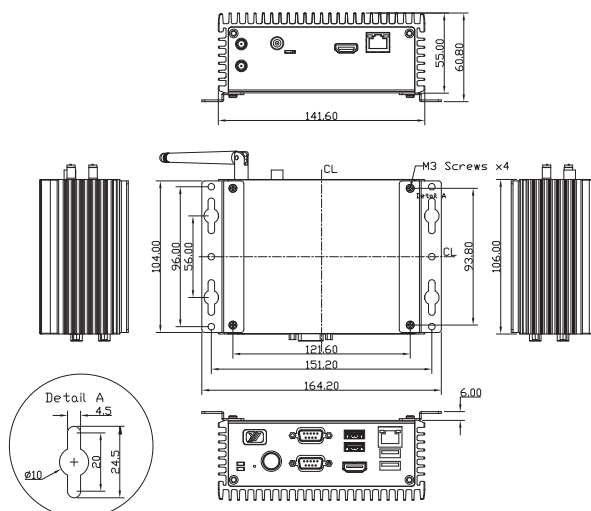
| Standard | |
|---|---|
| eBOX560-500-FL-DC-6600U (P/N: E36K560143) | Fanless embedded system with Intel® Core™ i7-6600U processor, 2 HDMI, 2 GbE LAN, 4 USB 3.0, 2 COM, and PCI Express Mini Card (w/o adapter & power cord) |
| eBOX560-500-FL-DC-6300U (P/N: E36K560144) | Fanless embedded system with Intel® Core™ i5-6300U processor, 2 HDMI, 2 GbE LAN, 4 USB 3.0, 2 COM, and PCI Express Mini Card (w/o adapter & power cord) |
| eBOX560-500-FL-DC-6100U (P/N: E36K560145) | Fanless embedded system with Intel® Core™ i3-6100U processor, 2 HDMI, 2 GbE LAN, 4 USB 3.0, 2 COM, and PCI Express Mini Card (w/o adapter & power cord) |
| eBOX560-500-FL-DC-3955U (P/N: E36K560142) | Fanless embedded system with Intel® Celeron® 3955U processor, 2 HDMI, 2 GbE LAN, 4 USB 3.0, 2 COM, and PCI Express Mini Card (w/o adapter & power cord) |

Optional

| | |
|---------------|-----------------------|
| 2.5" SATA HDD | 64GB or above |
| 2.5" SATA SSD | 100GB or above |
| DDR4 SO-DIMM | 2GB to 16GB |
| 8816K5601A0E | Wall mount kit |
| 8816K560AA0E | VESA arm kit |
| 8816K560BA0E | DIN-rail kit |
| | Wi-Fi module |
| 50966124050E | 12V 60W power adapter |
| | Power cord |

* Specifications and certifications may vary based on different requirements.

Dimensions

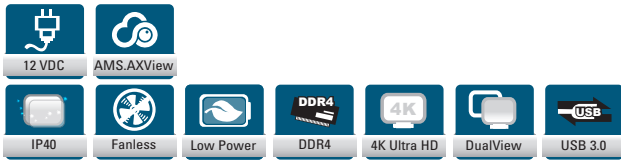


eBOX560-512-FL

Fanless Embedded System with Intel® Core™ i5-7300U/i3-7100U or Celeron® 3965U, 2 HDMI, 2 GbE LAN, 4 USB 3.0, and PCI Express Mini Card Slot

Features

- Intel® Core™ i5-7300U 2.6 GHz/i3-7100U 2.4 GHz or Celeron® 3965U 2.2 GHz
- Supports 2 COM, 2 GbE LAN, and 4 USB 3.0
- One swappable 2.5" HDD drive bay
- 2 HDMI with dual-view supported
- AMS.AXView intelligent remote monitoring software for IIoT
- Ultra-compact enclosure design
- Trusted Platform Module 1.2 (TPM 1.2)



Specifications

| | |
|-----------------------|--|
| Standard Color | Silver |
| Construction | Aluminum extrusion and heavy-duty steel, IP40 |
| CPU | Intel® Core™ i5-7300U 2.6 GHz/i3-7100U 2.4 GHz or Celeron® 3965U 2.2 GHz |
| System Memory | 1 x 260-pin DDR4-2133 SO-DIMM, up to 16GB |
| Chipset | SoC integrated |
| BIOS | AMI UEFI BIOS |
| System I/O Outlet | 2 x RS-232/422/485 2 x HDMI 2 x 10/100/1000 Mbps Ethernet (Intel® i210-AT, Intel® i219-LM) 4 x USB 3.0 2 x SMA-type antenna connector 1 x AT/ATX quick switch 1 x ATX power switch 1 x Reset button 1 x Screw type VDC power input connector |
| Watchdog Timer | 255 levels, 1 to 255 sec. |
| Storage | 1 x 2.5" SATA HDD drive bay (max. up 9.5 mm height) 1 x mSATA (enabled in BIOS setting) |
| Expansion Interface | 1 x Full-size PCI Express Mini Card slot (USB + PCIe signal) |
| TPM | TPM 1.2 |
| System Indicator | 1 x Green LED for system power-on 1 x Yellow LED for HDD active |
| Power Input | 12 VDC |
| Operating Temperature | -10°C to +50°C (+14°F to +122°F) (with W.T. DRAM/SSD) |
| Humidity | 10% - 90%, non-condensing |
| Vibration Endurance | 3 Grms with SSD (5 to 500 Hz, X, Y, Z directions) |
| Dimensions | 141.6 mm (5.57") (W) x 106 mm (4.17") (D) x 54.85 mm (2.15") (H) |
| Weight (net/gross) | 0.8 kg (1.76 lb)/1.67 kg (3.68 lb) |
| Certifications | CE, FCC Class A |
| EOS Support | Win 10 IoT, Linux |
| Software Support | AMS.AXView |

* W.T.: Wide Temperature. All W.T. supported products have to be sorted by Axiomtek.

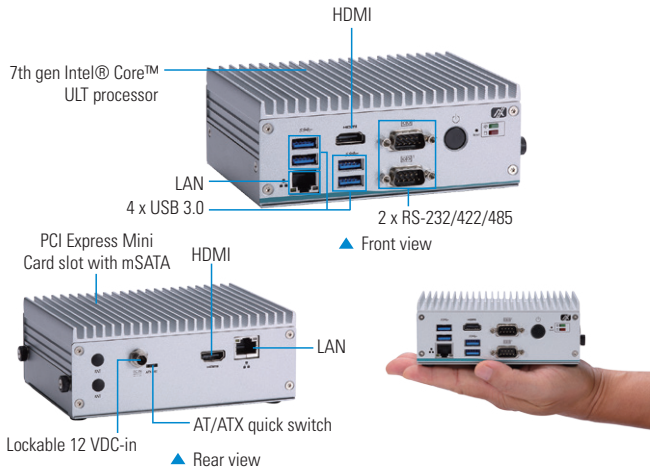
Packing List

- 1 x Screws pack
- 4 x Pre-installed foot pad

Power Protection

AC Version

- OVP (over voltage protection)
- OCP (over current protection)
- SCP (short circuit protection)



Ordering Information

Standard

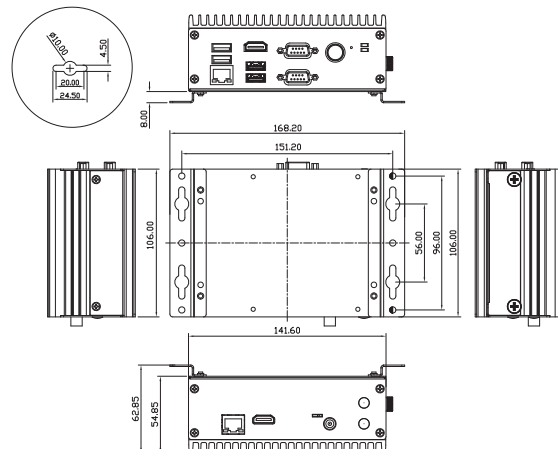
| | |
|--|---|
| eBOX560-512-FL-DC-7300U (P/N: E36K560151) | Fanless embedded system with Intel® Core™ i5-7300U 2.6 GHz, 2 HDMI, 2 GbE LAN, 4 USB 3.0, and PCI Express Mini Card slot (w/o adapter & power cord) |
| eBOX560-512-FL-DC-7100U (P/N: E36K560152) | Fanless embedded system with Intel® Core™ i3-7100U 2.4 GHz, 2 HDMI, 2 GbE LAN, 4 USB 3.0, and PCI Express Mini Card slot (w/o adapter & power cord) |
| eBOX560-512-FL-DC-3965U (P/N: E36K560150) | Fanless embedded system with Intel® Celeron® 3965U 2.2 GHz, 2 HDMI, 2 GbE LAN, 4 USB 3.0, and PCI Express Mini Card slot (w/o adapter & power cord) |

Optional

| | |
|---------------|-----------------------|
| 2.5" SATA HDD | 64GB or above |
| 2.5" SATA SSD | 100GB or above |
| DDR4 SO-DIMM | 2GB to 16GB |
| 8816K5601A0E | Wall mount kit |
| 8816K560AA0E | VESA arm kit |
| 8816K560BA0E | DIN-rail kit |
| | Wi-Fi module |
| 50966124050E | 12V 60W power adapter |
| | Power cord |

* Specifications and certifications may vary based on different requirements.

Dimensions



eBOX560-900-FL

Fanless Edge AI System with NVIDIA® Jetson™ TX2, HDMI 2.0, 2 GbE LAN, and USB 2.0

Features

- NVIDIA® Jetson™ TX2 with Pascal™, 256 CUDA cores GPU
- High AI computing performance for GPU-accelerated processing
- Ideal for intelligent edge applications
- Supports M.2 KEY M 2280 NVMe SSD
- Supports JetPack
- Ultra-compact enclosure design

NVIDIA TX2 will be available until 2025*

The official end of life notice will be sent at least 8 months before the last shipment.



Specifications

| | |
|-----------------------|---|
| Standard Color | Silver |
| Construction | Aluminum extrusion and heavy-duty steel, IP40 |
| CPU Board | NVIDIA® Jetson™ TX2 |
| CPU | HMP Dual Denver 2/2 MB L2 + Quad ARM® A57/2 MB L2 |
| GPU | NVIDIA® Pascal™, 256 CUDA cores |
| System Memory | 1 x 8GB 128-bit LPDDR4@1866 MHz onboard |
| Carried Board | SBC87900 |
| System I/O Outlet | 1 x HDMI 2.0 with 4K2K supported 2 x 10/100/1000 Mbps Ethernet (NVIDIA® and Intel® i210-IT) 1 x USB 2.0 1 x 12 VDC power input connector 4 x SMA-type antenna connector |
| Watchdog Timer | Built-in Jetson™ TX2 |
| Storage | Onboard 32GB eMMC (via Jetson™ TX2) 1 x M.2 Key M 2280 with PCIe 2.0 x4 NVMe SSD slot *The bootable device is supported by eMMC only |
| Wireless Module | 802.11ac WLAN, Bluetooth onboard with N Jack type antennas |
| Expansion Interface | 1 x Full-size PCI Express Mini Card slot (USB + PCIe signal) *Either Mini PCIe connector or LAN Intel® i210-IT (Jumper Select) 1 x SIM slot |
| TPM | N/A |
| System Indicator | 1 x Green LED for system power-on 1 x Green LED for storage |
| Power Supply | 12 VDC screw type |
| Operating Temperature | -30°C to +60°C (-22°F to +140°F) |
| Humidity | 10% - 95%, non-condensing |
| Vibration Endurance | 3 Grms with M.2 (5 to 500Hz, X, Y, Z directions) |
| Dimensions | 141.6 mm (5.57") (W) x 106 mm (4.17") (D) x 55 mm (2.17") (H) |
| Weight (net/gross) | 0.8 kg (1.76 lb)/1.5 kg (3.31 lb) |
| Certifications | CE, FCC Class A |
| OS Support | Linux Ubuntu 18.04 |

Packing List

- 1 x Screws pack
- 2 x Wi-Fi antenna



Power Protection

AC to DC adapter

- OVP (over voltage protection)
- OCV (over current protection)
- SCP (short circuit protection)
- UVP (under voltage protection)

Ordering Information

Standard

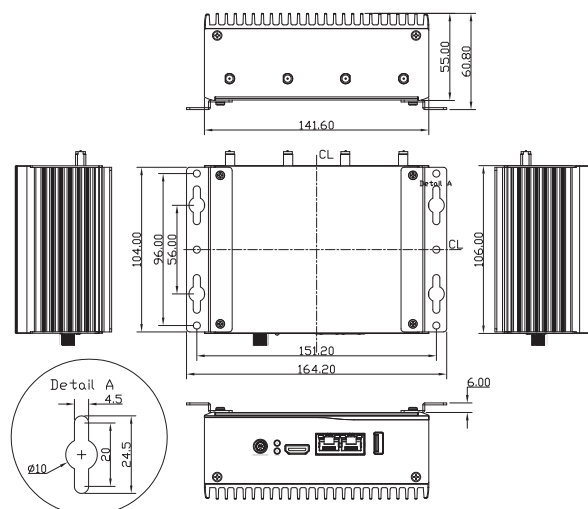
| | |
|--|--|
| eBOX560-900-FL-DC (P/N: E36K560146) | Fanless embedded system with NVIDIA® Jetson™ TX2, HDMI 2.0, 2 GbE LAN, USB 2.0 w/STD Jetpack image, and Wi-Fi antenna (w/o adapter & power cord) |
|--|--|

Optional

| | |
|--------------|-------------------------------------|
| 8816K5601A0E | Wall mount kit |
| 8816K560AA0E | VESA arm kit |
| 8816K560BA0E | DIN-rail kit kit |
| M.2 NVMe SSD | 128GB or above LTE module |
| 50966124050E | 12V 60W power adapter Power cord |

* Specifications and certifications may vary based on different requirements.

Dimensions



eBOX565-52R-FL

Fanless Embedded System with Intel® Core™ i5-8365UE or Celeron® 4305UE Processor, HDMI/DisplayPort++, 2 GbE LAN, 2 COM, 4 USB, and 9 to 36 VDC Power Input

Features

- 8th gen Intel® Core™ or Celeron® processor onboard (Whisky Lake-U)
- One M.2 Key E 2230 for Wi-Fi module
- 260-pin DDR4-2400 SO-DIMM for up to 32GB of memory
- 2 GbE LAN and 2 USB 3.1 Gen2
- Supports DisplayPort++ and HDMI for dual independent displays
- Multiple mounting designs: wall mount, DIN-rail, and VESA mount
- 9 to 36 VDC wide range input



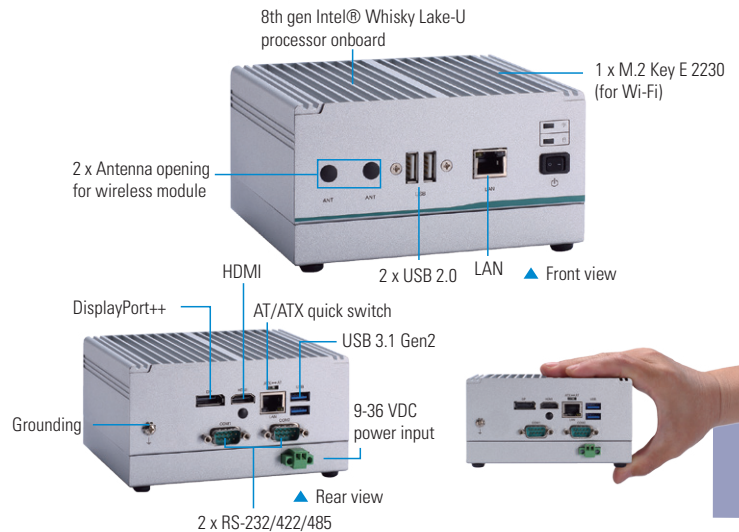
Specifications

| | |
|-----------------------|---|
| Standard Color | Silver |
| Construction | Aluminum extrusion and heavy-duty steel, IP40 |
| CPU | Intel® Core™ i5-8365UE, 1.6 GHz Intel® Celeron® 4305UE, 2.0 GHz |
| System Memory | 1 x 260-pin DDR4-2400 SO-DIMM, max. up to 32GB |
| Chipset | SoC integrated |
| BIOS | AMI UEFI BIOS |
| System I/O Outlet | 2 x RS-232/422/485 2 x 10/100/1000 Mbps Ethernet (Intel® i219-LM, Intel® i211-AT) 2 x USB 2.0 2 x USB 3.1 Gen2 1 x DisplayPort++ 1 x HDMI (lockable) 1 x ATX power switch 1 x AT/ATX quick switch 1 x Screw type VDC power input connector 2 x Antenna opening 1 x Phoenix type VDC power input connector |
| Watchdog Timer | 65535 levels, 1 to 65536 sec. |
| Storage | 1 x 2.5" SATA HDD drive bay (max. up 9.5 mm height) |
| Expansion Interface | 1 x M.2 Key E 2230 (for Wi-Fi) |
| TPM | N/A |
| System Indicator | 1 x Green LED for system power-on 1 x Orange LED for HDD active |
| Power Input | 9 - 36 VDC |
| Operating Temperature | -10°C to +50°C (+14°F to +122°F) with 0.7 m/s air flow (with W.T. SSD/DRAM) |
| Storage Temperature | -20°C to +80°C (-4°F to +185°F) |
| Humidity | 10% - 90%, non-condensing |
| Vibration Endurance | IEC 60068-2-64 (with SSD: 3Grms STD, random, 5 to 500 Hz, 1 hr/axis) |
| Shock Vibration | IEC 60068-2-27 (with SSD: 50G, half sine, 11 ms duration) |
| Dimensions | 141.6 mm (5.57") (W) x 106 mm (4.17") (D) x 73 mm (2.87") (H) |
| Weight (net/gross) | 1.1 kg (2.43 lb)/1.8 kg (3.96 lb) |
| Certifications | CE, FCC Class A |
| EOS Support | Win 10 IoT, Linux |
| Software Support | AMS.AXView |

* W.T.: Wide Temperature. All W.T. supported products have to be sorted by Axiomtek.

Packing list

- 4 x Pre-installed foot pad
- 1 x Screw pack
- 1 x HDD bracket
- 1 x DRAM thermal pad bracket
- 2 x DRAM thermal pad
- 1 x 2-pin terminal block connector



Power Protection

DC Version

- OVP (over voltage protection)
- OCP (over current protection)
- SCP (short circuit protection)
- Reserve protection

Ordering Information

Standard

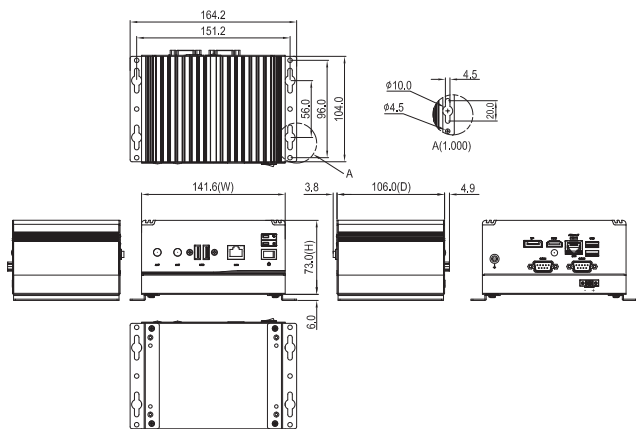
| | |
|--------------------------|--|
| eBOX565-52R-FL-DC-8365UE | Fanless embedded system with Intel® i5-8365UE, HDMI, DisplayPort++, 2 GbE LAN, 2 COM, 4 USB, and 9 to 36 VDC (P/N: E36K565109) |
| eBOX565-52R-FL-DC-4305UE | Fanless embedded system with Intel® Celeron® 4305UE, HDMI, DisplayPort++, 2 GbE LAN, 2 COM, 4 USB, and 9 to 36 VDC (P/N: E36K565110) |

Optional

| | |
|---------------|------------------------|
| DDR4 SO-DIMM | 4G to 32GB |
| 2.5" SATA HDD | 64GB or above |
| 2.5" SATA SSD | 100GB or above |
| 8816K560BA0E | DIN-Rail kit |
| 8816K560AA0E | VESA mount kit |
| 8816K560IA0E | Wall mount kit |
| 50906D24000E | 24V 120W power adapter |
| | Power cord |
| 8816K560JA0E | M.2 W.T Wi-Fi kit |

* Specifications and certifications may vary based on different requirements.

Dimensions



eBOX565-500-FL

Fanless Embedded System with Intel® Core™ i5-6300U/i3-6100U or Celeron® 3955U, 2 HDMI, 2 GbE LAN, 4 USB 3.0, 2 COM, and 9 to 36 VDC

Features

- Intel® Core™ i5-6300U 2.4 GHz/i3-6100U 2.3 GHz or Celeron® 3955U 2.0 GHz (Skylake ULT SoC)
- 260-pin DDR4-2133 SO-DIMM for up to 16GB of memory
- 9 to 36 VDC wide range input
- Supports 2 HDMI, 2 COM, and 4 USB 3.0
- Supports Jumbo Frame (9.5K), WoL, PXE and Teaming
- Ultra-compact enclosure design



Specifications

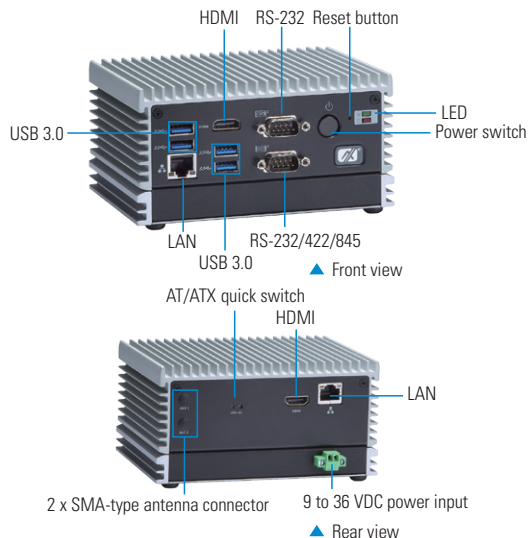
| | |
|-----------------------|---|
| Standard Color | Silver-black |
| Construction | Aluminum extrusion and heavy-duty steel, IP40 |
| CPU | Intel® Core™ i5-6300U 2.4 GHz/i3-6100U 2.3 GHz or Celeron® 3955U 2.0 GHz (Skylake ULT SoC) |
| System Memory | 1 x 260-pin DDR4-2133 SO-DIMM, up to 16GB |
| Chipset | SoC integrated |
| BIOS | AMI |
| System I/O Outlet | 1 x RS-232/422/485 1 x RS-232 2 x HDMI 2 x 10/100/1000 Mbps Ethernet (Intel® i210-AT, i219-LM) 4 x USB 3.0 2 x SMA-type antenna connector 1 x AT/ATX quick switch 1 x ATX power switch 1 x Reset button 1 x Phoenix type VDC power input connector |
| Watchdog Timer | 255 levels, 1 to 255 sec. |
| Storage | 1 x 2.5" SATA HDD drive bay (max. up 9.5 mm height) 1 x mSATA (enabled in BIOS setting) |
| Expansion Interface | 1 x Full-size PCI Express Mini Card slot (USB + PCIe signal) |
| TPM | N/A |
| System Indicator | 1 x Green LED for system power-on 1 x Orange LED for HDD active |
| Power Input | 9 to 36 VDC |
| Operating Temperature | -10°C to +50°C (+14°F to +122°F) (with W.T. SSD) |
| Humidity | 10% - 95%, non-condensing |
| Vibration Endurance | 3 Grms with SSD™ (5 to 500Hz, X, Y, Z directions) |
| Dimensions | 141.6 mm (5.57") (W) x 106 (4.17") mm (D) x 73 mm (2.87") (H) |
| Weight (net/gross) | 1.074 kg (1.76lb)/1.67 kg (3.68lb) |
| Certifications | CE |
| EOS Support | Win 10 IoT, WE8S, Linux |

* W.T.: Wide Temperature. All W.T. supported products have to be sorted by Axiomtek.

Packing List

DC Version

- 1 x Screws pack
- 4 x Pre-installed foot pad
- 1 x 2-pin terminal block connector



Power Protection

- OVP (over voltage protection)
- OCP (over current protection)
- SCP (short circuit protection)
- Reverse protection

Ordering Information

Standard

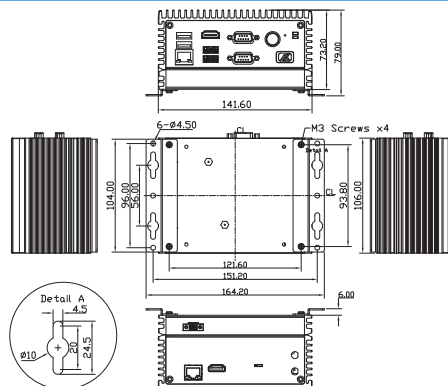
| | |
|--|--|
| eBOX565-500-FL-DC-6300U (PN: E36K565100) | Fanless embedded system with Intel® Core™ i5-6300U, 2 HDMI, 2 GbE LAN, 4 USB 3.0, 2 COM, PCI Express Mini Card slot, and 9 to 36 VDC |
| eBOX565-500-FL-DC-6100U (PN: E36K565102) | Fanless embedded system with Intel® Core™ i3-6100U, 2 HDMI, 2 GbE LAN, 4 USB 3.0, 2 COM, PCI Express Mini Card slot, and 9 to 36 VDC |
| eBOX565-500-FL-DC-3955U (PN: E36K565101) | Fanless embedded system with Intel® Celeron® 3955U, 2 HDMI, 2 GbE LAN, 4 USB 3.0, 2 COM, PCI Express Mini Card slot, and 9 to 36 VDC |

Optional

| | |
|---------------|------------------------|
| 2.5" SATA HDD | 64GB or above |
| 2.5" SATA SSD | 100GB or above |
| DDR4 SO-DIMM | 2GB to 16GB |
| 8816K560IA0E | Wall mount kit |
| 8816K560AA0E | VESA arm kit |
| 8816K560BA0E | DIN-rail kit |
| 50906D24000E | 24V 120W power adapter |
| | Power cord |
| | Wi-Fi module |

* Specifications and certifications may vary based on different requirements.

Dimensions



eBOX625-312-FL

Fanless Embedded System with Intel® Celeron® N3350 2.4 GHz or Pentium® N4200 2.5 GHz, HDMI, VGA, 2 GbE LAN, 6 USB and 3 COM

Features

- Intel® Celeron® N3350 or Pentium® N4200 onboard
- 204-pin DDR3L-1866 SO-DIMM for up to 8GB of memory
- Supports 2 GbE LAN, 3 COM, and 6 USB
- Supports one 2.5" SATA drive bay and mSATA
- Trusted Platform Module (TPM) 1.2
- 2 PCI Express Mini Card slots and 1 SIM slot
- -20°C to +65°C operating temperature range
- AMS.AXView intelligent remote monitoring software for IIoT



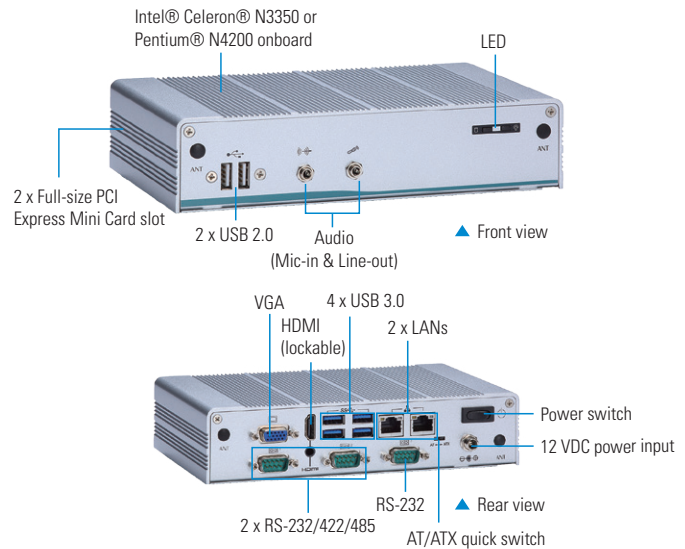
Specifications

| | |
|-----------------------|--|
| Standard Color | Silver |
| Construction | Aluminum extrusion and heavy-duty steel, IP40 |
| CPU | Intel® Celeron® Processor N3350 2.4 GHz Intel® Pentium® Processor N4200, 2.5 GHz |
| System Memory | 1 x 204-pin DDR3L-1866 SO-DIMM, up to 8GB |
| Chipset | SoC integrated |
| BIOS | AMI |
| System I/O Outlet | 2 x RS-232/422/485 1 x RS-232 1 x HDMI (lockable) 1 x VGA 1 x Audio (Mic-in/Line-out) 2 x 10/100/1000 Mbps Ethernet (Intel® i211-AT) 4 x USB 3.0 2 x USB 2.0 4 x SMA-type antenna connector 1 x Screw type VDC power input connector 1 x AT/ATX switch 1 x ATX power switch |
| Watchdog Timer | 65536 levels, 1 to 65535 sec. |
| Storage | 1 x 2.5" SATA HDD drive bay (max. up 9.5 mm height) 1 x mSATA (enabled in BIOS setting) |
| Expansion Interface | 2 x Full-size PCI Express Mini Card slot (USB + PCIe signal) 1 x SIM slot |
| TPM | TPM 1.2 |
| System Indicator | 1 x Green LED for system power-on 1 x Yellow LED for HDD/SSD active |
| Power Supply | Input AC 90 to 264V, AC 60W adapter with lock Output: 12 VDC, 5A |
| Operating Temperature | Turbo Mode -20°C to +60°C (-4°F to +140°F) (with W.T. SSD/DRAM) (default) Non-turbo Mode -20°C to +65°C (-4°F to +149°F) (with W.T. SSD/DRAM) |
| Humidity | 10% - 95%, non-condensing |
| Shock Vibration | IEC 60068-2-27 (with SSD: 50G, half sine, 11 ms duration) |
| Vibration Endurance | IEC 60068-2-64 (with SSD: 3Grms STD, random, 5 to 500 Hz, 1 hr/axis) |
| Dimensions | 200 mm (7.87") (W) x 120 mm (4.72") (D) x 46 mm (1.81") (H) |
| Weight (net/gross) | 1.1 kg (2.43 lb)/1.8 kg (3.97 lb) |
| Certifications | CE, FCC Class A |
| EOS Support | Win10 IoT, Linux |
| Software Support | AMS.AXView |

* W.T.: Wide Temperature. All W.T. supported products have to be sorted by Axiomtek.

Packing List

- 1 x Screws pack
- 1 x DRAM thermal pad
- 4 x Pre-installed foot pad



Power Protection

AC Version

- OVP (over voltage protection)
- UVP (under voltage protection)
- SCP (short current protection)

Ordering Information

Standard

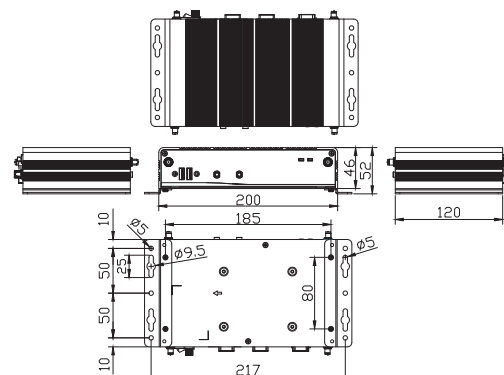
| | |
|--|---|
| eBOX625-312-FL-DC-N3350 (P/N: E36K625114) | Fanless embedded system with Intel® Celeron® N3350 2.4 GHz, HDMI, VGA, 2 GbE LAN, 6 USB, and 3 COM (w/o 12V 60W adapter and power cord) |
| eBOX625-312-FL-DC-N4200 (P/N: E36K625115) | Fanless embedded system with Intel® Pentium® N4200 2.5 GHz, HDMI, VGA, 2 GbE LAN, 6 USB, and 3 COM (w/o 12V 60W adapter and power cord) |

Optional

| | |
|---------------|-------------------------------------|
| 2.5" SATA HDD | 64GB or above |
| 2.5" SATA SSD | 100GB or above |
| DDR3L SO-DIMM | 2GB to 8GB |
| mSATA | 64MB or above |
| 8816K6271A0E | Wall mount Kit |
| 8816K6272A0E | VESA mount kit |
| 8816K6273A0E | DIN-rail kit |
| | 3G/LTE module |
| 50966124050E | 12V 60W power adapter Power cord |

* Specifications and certifications may vary based on different requirements.

Dimensions

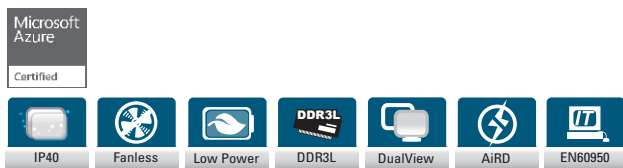


eBOX625-853-FL

Fanless Embedded System with Intel® Celeron® Processor N3160, VGA, HDMI, 4 COM, 2 GbE LAN, 4 USB, and 2 PCI Express Mini Card Slots

Features

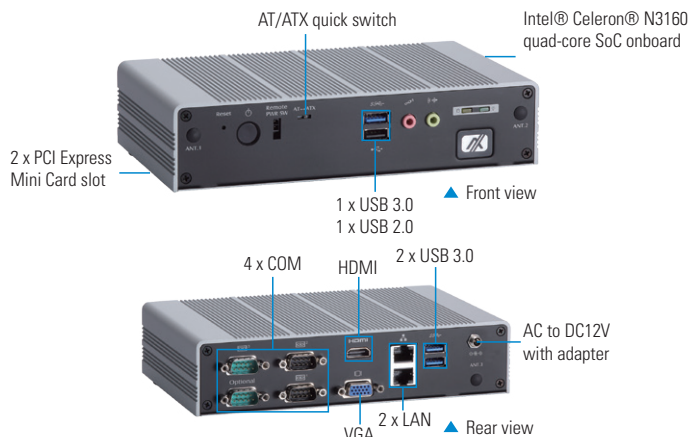
- Intel® Celeron® Processor N3160 2.24 GHz (Braswell)
- HDMI and VGA with dual view supported
- Supports 4 COM and 4 USB
- 2 GbE LAN support WoL, Teaming, and PXE
- 2 PCI Express Mini Card slots for WLAN/WWAN/mSATA
- -20°C to +60°C operating temperature range
- Intel® Virtualization Technology (Intel® VT-x)



Specifications

| | |
|-----------------------|--|
| Standard Color | Silver-black |
| Construction | Aluminum extrusion and heavy-duty steel, IP40 |
| CPU | Intel® Celeron® processor N3160 2.24 GHz (2M Cache, up to 2.24 GHz) |
| System Memory | 1 x 204-pin DDR3L-1333/1600 SO-DIMM, up to 8GB |
| Chipset | SoC integrated |
| BIOS | AMI |
| System I/O Outlet | 2 x 10/100/1000 Mbps Ethernet (Intel® i211-AT) 1 x RS-232/422/485 3 x RS-232 3 x USB 3.0 1 x USB 2.0 1 x Audio (Mic-in/Line-out) 1 x HDMI (4K supported) 1 x VGA 1 x Screw type VDC power input connector 1 x ATX power switch 1 x Remote power switch 1 x Reset switch 1 x AT/ATX quick switch 3 x Antenna opening 8-CH programmable DIO (optional) |
| Watchdog Timer | 255 levels, 1 to 255 sec. |
| Storage | 1 x 2.5" HDD drive bay (max. up 15 mm height) 1 x mSATA (enabled in BIOS setting) |
| Expansion Interface | 1 x Full-size PCI Express Mini Card slot (USB + PCIe signal) 1 x Full-size PCI Express Mini Card slot (USB + PCIe signal) 1 x SIM slot |
| TPM | N/A |
| System Indicator | 1 x Green LED for system power-on 1 x Yellow LED for HDD active |
| Power Supply | Input: AC 90-264V, AC 36 W adapter with lock Output: DC 12V@3A |
| Operating Temperature | -20°C to +60°C (-4°F to +140°F) (with W.T. SSD/DRAM) |
| Humidity | 10% - 95%, non-condensing |
| Vibration Endurance | 3 Grms with SSD (5 to 500Hz, X, Y, Z directions) |
| Dimensions | 200 mm (7.87") (W) x 120 mm (4.72") (D) x 46 mm (1.81") (H) |
| Weight (net/gross) | 1.2 kg (2.65 lb)/1.9 kg (4.19 lb) |
| Certifications | CE |
| EOS Support | WES7, WE8S, Win 10 IoT, Linux |

* W.T.: Wide Temperature. All W.T. supported products have to be sorted by Axiomtek.



Power Protection

AC Version

- OVP (over voltage protection)
- UVP (under voltage protection)
- SCP (short current protection)

Ordering Information

Standard

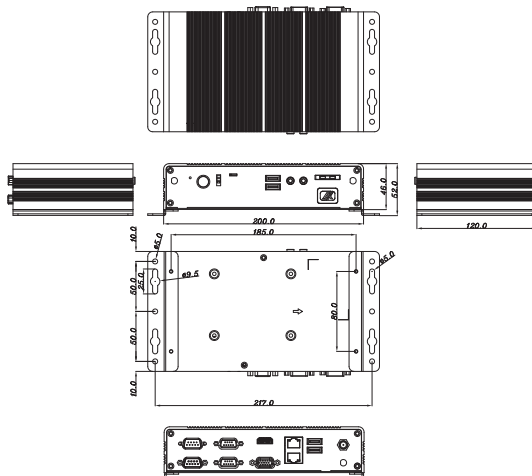
| | |
|---|---|
| eBOX625-853-FL-DC-N3160 (P/N: E36K625118) | Fanless embedded system with Intel® Celeron® N3160, VGA, HDMI, 4 COM, 2 GbE LAN, 4 USB, and 2 PCI Express Mini Card slots |
|---|---|

Optional

| | |
|---------------|-----------------------|
| 2.5" SATA HDD | 64GB or above |
| 2.5" SATA SSD | 100GB or above |
| DDR3L SO-DIMM | 2GB to 8GB |
| mSATA | 64MB or above |
| 8816K6271A0E | Wall mount kit |
| 8816K6272A0E | VESA mount kit |
| 8816K6273A0E | DIN-rail kit |
| | 3G/LTE module |
| 50956A24030E | 12V 36W power adapter |
| | Power cord |

* Specifications and certifications may vary based on different requirements.

Dimensions



eBOX626-311-FL

Fanless Embedded System with Intel Atom® x5-E3940 1.8 GHz, HDMI, VGA, 2 GbE LAN, 6 USB, and 3 COM

Features

- Intel Atom® x5-E3940 onboard
- 204-pin DDR3L-1866 SO-DIMM for up to 8GB of memory
- Supports 2 GbE LAN, 3 COM, and 6 USB
- Supports one 2.5" SATA drive bay and mSATA
- Trusted Platform Module (TPM) 1.2
- 2 PCI Express Mini Card slots and 1 SIM slot
- -40°C to +60°C operating temperature range
- AMS.AXView intelligent remote monitoring software for IIoT



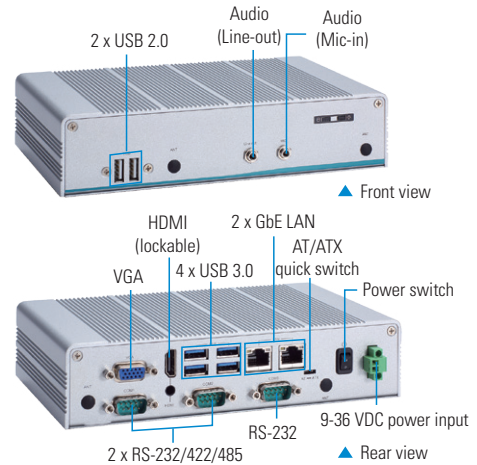
Specifications

| | |
|-----------------------|--|
| Standard Color | Silver |
| Construction | Aluminum extrusion and heavy-duty steel, IP40 |
| CPU | Intel Atom® Processor x5-E3940 1.8 GHz |
| System Memory | 1 x 204-pin DDR3L-1866 SO-DIMM, up to 8GB |
| Chipset | SoC integrated |
| BIOS | AMI |
| System I/O Outlet | 2 x RS-232/422/485 1 x RS-232 1 x HDMI (lockable) 1 x VGA 1 x Audio (Mic-in/Line-out) 2 x 10/100/1000 Mbps Ethernet (Intel® i211-AT) 4 x USB 3.0 2 x USB 2.0 4 x SMA-type antenna connector 1 x Phoenix type VDC power input connector 1 x AT/ATX switch 1 x ATX power switch |
| Watchdog Timer | 65536 levels, 1 to 65535 sec. |
| Storage | 1 x 2.5" SATA HDD drive bay (max. up 9.5 mm height) 1 x mSATA (enabled in BIOS setting) |
| Expansion Interface | 2 x Full-size PCI Express Mini Card slot (USB + PCIe signal) 1 x SIM slot |
| TPM | TPM 1.2 |
| System Indicator | 1 x Green LED for system power-on 1 x Yellow LED for HDD/SSD active |
| Power Supply | 9 to 36 VDC |
| Operating Temperature | -40°C to +60°C (-40°F to +140°F) (with W.T. SSD/DRAM for 9 to 36 VDC) (Default: Turbo mode) |
| Humidity | 10% - 95%, non-condensing |
| Shock Vibration | IEC 60068-2-27 (with SSD: 50G, half sine, 11 ms duration) |
| Vibration Endurance | IEC 60068-2-64 (with SSD: 3Grms STD, random, 5 to 500 Hz, 1 hr/axis) |
| Dimensions | 200 mm (7.87") (W) x 120 mm (4.72") (D) x 46 mm (1.81") (H) |
| Weight (net/gross) | 1.2 kg (2.65 lb)/1.6 kg (3.53 lb) |
| Certifications | CE, FCC Class A |
| EOS Support | Win10 IoT, Linux |
| Software Support | AMS.AXView |

* W.T.: Wide Temperature. All W.T. supported products have to be sorted by Axiomtek.

Packing List

- 1 x Screws pack
- 4 x Pre-installed foot pad
- 1 x DRAM thermal pad



Power Protection

AC Version

- OVP (over voltage protection)
- UVP (under voltage protection)
- SCP (short current protection)

Ordering Information

Standard

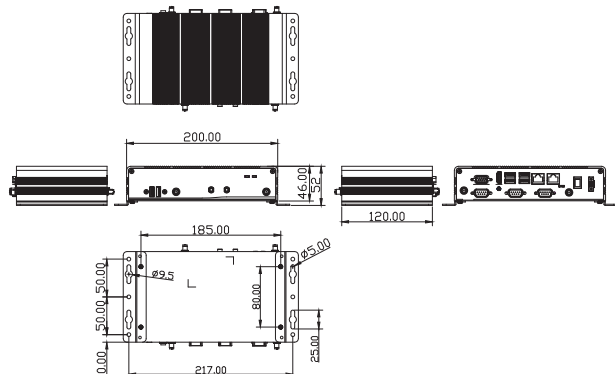
| | |
|-------------------------------------|---|
| eBOX626-311-FL (P/N: E36K626110) | Fanless embedded system with Intel Atom® x5-E3940 1.8 GHz, HDMI, VGA, 2 GbE LAN, 6 USB, and 3 COM (w/o 24V/120W adapter and power cord) |
|-------------------------------------|---|

Optional

| | |
|---------------|---|
| 2.5" SATA HDD | 320GB or above |
| 2.5" SATA SSD | 128GB or above |
| DDR3L SO-DIMM | 2GB to 8GB |
| mSATA | 64MB or above |
| 8816K6271A0E | Wall mount Kit |
| 8816K6272A0E | VESA mount kit |
| 8816K6273A0E | DIN-rail kit |
| 50906D24000E | 3G/LTE module 24V 120W power adapter Power cord |

* Specifications and certifications may vary based on different requirements.

Dimensions

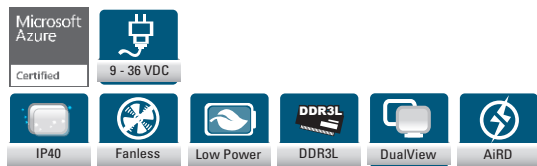


eBOX626-853-FL

Fanless Embedded System with Intel® Celeron® Processor N3160, VGA, HDMI, 4 COM, 2 GbE LAN, 4 USB, 2 PCI Express Mini Card Slots, and 9 to 36 VDC

Features

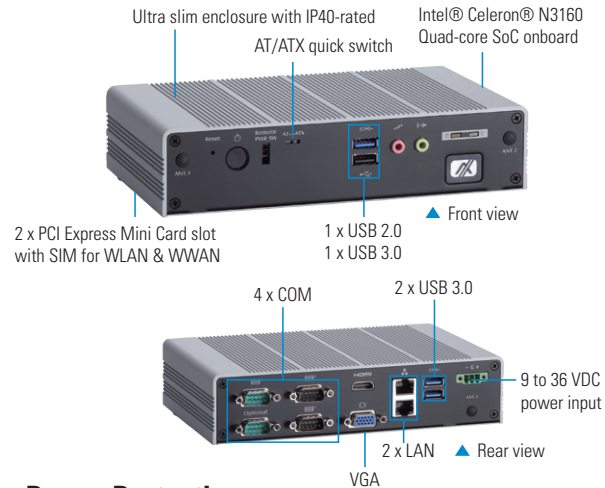
- Intel® Celeron® processor N3160 2.24 GHz (Braswell)
- HDMI and VGA with dual independent displays
- Supports 4 COM and 4 USB
- 2 GbE LAN support WoL, Teaming, and PXE
- 2 PCI Express Mini Card slots for WLAN/WWAN/mSATA
- 9 to 36 VDC wide range power input
- -20°C to +60°C operating temperature range



Specifications

| | |
|-----------------------|--|
| Standard Color | Silver-black |
| Construction | Aluminum extrusion and heavy-duty steel, IP40 |
| CPU | Intel® Celeron® processor N3160 2.24 GHz (2M up to 2.24 GHz) |
| System Memory | 1 x 204-pin DDR3L-1333/1600 SO-DIMM, up to 8GB |
| Chipset | SoC integrated |
| BIOS | AMI |
| System I/O Outlet | 2 x 10/100/1000 Mbps Ethernet (Intel® i211-AT) 1 x RS-232/422/485 3 x RS-232 3 x USB 3.0 1 x USB 2.0 1 x Audio (Mic-in/Line-out) 1 x HDMI (4K supported) 1 x VGA 1 x Phoenix type VDC power input connector 1 x ATX power switch 1 x Remote power switch 1 x Reset switch 1 x AT/ATX quick switch 3 x Antenna opening 8-CH programmable DIO (optional) |
| Watchdog Timer | 255 levels, 1 to 255 sec. |
| Storage | 1 x 2.5" SATA HDD drive bay (max. up 15 mm height) 1 x mSATA (enabled in BIOS setting) |
| Expansion Interface | 1 x Full-size PCI Express Mini Card slot (USB + PCIe signal) 1 x Full-size PCI Express Mini Card slot (USB + PCIe signal) 1 x SIM slot |
| TPM | N/A |
| System Indicator | 1 x Green LED for system power-on 1 x Yellow LED for HDD active |
| Power Input | 42.5 W, 9 to 36 VDC |
| Operating Temperature | Standard: -20°C to +60°C (-4°F to +140°F) Boost mode: -20°C to +55°C (-4°F to +131°F) (with W.T. SSD/DRAM) |
| Humidity | 10% - 95%, non-condensing |
| Vibration Endurance | 3 Grms with SSD (5 to 500Hz, X, Y, Z directions) |
| Dimensions | 200 mm (7.87") (W) x 120 mm (4.72") (D) x 46 mm (1.81") (H) |
| Weight (net/gross) | 1.2 kg (2.65 lb)/1.9 kg (4.19 lb) |
| Certifications | CE |
| EOS Support | WES7, WE8S, Linux |

* W.T.: Wide Temperature. All W.T. supported products have to be sorted by Axiomtek.



Power Protection

DC Version

- OVP (over voltage protection)
- UVP (under voltage protection)
- OCV (over current protection)
- Reverse protection

Ordering Information

Standard

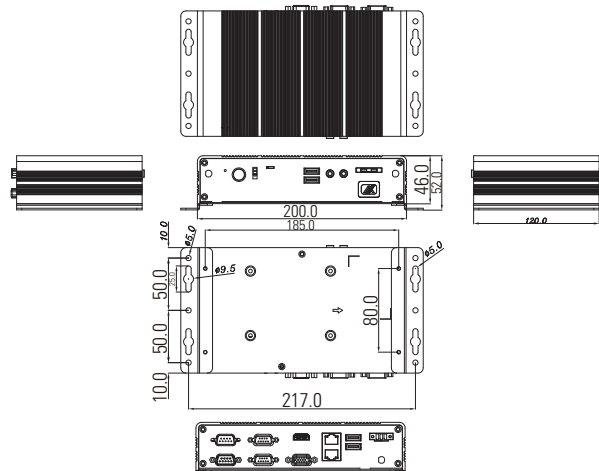
| | |
|-----------------------------|--|
| eBOX626-853-FL-N3160-DC | Fanless embedded system with Intel® Celeron® N3160, VGA, HDMI, 4 COM, 2 GbE LAN, 4 USB, 2 PCI Express Mini Card slots, and 9 to 36 VDC (P/N: E36K626104) |
| eBOX626-853-FL-N3160-DC-DIO | Fanless embedded system with Intel® Celeron® N3160, VGA, HDMI, 3 COM, 1 DIO, 2 GbE LAN, 4 USB, 2 PCI Express Mini Card slots, and 9 to 36 VDC (P/N: E36K626106) |

Optional

| | |
|---------------|-------------------------------------|
| 2.5" SATA HDD | 64GB or above |
| 2.5" SATA SSD | 100GB or above |
| DDR3L SO-DIMM | 2GB to 8GB |
| mSATA | 64MB or above |
| 8816K6271A0E | Wall mount kit |
| 8816K6272A0E | VESA mount kit |
| 8816K6273A0E | DIN-rail kit |
| | 3G/LTE module |
| 50956A24040E | 12V 36W power adapter Power cord |

* Specifications and certifications may vary based on different requirements.

Dimensions



eBOX627-312-FL

Fanless Embedded System with Intel® Celeron® N3350 2.4 GHz or Pentium® N4200 2.5 GHz, HDMI, 2 GbE LAN, 6 USB, 4 COM, and 9 to 36 VDC

Features

- Intel® Celeron® N3350 or Pentium® N4200 onboard
- 204-pin DDR3L-1866 SO-DIMM for up to 8GB of memory
- Support HDMI, 2 GbE LAN, 4 COM and 6 USB
- Supports flexible I/O window
- Trusted Platform Module 1.2 (TPM 1.2)
- -20°C to +70°C operating temperature range
- 9 to 36 VDC wide range DC input
- AMS.AXView 2.0 intelligent remote monitoring software for IIoT



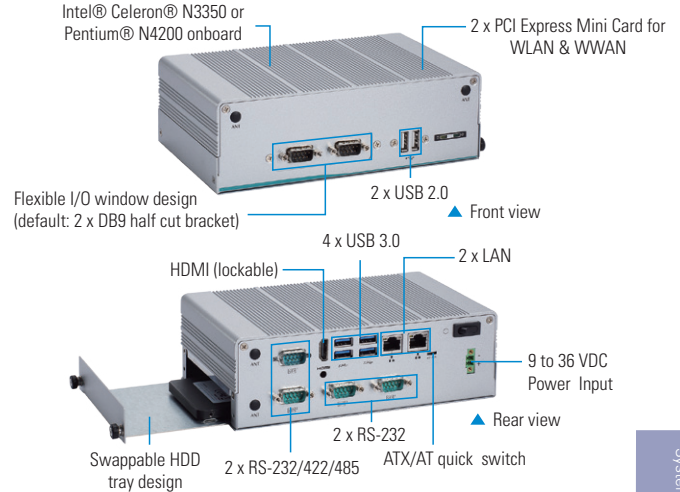
Specifications

| | |
|-----------------------|--|
| Standard Color | Silver |
| Construction | Aluminum extrusion and heavy-duty steel, IP40 |
| CPU | Intel® Celeron® Processor N3350 2.4 GHz Intel® Pentium® Processor N4200, 2.5 GHz |
| System Memory | 1 x 204-pin DDR3L-1866 SO-DIMM, up to 8GB |
| Chipset | SoC integrated |
| BIOS | AMI |
| System I/O Outlet | 2 x RS-232/422/485 2 x RS-232 1 x HDMI (lockable) 2 x 10/100/1000 Mbps Ethernet (Intel® i211-AT) 2 x USB 2.0 4 x USB 3.0 4 x SMA-type antenna connector 1 x Phoenix type VDC power input connector 1 x AT/ATX switch 1 x ATX power switch 1 x Flexible I/O Window (default : 2 x DB9 half cut bracket) |
| Watchdog Timer | 65536 levels, 1 to 65535 sec. |
| Storage | 1 x 2.5" SATA HDD bay (max. up 9.5 mm height) 1 x mSATA (enabled in BIOS setting) |
| Expansion Interface | 2 x Full-size PCI Express Mini Card slot (USB + PCIe signal) 1 x SIM slot |
| TPM | TPM 1.2 |
| System Indicator | 1 x Green LED for system power-on 1 x Yellow LED for HDD/SSD active |
| Power Input | 9 to 36 VDC |
| Operating Temperature | Turbo Mode -20°C to +65°C (-4°F to +149°F) (with W.T. SSD/DRAM for 9 to 36 VDC) (default) Non-turbo Mode -20°C to +70°C (-4°F to +158°F) (with W.T. SSD/DRAM for 12 or 24 VDC) |
| Humidity | 10% - 95%, non-condensing |
| Shock | IEC 60068-2-27 (with SSD: 50G, half sine, 11 ms duration) |
| Dimensions | 200 mm (7.87") (W) x 120 mm (4.72") (D) x 65 mm (2.55") (H) |
| Weight (net/gross) | 1.38 kg (3.04 lb)/2.08 kg (4.59 lb) |
| Certifications | CE, FCC Class A |
| EOS support | Win 10 IoT, Linux |
| Software Support | AMS.AXView |

* W.T.: Wide Temperature. All W.T. supported products have to be sorted by Axiomtek.

Packing List

- 1 x Screws pack
- 1 x DRAM thermal pad
- 4 x Pre-installed foot pad
- 1 x 2-pin terminal block connector



Power Protection

AC Version

- OVP (over voltage protection)
- UVP (under voltage protection)
- SCP (short current protection)

Ordering Information

Standard

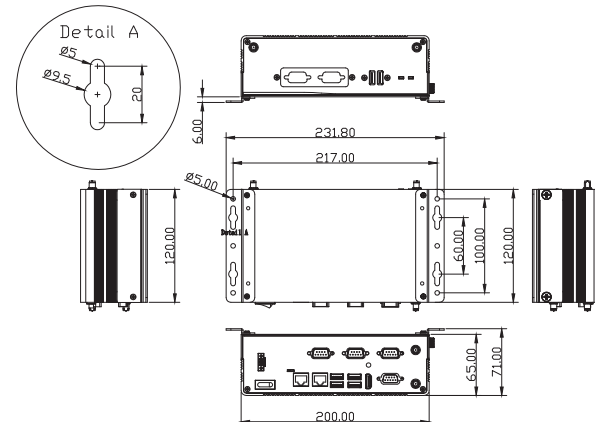
| | |
|--|--|
| eBOX627-312-FL-DC-N3350 (P/N: E36K627100) | Fanless embedded system with Intel® Celeron® N3350 2.4 GHz, 1 HDMI, 2 GbE LAN, 6 USB, 4 COM, and 9 to 36 VDC |
| eBOX627-312-FL-DC-N4200 (P/N: E36K627101) | Fanless embedded system with Intel® Celeron® N4200 2.5 GHz, 1 HDMI, 2 GbE LAN, 6 USB, 4 COM, and 9 to 36 VDC |

Optional

| | |
|---------------|--|
| 2.5" SATA HDD | 64GB or above |
| 2.5" SATA SSD | 100GB or above |
| DDR3L SO-DIMM | 2GB to 8GB |
| mSATA | 64GB or above |
| 8816K6271A0E | Wall mount Kit |
| 8816K6272A0E | VESA mount kit |
| 8816K6273A0E | DIN-rail kit |
| 50906D24000E | 24V 120W power adapter |
| | Power cord |
| | 3G/LTE module |
| E392903102 | AX92903 CANbus PCI Express Mini module |
| E392902103 | AX92902 LAN PCI Express Mini module |
| E392906101 | AX92906 COM PCI Express Mini module |
| E392904102 | AX92904 DIO PCI Express Mini module |
| E392918103 | AX92918 Dual LAN PCI express Mini module |

* Specifications and certifications may vary based on different requirements.

Dimensions



eBOX630-528-FL

Fanless Embedded System with 8th Gen Intel® Core™ i7/i5/i3 or Celeron® ULT Processor, 2 HDMI, 1 VGA, 3 GbE LAN, 6 USB, Dual PCI Express Mini Card Slots, and 9 to 36 VDC

Features

- 8th gen Intel® Core™ i7/i5/i3 or Celeron® ULT processor (Whiskey Lake-U)
- Dual-channel DDR4 2400 SO-DIMM for up to 64GB of memory
- Supports 2 HDMI, VGA, 3 GbE LAN, 4 COM, and 6 USB
- Trusted platform module (TPM 2.0 onboard)
- Fanless -40°C to +70°C* operating temperature
- 9 to 36 VDC wide range DC power input
- AMS.AXView intelligent remote monitoring software for IIoT

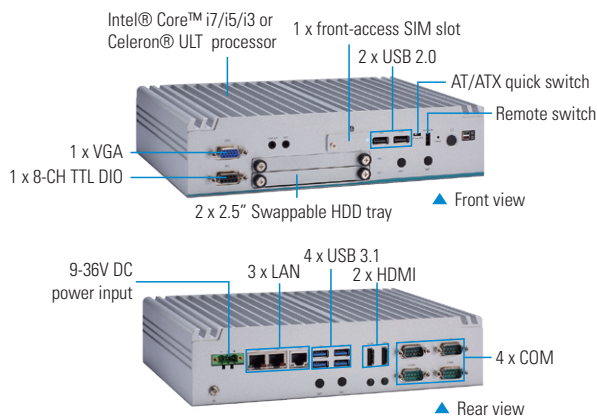
* -40°C to +70°C operating temp. at 0.7 m/s air flow



Specifications

| | |
|-----------------------|--|
| Standard Color | Silver |
| Construction | Aluminum extrusion and heavy-duty steel, IP40 |
| CPU | Intel® Core™ i7-8665UE/i5-8365UE/i3-8145UE or Celeron® 4305UE (TDP up to 15W) |
| System Memory | 2 x 260-pin DDR4-2400 SO-DIMM, up to 64GB |
| Chipset | SoC integrated |
| BIOS | AMI |
| System I/O Outlet | 2 x RS-232/422/485 (COM1/2) 2 x RS-232 (COM3/4) 2 x HDMI (lockable) 1 x VGA 3 x 10/100/100 Mbps Ethernet (1 x Intel® i219LM, 2 x Intel® i210IT) 2 x USB 3.1 Gen2 2 x USB 3.1 Gen1 2 x USB 2.0 1 x 8-CH TTL DIO via DB9 female 1 x Phoenix type VDC power input connector 1 x Audio (Mic-in/Line-out) 1 x ATX power switch 1 x ATX/ATX quick switch 1 x Remote power switch 1 x Reset switch 1 x Front-access SIM slot 4 x SMA-type antenna opening |
| Watchdog Timer | 255 levels, 1 to 255 sec. |
| Storage | 2 x 2.5" swappable HDD drive bay (max. up 9.5 mm height) 1 x mSATA (enabled in BIOS setting) |
| Expansion Interface | 2 x Full-size PCI Express Mini Card Slot A (USB + PCIe signal) Slot B (USB + PCIe + SATA signal) |
| TPM | TPM 2.0 |
| System Indicator | 1 x Green LED for system power-on 1 x Orange LED for HDD/SSD active |
| Power Input | 9 to 36 VDC |
| Operating Temperature | -40°C to +70°C (-40°F to +158°F) with 0.7 m/s air flow -40°C to +65°C (-40°F to +149°F) with 0.5 m/s air flow (with W.T. DRAM & SSD, CPU TDP 15W) |
| Humidity | 10% - 95%, non-condensing |
| Shock Vibration | IEC 60068-2-27 (with SSD: 50G, half sine, 11 ms duration) |
| Vibration Endurance | IEC 60068-2-64 (with SSD: 3Grms STD, random, 5 to 500 Hz, 1 hr/axis) |
| Dimensions | 250 mm (9.84") (W) x 170 mm (6.69") (D) x 60 mm (2.36") (H) |
| Weight (net/gross) | 2.4 kg (5.29 lb)/3.2 kg (7.0 lb) |
| Certifications | CE, FCC Class A |
| EOS Support | Win 10 IoT, Linux |
| Software Support | AMS.AXView |

* W.T.: Wide Temperature. All W.T. supported products have to be sorted by Axiomtek.



Packing List

- 2 x DRAM Thermal Pad
- 1 x DRAM Bracket
- 1 x Remote Switch Cable
- 1 x 3-pin phoenix connector
- 4 x Foot Pad
- 1 x Screw Pack

Power Protection

DC Version

- OVP (over voltage protection)
- UVP (under voltage protection)
- SCP (short current protection)

Ordering Information

Standard

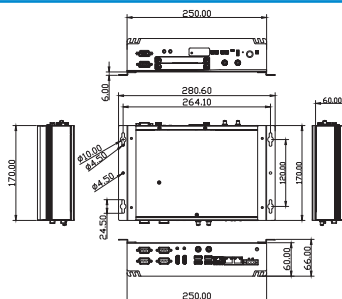
| | |
|---|--|
| eBOX630-528-FL-8665UE (P/N: E360630125) | Fanless embedded system with Intel® Core™ i7-8665UE, 2 HDMI, 1 VGA, 3 GbE LAN, 6 USB, and 9 to 36 VDC |
| eBOX630-528-FL-8365UE (P/N: E360630126) | Fanless embedded system with Intel® Core™ i5-8365UE, 2 HDMI, 1 VGA, 3 GbE LAN, 6 USB, and 9 to 36 VDC |
| eBOX630-528-FL-8145UE (P/N: E360630127) | Fanless embedded system with Intel® Core™ i3-8145UE, 2 HDMI, 1 VGA, 3 GbE LAN, 6 USB, and 9 to 36 VDC |
| eBOX630-528-FL-4305UE (P/N: E360630128) | Fanless embedded system with Intel® Core™ Celeron 4305UE, 2 HDMI, 1 VGA, 3 GbE LAN, 6 USB, and 9 to 36 VDC |

Optional

| | |
|---------------|---|
| 2.5" SATA HDD | 256GB or above |
| 2.5" SATA SSD | 100GB or above |
| DDR4 SO-DIMM | 4GB to 32GB |
| mSATA | 64GB or above |
| 881606302A0E | Wall mount kit |
| 881606303A0E | DIN-rail kit |
| 50906D24000E | 24V 120W power adapter Power cord 3G/LTE module |

* Specifications and certifications may vary based on different requirements.

Dimensions



eBOX638-842-FL

Fanless Embedded System with Intel® Celeron® Processor J1900, VGA, HDMI, 4 COM, 6 USB, Dual Expansion Slots, and 9 to 36 VDC Input

Features

- Intel® Celeron® Processor J1900 2.0 GHz
- Fanless operation design with full feature I/O
- HDMI and VGA with dual-view supported
- 6 USB, 2 LAN, and 4 COM
- PCI Express Mini Card slot
- Flexible I/O window design
- Dual PCI or PCIe x1 slots
- 9 to 36 VDC wide range power input



Specifications

| | |
|-----------------------|---|
| Standard Color | Silver |
| Construction | Aluminum extrusion and heavy-duty steel, IP40 |
| CPU | Intel® Celeron® Quad-Core J1900 2.0 GHz |
| System Memory | 1 x 204-pin DDR3L-1066/1333 SO-DIMM, up to 8GB |
| Chipset | SoC integrated |
| BIOS | AMI |
| System I/O Outlet | 2 x RS-232/422/485 2 x RS-232 2 x 10/100/1000Mbps Ethernet (Realtek 8111F) 5 x USB 2.0 1 x USB 3.0 1 x Audio (Mic-in/Line-out) 1 x PS/2 keyboard & mouse 1 x HDMI 1 x VGA 1 x VDC power input connector 1 x ATX power switch 1 x Reset switch 2 x SMA-type antenna connector 1 x Flexible I/O window (default: 2 x DB9 half cut bracket) |
| Watchdog Timer | 255 levels, 1 to 255 sec. |
| Storage | 1 x 2.5" SATA HDD drive bay (max. up 15 mm height) 1 x mSATA (enabled in BIOS setting) |
| Expansion Interface | 2 x PCI or 2 x PCIe x1 slot 1 x Full-size PCI Express Mini Card slot (PCIe + USB signal) 1 x SIM slot |
| TPM | N/A |
| System Indicator | 1 x Green LED for system power 1 x Yellow LED for HDD active |
| Power Input | 9 to 36 VDC |
| Operating Temperature | -10°C to +55°C (+14°F to +131°F) (with W.T. DRAM & SSD) |
| Humidity | 10% - 90%, non-condensing |
| Vibration Endurance | 2 Grms with SSD (5 to 500 Hz, X, Y, Z directions) |
| Dimensions | 192mm (7.56") (W) x 230 mm (9.05") (D) x 115.8 mm (4.56") (H) |
| Weight (net/gross) | 4.1 kg (9.03 lb) / 4.8 kg (10.58 lb) |
| Certifications | CE compliance |
| EOS Support | WEST, Win 10 IoT |

* W.T.: Wide Temperature. All W.T. supported products have to be sorted by Axiomtek.

Packing List

- 1 x Screw pack
- 1 x 2-pin terminal block connector
- 1 x PCI riser card or 1 x PCIe riser card



Power Protection

DC Version

- OCP (over current protection)
- OVP (over voltage protection)
- SCP (short circuit protection)

Ordering Information

Standard

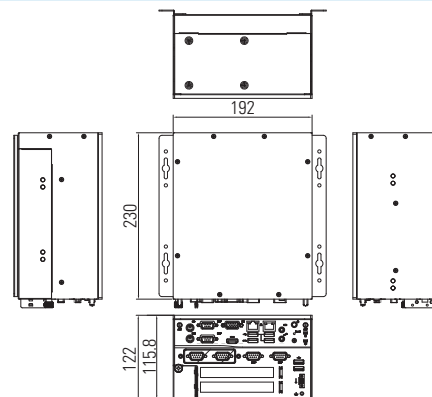
| | |
|---|---|
| eBOX638-842-FL-2 PCI (P/N: E360638108) | Fanless embedded system with Intel® Celeron® processor J1900 2.0 GHz, VGA, HDMI, 4 COM, 6 USB, 2 PCI slots, and 9 to 36 VDC input |
| eBOX638-842-FL-2 PCIe (P/N: E360638109) | Fanless embedded system with Intel® Celeron® processor J1900 2.0 GHz, VGA, HDMI, 4 COM, 6 USB, 2 PCIe x1 slots, and 9 to 36 VDC input |

Optional

| | |
|---------------|--|
| 2.5" SATA HDD | 64GB or above |
| 2.5" SATA SSD | 100GB or above |
| DDR3L SO-DIMM | 2GB to 8GB |
| mSATA | 64MB or above |
| 881606390A0E | Wall mount Kit 3G/LTE module |
| E392903102 | AX92903 CANbus PCI Express Mini module |
| E392902103 | AX92902 LAN PCI Express Mini module |
| E392904102 | AX92904 DIO PCI Express Mini module |
| E392918103 | AX92918 Dual LAN PCI express Mini module |
| 59406382110E | RS-232 cable, P=2.54, L=300mm |
| 50906D24000E | 24V 120W power adapter Power cord |

* Specifications and certifications may vary based on different requirements.

Dimensions



eBOX640-500-FL

Fanless Embedded System with LGA1151 Socket 7th/6th Gen Intel® Core™ or Celeron® Processor, Intel® H110, HDMI, DisplayPort, VGA, 6 USB, 4 COM, PCI Express Mini Card Slot, and 10 to 30 VDC

Features

- LGA1151 socket 7th/6th gen Intel® Core™ i7/i5/i3 or Celeron® processor (Kaby Lake/Skylake)
- Supports 4 COM, 6 USB and 2 GbE LAN
- Two 2.5" SATA drive bay
- PCI Express Mini Card slot and SIM slot
- Front I/O connectivity design
- 10 to 30 VDC wide range power input



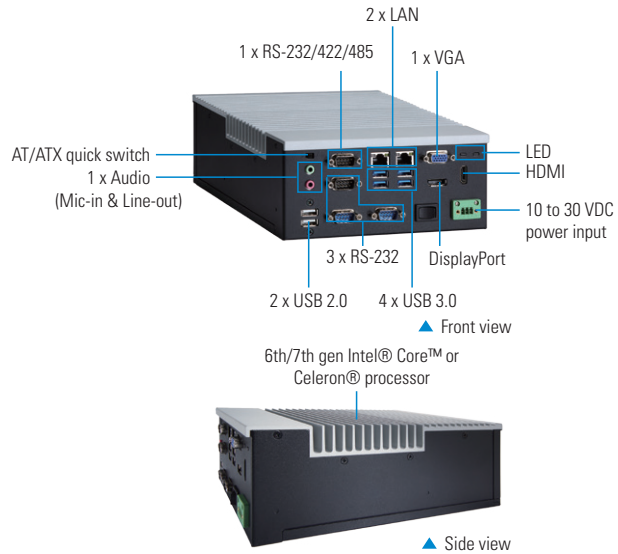
Specifications

| | |
|-----------------------|--|
| Standard Color | Silver-black |
| Construction | Aluminum extrusion and heavy-duty steel, IP40 |
| CPU | 7th/6th gen Intel® Core™ i7/i5/i3 or Celeron® processor (CPU TDP max. up to 35W) |
| System Memory | 2 x 288-pin DDR4-2133 DIMM, up to 32GB |
| Chipset | Intel® H110 |
| BIOS | AMI |
| System I/O Outlet | 1 x RS-232/422/485 3 x RS-232 2 x 10/100/1000Mbps Ethernet (Intel® i219-LM, i211-AT) 2 x USB 2.0 4 x USB 3.0 1 x Audio (Mic-in/Line-out) 1 x DisplayPort 1 x HDMI 1 x VGA 1 x Phoenix type VDC power input connector 1 x AT/ATX quick switch 2 x SMA-type antenna connector 1 x ATX power switch |
| Watchdog Timer | 255 levels, 1 to 255 sec. |
| Storage | 2 x 2.5" SATA HDD drive bay (max. up to 15 mm height) 1 x mSATA (enabled in BIOS setting) |
| Expansion Interface | 1x Full-size PCI Express Mini Card slot with mSATA supported (PCI Express + USB signal) 1 x SIM slot |
| TPM | N/A |
| System Indicator | 1 x Green for system power 1 x Orange LED for HDD active |
| Power Input | 10 to 30 VDC |
| Operating Temperature | -10°C to +55°C (+14°F to +131°F) (with W.T. DRAM/SSD for Skylake) -10°C to +50°C (+14°F to +122°F) (with W.T. DRAM/SSD for Kaby Lake) |
| Humidity | 10% - 90%, non-condensing |
| Vibration Endurance | 2 Grms with SSD (5 to 500 Hz, X, Y, Z directions) |
| Dimensions | 182 mm (7.16") (W) x 235.7mm (9.27") (D) x 82 mm (3.23") (H) |
| Weight (net/gross) | 3 kg (6.61 lb)/3.6 kg (7.94 lb) |
| Certifications | CE |
| EOS Support | Win 10 IoT, WE8S Linux |

* W.T.: Wide Temperature. All W.T. supported products have to be sorted by Axiomtek.

Packing List

- 1 x Screw pack
- 4 x Pre-installed foot pad
- 1 x 3-pin terminal block connector



Power Protection

DC Version

- OCP (over current protection)
- UVP (under voltage protection)

Ordering Information

Standard

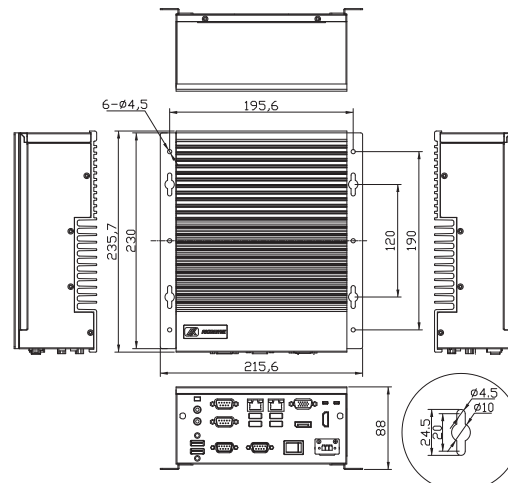
| | |
|--|---|
| eBOX640-500-FL-DC (P/N: E36K640100) | Fanless embedded system with LGA1151 7th/6th gen Intel® Core™ i7/i5/i3 or Celeron® processor, Intel® H110, HDMI, DisplayPort, VGA, 4 USB 3.0, 4 COM, PCI Express Mini Card slot, and 10 to 30 VDC |
|--|---|

Optional

| | |
|---------------|------------------------|
| 2.5" SATA HDD | 64GB or above |
| 2.5" SATA SSD | 100GB or above |
| DDR4 RAM | 2GB to 16GB |
| mSATA | 64MB or above |
| 8816K6400A0E | Wall mount kit |
| 8816K6401A0E | DIN-rail kit |
| | 3G/LTE module |
| 50906D24000E | 24V 120W power adapter |
| | Power cord |

* Specifications and certifications may vary based on different requirements.

Dimensions



eBOX640-521-FL

Fanless Embedded System with LGA1151 Socket 9th/8th Gen Intel® Core™ or Celeron® Processor, Intel® H310, HDMI, DisplayPort, 6 USB, 2 COM, and 8-CH DI/DO

Features

- LGA1151 socket 9th/8th gen Intel® Core™ i7/i5/i3 or Celeron® processor (Coffee Lake)
- Supports 2 COM, 6 USB, and 8-CH DI/DO
- Two 2.5" SATA drive bay
- M.2 Key E 2230 for Wi-Fi
- Front I/O connectivity design
- Supports flexible I/O window



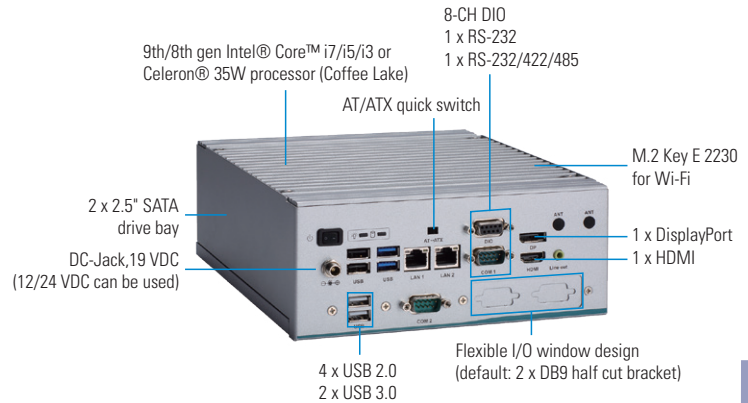
Specifications

| | |
|-----------------------|---|
| Standard Color | Silver |
| Construction | Aluminum extrusion and heavy-duty steel, IP40 |
| CPU | LGA1151 socket 9th/8th gen Intel® Core™ i7/i5/i3 or Celeron® processor (CPU TDP max. up to 35W) |
| System Memory | 2 x 260-pin DDR4-2400 SO-DIMM, up to 64GB |
| Chipset | Intel® H310 |
| BIOS | AMI |
| System I/O Outlet | 1 x RS-232/422/485 1 x RS-232 2 x 10/100/1000Mbps Ethernet (Intel® i219V-LM, i211-AT) 2 x USB 3.0 4 x USB 2.0 1 x Audio (Line-out) 1 x DisplayPort 1 x HDMI 1 x DC-jack power input 1 x 8-CH DIO (4-in/4-out) 4 x SMA-type antenna connector 1 x Flexible I/O window |
| Watchdog Timer | 255 levels, 1 to 255 sec. |
| Storage | 2 x 2.5" SATA HDD drive bay (max. up 9.5 mm height) |
| Expansion Interface | 1 x Full-size PCI-Express Mini Card slot (PCIe + SATA + USB) 1 x M.2 Key E 2230 (for Wi-Fi) |
| TPM | TPM 2.0 |
| System Indicator | 1 x Green for system power 1 x Orange LED for HDD active |
| Power Input | 19 VDC, 6.32A (12V, 24V DC can be used by option adapter) |
| Operating Temperature | -10°C to +50°C (14°F to 122°F) (with W.T. SSD/DRAM) |
| Humidity | 10% - 90%, non-condensing |
| Vibration Endurance | IEC 60068-2-64 (w/SSD: 3Grms STD, random, 5 - 500 Hz, 1 hr/axis) |
| Shock Vibration | IEC 60068-2-27 (w/SSD: 50G, half sine, 11 ms duration) |
| Dimensions | 195 mm (7.67") (W) x 210.6 mm (8.27") (D) x 80 mm (3.14") (H) |
| Weight (net/gross) | 3 kg (6.61 lb)/3.6 kg (7.94 lb) |
| Certifications | CE, FCC Class A |
| EOS Support | Win 10 IoT, Linux |

* W.T.: Wide Temperature. All W.T. supported products have to be sorted by Axiomtek.

Packing List

- 1 x Screws pack
- 4 x Foot pad
- 2 x HDD bracket
- 2 x DRAM Thermal pad



Power Protection

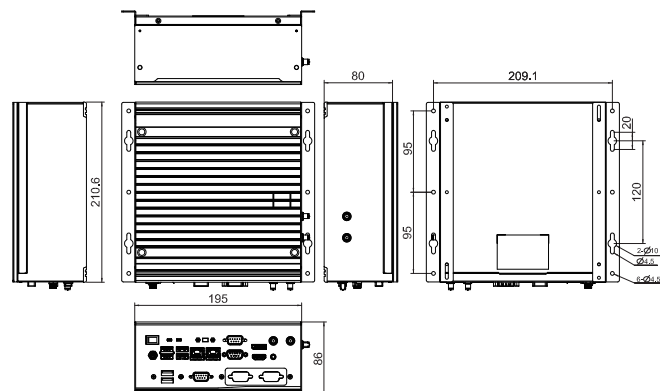
AC to DC Adapter
SCP (short circuit protection)
OVP (over voltage protection)

Ordering Information

| Standard | |
|-------------------------------------|--|
| eBOX640-521-FL-DC (P/N: E36K640103) | Fanless embedded system with LGA1151 9th/8th gen Intel® Core™ i7/i5/i3 or Celeron® processor, Intel® H310, HDMI, DisplayPort, 6 USB, 2 COM, M.2 slot, and 19 VDC |
| Optional | |
| 2.5" SATA HDD | 64GB or above |
| 2.5" SATA SSD | 100GB or above |
| DDR4 SO-DIMM | 4GB to 32GB |
| 8816K6718A0E | Wall mount kit |
| 8816K6404A0E | DIN-rail kit |
| | 3G/LTE module |
| 5095AD24000E | 19V 120W power adapter |
| | Power cord |
| E392903102 | AX92903 CAN Bus PCI Express Mini module |
| E392902103 | AX92902 LAN PCI Express Mini module |
| E392906101 | AX92906 COM PCI Express Mini module |
| E392905103 | AX92905 Audio PCI Express Mini module |
| E392918103 | AX92918 Dual LAN PCI Express Mini module |

* Specifications and certifications may vary based on different requirements.

Dimensions



eBOX670-891-FL

Fanless Embedded System with LGA1151 Socket 7th/6th Gen Intel® Core™ or Celeron® Processor, Intel® Q170, 2 HDMI, DisplayPort, 4 GbE LAN, 8 USB, 2 PCI Express Mini Card Slots

Features

- LGA1151 socket 7th/6th gen Intel® Core™ i7/i5/i3 or Celeron® processors (Kaby Lake/Skylake)
- 1 DisplayPort and 2 HDMI (1 HDMI 2.0) with triple view supported
- Supports Jumbo Frame (9.5k), WoL, PXE Remote Boot, and Teaming
- 9 to 36 VDC wide range power input
- Flexible I/O window design
- AMS.AXView intelligent remote monitoring software for IIoT



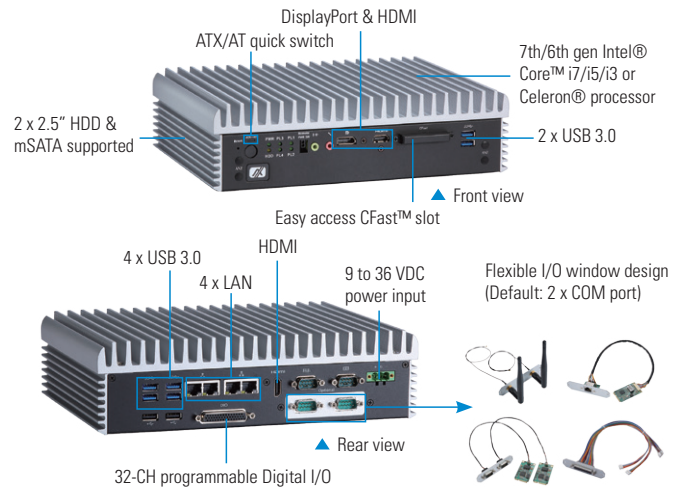
Specifications

| | |
|-----------------------|---|
| Standard Color | Silver-black |
| Construction | Aluminum extrusion and heavy-duty steel, IP40 |
| CPU | LGA1151 socket 7th/6th gen Intel® Core™ i7/i5/i3 or Celeron® processor (CPU TDP max. up to 35W) |
| System Memory | 6th gen: 2 x 260-pin SO-DIMM DDR4-1866/2133, up to 32GB 7th gen: 2 x 260-pin SO-DIMM DDR4-2133/2400, up to 32GB |
| Chipset | Intel® Q170 |
| BIOS | AMI |
| System I/O Outlet | 2 x RS-232/422/485 (onboard) 2 x RS-232/422/485 (via cable on flexible IO window) 2 x HDMI (1 x HDMI 2.0 & 1 x HDMI 1.4b) 1 x DisplayPort 1 x Audio (Mic-in/Line-out) 4 x 10/100/1000 Mbps Ethernet (Intel® i210-IT, i219-LM) 6 x USB 3.0 & 2 x USB 2.0 1 x 32-channel programmable DI/DO 4 x SMA-type antenna connector 1 x Phoenix type VDC power input connector 1 x ATX power switch 1 x Remote power switch 1 x AT/ATX quick switch 1 x Reset switch 1 x Flexible I/O window (default: 2 x COM port) |
| Watchdog Timer | 255 levels, 1 to 255 sec. |
| Storage | 2 x 2.5" SATA HDD drive bay (up to 15 mm height & RAID 0 & 1) 1 x CFast™ 1 x mSATA (enabled in BIOS setting) |
| Expansion Interface | 2 x Full-size PCI Express Mini Card slot (USB + PCI Express signal) 1 x SIM slot |
| System Indicator | 1 x Green LED for power-on 1 x Yellow LED for HDD active 4 x Green LED for programmable |
| TPM | N/A |
| Power Input | 9 to 36 VDC |
| Operating Temperature | -40°C to +60°C (-40°F to +140°F) (with W.T. DRAM/SSD for Skylake) -40°C to +55°C (-40°F to +131°F) (with W.T. DRAM/SSD for Kaby Lake) |
| Humidity | 10% - 95%, non-condensing |
| Vibration Endurance | 3 Grms with SSD (5 to 500 Hz, X, Y, Z directions) |
| Dimensions | 280 mm (11.02") (W) x 190 mm (7.48") (D) x 76 mm (2.99") (H) |
| Weight (net/gross) | 3.8 kg (8.37 lb)/4.6 kg (10.14 lb) |
| Certifications | UL62368-1 certified, CE, FCC Class A |
| EOS Support | WEBS, Win 10 IoT, Linux |
| Software Support | AMS.AXView |

* W.T.: Wide Temperature. All W.T. supported products have to be sorted by Axiomtek.

Packing List

| | |
|------------------------------|-------------------------|
| 1 x Screw pack | 1 x Remote switch cable |
| 4 x Pre-installed foot pad | 2 x HDD bracket |
| 1 x Terminal block connector | 1 x CPU thermal pad |



Power Protection

DC Version

OVP (over voltage protection)
UVP (under voltage protection)
OCP (over current protection)
SCP (short circuit protection)
Reverse protection

Ordering Information

Standard

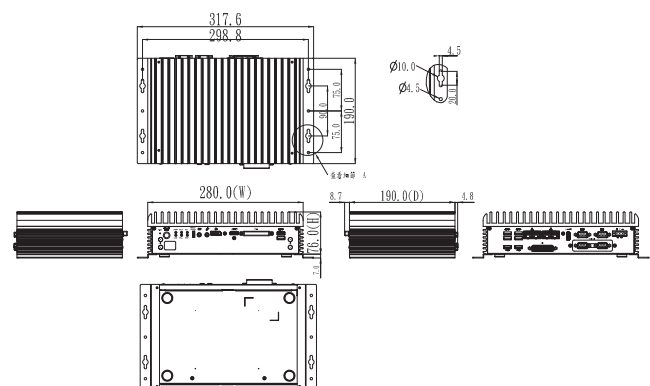
| | |
|--|--|
| eBOX670-891-FL-DC-Flexible IO (P/N: E36K670105) | Fanless embedded system with LGA1151 socket 7th/6th gen Intel® Core™ i7/i5/i3 or Celeron® processor, Intel® Q170, 2 HDMI, DisplayPort, 4 GbE LAN, 8 USB, CFast™, dual PCI Express Mini Card slots, and 9 to 36 VDC |
|--|--|

Optional

| | |
|---------------|--|
| 2.5" SATA HDD | 64GB or above |
| 2.5" SATA SSD | 100GB or above |
| DDR4 SO-DIMM | 2GB to 16GB |
| CFast™ | 64GB (W.T.) 3G/LTE module |
| 8816K6701A0E | Wall mount kit |
| 8816K6702A0E | DIN-rail kit |
| 50906D24000E | 24V 120W power adapter Power cord |
| E392903102 | AX92903 CANbus PCI Express Mini module |
| E392902103 | AX92902 LAN PCI Express Mini module |
| E392904102 | AX92904 DIO PCI Express Mini module |
| E392905103 | AX92905 Audio PCI Express Mini module |
| E392918103 | AX92918 Dual LAN PCI express Mini module |

* Specifications and certifications may vary based on different requirements.

Dimensions



eBOX671-517-FL

Fanless Embedded System with LGA1151 Socket 7th/6th Gen Intel® Core™ i7/i5/i3 or Celeron® Processor, Intel® Q170, HDMI, DVI-D, VGA, 8-CH PoE, 6 USB, and 24 VDC

Features

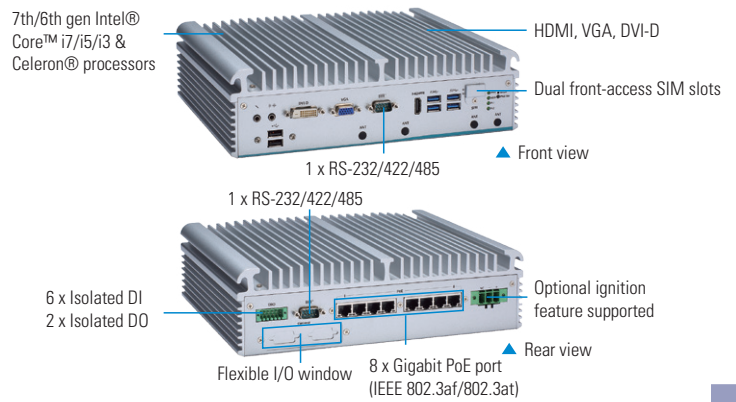
- 7th/6th gen Intel® Core™ i7/i5/i3 or Celeron® processors (35W/65W) with Intel® Q170 chipset
- 8-CH PoE onboard
- 2 front-access SIM slots
- Supports 6-in/2-out isolated DIO
- -40°C to +70°C extended operating temperature
- Optional ignition feature supported



Specifications

| | |
|-----------------------|--|
| Standard Color | Silver |
| Construction | Aluminum extrusion and heavy-duty steel, IP40 |
| CPU | LGA1151 socket 7th/6th gen Intel® Core™ i7/i5/i3 or Celeron® processors (35W/65W) |
| System Memory | 2 x 260-pin SO-DIMM DDR4-2133, up to 32GB |
| Chipset | Intel® Q170 |
| BIOS | AMI UEFI BIOS |
| System I/O Outlet | 2 x RS-232/422/485 1 x HDMI 1.4b, 1 x VGA, 1 x DVI-D 1 x Audio (Line-out & MIC-in) 8 x Gigabit PoE (IEEE 802.3af/802.3at) port (Intel® i211-AT, max. up to 90W) 4 x USB 3.0, 2 x USB 2.0 4 x SMA-type antenna connector 1 x Phoenix type VDC power input connector 1 x 6-in/2-out isolated DIO 1 x Power switch 1 x Reset switch 1 x Flexible I/O window (default: 2 x DB9 half cut bracket) |
| Watchdog Timer | 255 levels, 1 to 255 sec. |
| Storage | 2 x SATA HDD drive bay (max. up 15 mm height & RAID 0 & 1) 1 x mSATA (enabled in DIP switch setting) |
| Expansion Interface | 2 x Full-size PCI Express Mini Card slot (USB + PCI Express signal) 1 x Half-size PCI Express Mini Card slot (mSATA + USB + PCI Express signal) 1 x Half-size PCI Express Mini Card (USB signal) 2 x External accessible SIM slot |
| TPM | N/A |
| System Indicator | 1 x Green LED for system power-on 1 x Yellow LED for HDD active 2 x Programmable green LED |
| Power Input | 24 VDC (ACC is disabled by default) |
| Operating Temperature | 35W Tj=100°C CPU: -40°C to +70°C (-40°F to +158°F) with W.T. SSD 65W Tj=100°C CPU: -40°C to +55°C (-40°F to +131°F) with W.T. SSD 35W Tj=80°C CPU: -40°C to +50°C (-40°F to +122°F) with W.T. SSD |
| Humidity | 10% - 90%, non-condensing |
| Shock | IEC 60068-2-27 (with SSD: 50G, half sine, 11 ms duration) |
| Vibration Endurance | IEC 60068-2-64 (with SSD: 3Grms STD, random, 5 - 500 Hz, 1 hr/axis) |
| Dimensions | 280 mm (11.2") (W) x 210 mm (8.26") (D) x 79.6 mm (3.13") (H) |
| Weight (net/gross) | 4.31 kg (9.5 lb)/5.1 kg (11.24 lb) |
| Certifications | CE, FCC Class A |
| EOS Support | Win 10 IoT, Linux |
| Software Support | AMS.AXView |

* W.T.: Wide Temperature. All W.T. supported products have to be sorted by Axiomtek.



Packing List

- 1 x Terminal block connector
- 4 x Pre-installed foot pad

Power Protection

DC Version

- OVP (over voltage protection)
- UVP (under voltage protection)
- SCP (short current protection)

Ordering Information

Standard

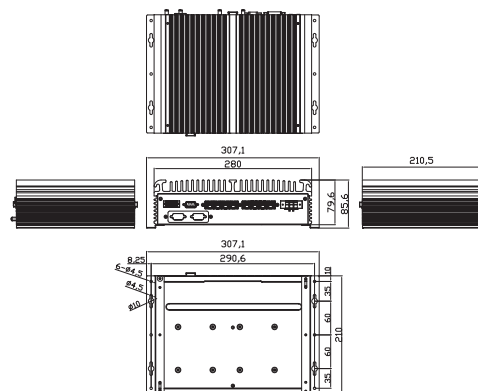
| | |
|-------------------------------------|---|
| eBOX671-517-FL-DC (P/N: E36K671103) | Fanless embedded system with LGA1151 socket 7th/6th gen Intel® Core™ i7/i5/i3 & Celeron® processors, Intel® Q170, VGA, DVI-D, HDMI, 8-CH PoE, 6 USB, and 24 VDC |
|-------------------------------------|---|

Optional

| | |
|---------------|--|
| 2.5" SATA HDD | 80GB or above |
| 2.5" SATA SSD | 100GB or above |
| DDR4 SO-DIMM | 4GB to 16GB |
| mSATA | 64GB or above |
| 8816K6718A0E | 3G/LTE module |
| 8816K671CA0E | Wall mount kit |
| 50906D24000E | DIN-rail kit |
| | 24V 120W power adapter |
| | Power cord |
| E392903102 | AX92903 CANbus PCI Express Mini module |
| E392902103 | AX92902 LAN PCI Express Mini module |
| E392906101 | AX92906 COM PCI Express Mini module |
| E392904102 | AX92904 DIO PCI Express Mini module |
| E392905103 | AX92905 Audio PCI Express Mini module |
| E392918103 | AX92918 Dual LAN PCI Express Mini module |

* Specifications and certifications may vary based on different requirements.

Dimensions

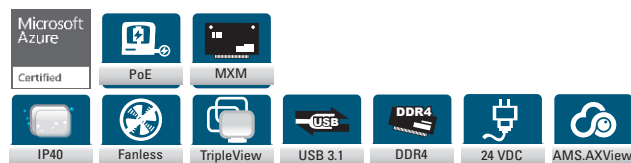


eBOX671-521-FL

Fanless Embedded System with LGA1151 9th/8th Gen Intel® Core™ i7/i5/i3 or Celeron® Processor, 4-CH PoE, and MXM 3.1 Type A

Features

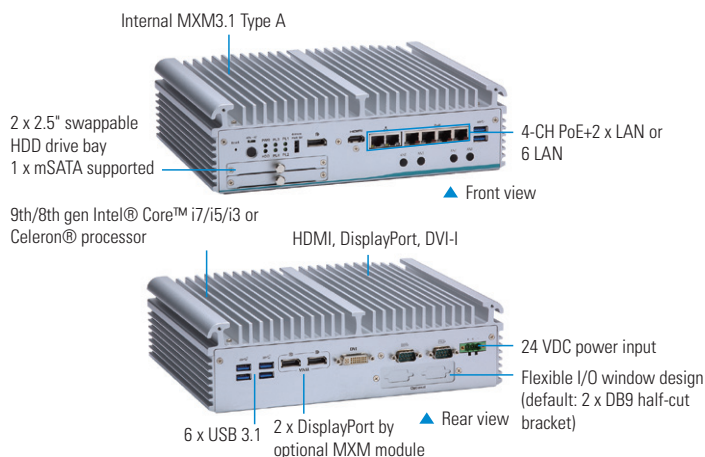
- 9th/8th gen Intel® Core™ i7/i5/i3 or Celeron® with Intel® Q370 chipset (Coffee Lake/Coffee Lake Refresh-S)
- 4-CH PoE (IEEE802.3at compliance)
- Dual swappable 2.5" SATA HDD drive bays with RAID 0 & 1
- Supports MXM 3.1 type A graphics module (optional)
- DVI-I, HDMI, and DisplayPort with triple-view supported
- AMS.AXView intelligent remote monitoring software for IIoT



Specifications

| | |
|-----------------------|--|
| Standard Color | Silver |
| Construction | Aluminum extrusion and heavy-duty steel, IP40 |
| CPU | LGA1151 9th gen Intel® Core™ i7/i5/i3 or Celeron® processors (35W) LGA1151 8th gen Intel® Core™ i7/i5/i3 or Celeron® processors (35W/65W) |
| System Memory | 2 x 260-pin DDR4-2666 SO-DIMM, up to 64GB (ECC supported by Intel® C246 PCH) |
| Chipset | Intel® Q370/optional Intel® C246 PCH |
| BIOS | AMI |
| System I/O Outlet | 2 x RS-232/422/485 2 x DisplayPort via optional MXM kit 1 x HDMI, 1 x DisplayPort, 1 x DVI-I 4 x Power over Ethernet (IEEE802.2at), up to 60W 2 x 10/100/1000 Mbps Ethernet (Intel® i210-IT & i219-LM) 4 x USB 3.1 Gen2, 2 x USB 3.1 Gen1 1 x Phoenix type VDC power input connector 1 x AT/ATX quick switch 1 x ATX power switch 1 x Reset switch 1 x Remote switch 1 x Flexible I/O window (Default : 2 x DB9 half-cut bracket) 4 x SMA-type antenna connector |
| Watchdog Timer | 255 levels, 1 to 255 sec. |
| Storage | 2 x 2.5" HDD drive bay (max. up 9.5 mm height) 1 x mSATA (enabled in BIOS setting) |
| Expansion Interface | 2 x Full-size PCI Express Mini Card slot (USB + PCIe signal) 2 x SIM slot 1 x MXM3.1 type A connector |
| TPM | TPM 2.0 |
| System Indicator | 1 x Green LED for system power-on 1 x Green LED for HDD active 4 x Green LED for programmable |
| Power Input | 24 VDC |
| Operating Temperature | Without MXM module: -40°C to 60°C (-40°F to +140°F) (with W.T. DRAM & SSD, CPU TDP 35W) -40°C to 50°C (-40°F to +122°F) (with W.T. DRAM & SSD, CPU TDP 65W) With MXM module: -40°C to 50°C (-40°F to +122°F) (with W.T. DRAM & SSD & MXM kit, CPU TDP 35W) |
| Humidity | 10% - 90%, non-condensing |
| Shock Vibration | IEC 60068-2-27 (w/ SSD: 50G, half-sine, 11 ms duration) |
| Vibration Endurance | IEC 60068-2-64 (w/ SSD: 3Grms STD, random, 5 - 500 Hz, 1 hr/axis) |
| Dimensions | 280 mm (11.02") (W) x 210 mm (8.26") (D) x 80.5 mm (3.16") (H) |
| Weight (net/gross) | 4.8 kg (10.58 lb)/5.6 kg (12.34 lb) |
| Certifications | CE, FCC Class A |
| EOS Support | Win 10 IoT, Linux |
| Software Support | AMS.AXView |

* W.T.: Wide Temperature. All W.T. supported products have to be sorted by Axiomtek.



Packing List

- 1 x Screw pack
- 4 x Pre-installed foot pad
- 1 x 3-pin terminal block connector
- 1 x Remote switch cable

Power Protection

DC Version

- OVP (over voltage protection)
- UVP (under voltage protection)
- OCV (over current protection)
- SCP (short circuit protection)
- Reserve protection

Ordering Information

Standard

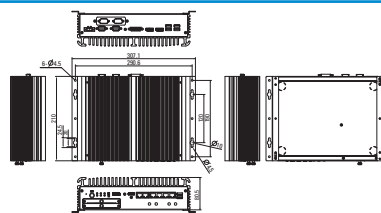
| | |
|--|--|
| eBOX671-521-FL-DC-4PoE (P/N: E36K671105) | Fanless embedded system with LGA1151 9th/8th gen Intel® Core™ i7/i5/i3 or Celeron® processor, Intel® Q370, DVI-I, HDMI, dual HDD, 4 PoE, 2 GbE LAN, 6 USB, 2 COM, and 24 VDC |
| eBOX671-521-FL-DC-6GbE (P/N: E36K671106) | Fanless embedded system with LGA1151 9th/8th gen Intel® Core™ i7/i5/i3 or Celeron® processor, Intel® Q370, DVI-I, HDMI, dual HDD, 6 GbE LAN, 6 USB, 2 COM, and 24 VDC |

Optional

| | |
|---------------|--|
| 2.5" SATA HDD | 80GB or above |
| 2.5" SATA SSD | 100GB or above |
| DDR4 SO-DIMM | 4GB to 32GB |
| mSATA | 64GB or above |
| 8816K6718A0E | Wall mount kit |
| 8816K671CA0E | DIN-rail kit |
| | 3G/LTE module |
| 8816K671BA0E | MXM1050 kit |
| 8816K671AA0E | MXM1030 kit |
| 50906D24000E | 24V 120W power adapter |
| | Power cord |
| E392903102 | AX92903 CANbus PCI Express Mini module |
| E392902103 | AX92902 LAN PCI Express Mini module |
| 59406392140E | RS-232 cable, L=200 mm for COM3/4 |
| E392904102 | AX92904 DIO PCI Express Mini module |
| E392905103 | AX92905 Audio PCI Express Mini module |
| E392918103 | AX92918 Dual LAN PCI Express Mini module |

* Specifications and certifications may vary based on different requirements.

Dimensions



eBOX671A NEW

Fanless Embedded System with LGA1200 Socket 10th Gen Intel® Core™ i9/i7/i5/i3 or Celeron® Processor, Intel® W480E, HDMI, DisplayPort, 6 USB, 4 LAN, and 9 to 48 VDC

Features

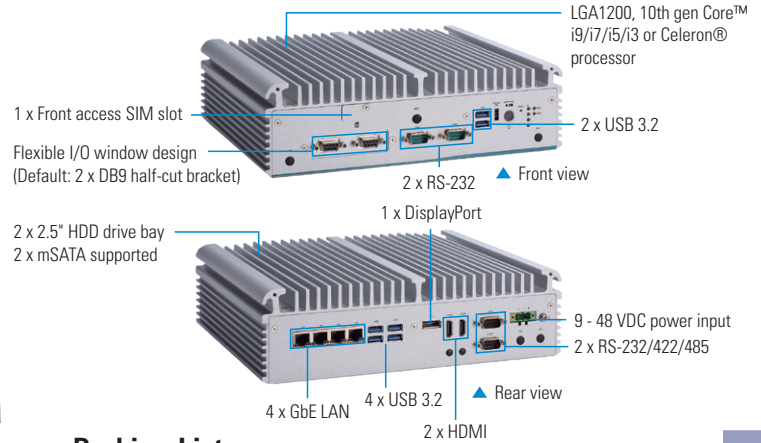
- LGA1200 10th gen Intel® Core™ i9/i7/i5/i3 or Celeron® with Intel® W480E chipset (Comet Lake-S)
- Dual 2.5" SATA HDD drive bays with RAID 0 & 1
- 2 HDMI and DisplayPort for triple view
- TPM 2.0 onboard
- AXView intelligent remote monitoring software for IloT



Specifications

| | |
|-----------------------|---|
| Standard Color | Silver |
| Construction | Aluminum extrusion and heavy-duty steel, IP40 |
| CPU | LGA1200 socket 10th gen Intel® Core™ i9/i7/i5/i3 or Celeron® processor (35W/65W) |
| System Memory | 2 x 260 pin DDR4 SO-DIMM, up to 64GB |
| Chipset | Intel® W480E |
| BIOS | AMI |
| System I/O Outlet | <p>Rear side:</p> <ul style="list-style-type: none"> 1 x DC-in Phoenix type 2 x HDMI 1.4b (lockable) 1 x DisplayPort 1.2 ++ 3 x USB 3.2 Gen2 1 x USB 3.2 Gen1 4 x 10/100/1000 Mbps Ethernet (3 x Intel® I210-IT, 1 x Intel® I219-LM) 2 x RS-232/422/485 2 x Antenna opening <p>Front side:</p> <ul style="list-style-type: none"> 1 x Power button 1 x AT/ATX quick switch 2 x USB 3.2 Gen2 1 x Remote switch 1 x Front access SIM slot with cover 1 x Reset button 2 x RS-232 3 x Antenna opening 1 x Flexible I/O window |
| Watchdog Timer | 255 levels, 1 to 255 sec. |
| Storage | 2 x 2.5" SATA HDD/SSD (up to 9.5 mm height) 2 x mSATA (enabled in jumper setting) |
| Expansion Interface | 2 x Full-size PCI-Express mini card slot (USB + PCIe + SATA signal) 2 x SIM slot 1 x M.2 Key B 3050 (for 5G) |
| TPM | TPM 2.0 |
| System Indicator | 1 x Green LED for system power 1 x Orange LED for HDD active 4 x Programmable Green LED |
| Power Input | 9-48 VDC |
| Operating Temperature | -40°C to 70°C (40°F to 158°F W.T. DRAM & SSD, CPU TDP 35W) -40°C to 60°C (40°F to 140°F W.T. DRAM & SSD, CPU TDP 65W) |
| Humidity | 10% - 90%, non-condensing |
| Shock Vibration | IEC 60068-2-27 (w/ SSD: 50G, half-sine, 11 ms duration) |
| Vibration Endurance | IEC 60068-2-64 (w/ SSD: 3Grms STD, random, 5 - 500 Hz, 1 hr/axis) |
| Dimensions | 280 mm (11.02") (W) x 210 mm (8.26") (D) x 80.5 mm (3.17") (H) |
| Weight (net/gross) | 4.9 kg (10.8 lb)/7 kg (15.43 lb) |
| Certifications | CE, FCC Class A |
| EOS Support | Win 10 IoT, Linux |
| Software Support | AXView |

* W.T.: Wide Temperature. All W.T. supported products have to be sorted by Axiomtek.



Packing List

- 1 x Thermal grease
- 1 x 3-pin terminal block connector
- 1 x Remote switch cable
- 4 x Foot pad
- 2 x M.2 bracket + thermal pad + screws
- 2 x HDD bracket + thermal pad + screws

Power Protection

DC Version

- OVP (over voltage protection)
- UVP (under voltage protection)
- OCV (over current protection)
- SCP (short circuit protection)
- Reserve protection

Ordering Information

Standard

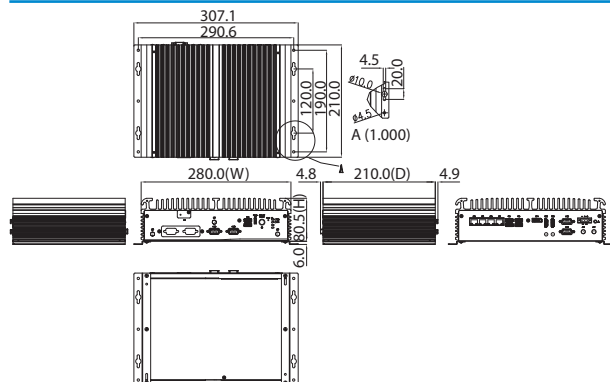
| | |
|------------------|---|
| eBOX671A-CML-GbE | Fanless embedded system with LGA1200 socket 10th gen Intel® Core™ i9/i7/i5/i3 or Celeron® processor, Intel® W480E, HDMI, DisplayPort, 6 USB, 4 LAN, and 9 to 48 VDC |
|------------------|---|

Optional

| | |
|---------------|--|
| 2.5" SATA HDD | 80GB or above |
| 2.5" SATA SSD | 100GB or above |
| DDR4 SO-DIMM | 4GB to 32GB |
| mSATA | 64GB or above |
| 8816K6718A0E | Wall mount kit |
| | DIN-rail kit |
| | 3G/LTE/5G module |
| 50906D24000E | 24V 120W power adapter |
| | Power cord |
| E392903102 | AX92903 CANbus PCI Express Mini module |
| E392902103 | AX92902 LAN PCI Express Mini module |
| E392918103 | AX92918 Dual LAN PCI Express Mini module |
| 590000002700 | DIO cable, L=20 cm |

* Specifications and certifications may vary based on different requirements.

Dimensions



eBOX710-521-FL

Fanless Embedded System with LGA1151 Intel® Xeon®, 9th/8th Gen Intel® Core™ i7/i5/i3 or Celeron® Processor, Intel® C246, ECC/Non-ECC and 1 PCIe x4 Slot

Features

- Intel® Xeon®, 9th/8th gen Intel® Core™ i7/i5/i3 or Celeron® processor
- 2 DDR4 ECC/non-ECC memory supported, up to 64GB
- Dual swappable 2.5" SATA HDD drive bays with RAID 0 & 1
- DVI-I, HDMI, and DisplayPort with triple-view supported
- 6 GbE LAN, 6 USB 3.2 and 1 PCIe x4 slot
- Flexible I/O window supported



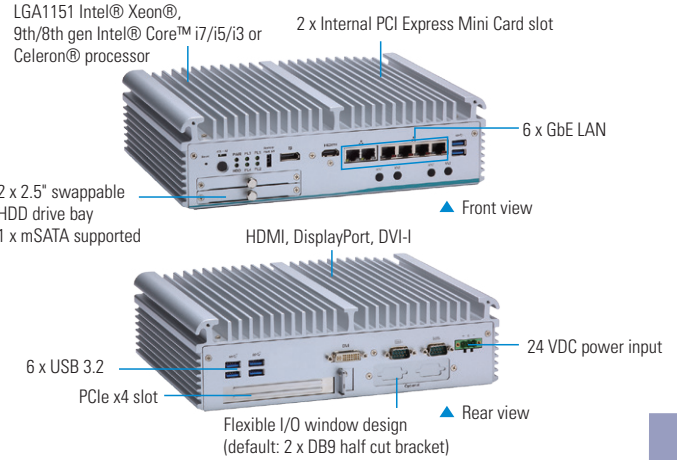
Specifications

| | |
|-----------------------|--|
| Standard Color | Silver |
| Construction | Aluminum extrusion and heavy-duty steel, IP40 |
| CPU | LGA1151 Intel® Xeon®, 9th/8th gen Intel® Core™ i7/i5/i3 or Celeron® processor (CPU TDP max. up to 35 W) |
| System Memory | 2 x 260-pin DDR4-2666 ECC/non-ECC SO-DIMM, up to 64GB* |
| Chipset | Intel® C246 |
| BIOS | AMI |
| System I/O Outlet | 2 x RS-232/422/485 1 x HDMI, 1 x DisplayPort, 1 x DVI-I 6 x 10/100/1000 Mbps Ethernet (5 x Intel® i210-IT & i219-LM) 4 x USB 3.1 Gen2, 2 x USB 3.1 Gen1 1 x Phoenix type VDC power input connector 1 x AT/ATX quick switch 1 x ATX power switch 1 x Reset switch 1 x Remote switch 1 x Flexible I/O window (Default : 2 x DB9 half-cut bracket) 4 x SMA-type antenna connector |
| Watchdog Timer | 255 levels, 1 to 255 sec. |
| Storage | 2 x 2.5" HDD drive bay (max. up 9.5 mm height) 1 x mSATA (enabled in BIOS setting) |
| Expansion Interface | 2 x Full-size PCI Express Mini Card slot (USB + PCIe signal) 2 x SIM slot 1 x PCIe x4 slot |
| TPM | TPM 2.0 |
| System Indicator | 1 x Green LED for system power-on 1 x Green LED for HDD active 4 x Green LED for programmable |
| Power Input | 24 VDC |
| Operating Temperature | -40°C to 70°C (-40°F to 158°F) (with W.T. DRAM & SSD) |
| Humidity | 10% - 90%, non-condensing |
| Shock Vibration | IEC 60068-2-27 (w/ SSD: 50G@wall mount, half-sine, 11 ms duration) |
| Vibration Endurance | IEC 60068-2-64 (w/ SSD: 3Grms STD, random, 5 - 500 Hz, 1 hr/axis) |
| Dimensions | 280 mm (11.02") (W) x 210 mm (8.26") (D) x 80.5 mm (3.16") (H) |
| Weight (net/gross) | 4.8 kg (10.58 lb)/5.6 kg (12.34 lb) |
| Certifications | CE, FCC Class A |
| EOS Support | Win 10 IoT, Linux |
| Software Support | AMS.AXView |

* W.T.: Wide Temperature. All W.T. supported products have to be sorted by Axiomtek.
* ECC memory can be supported by Intel® Xeon® and i3 processor only.

Packing List

- 1 x Screw pack
- 4 x Pre-installed foot pad
- 1 x 3-pin terminal block connector
- 1 x Remote switch cable



Power Protection

DC Version

- OVP (over voltage protection)
- UVP (under voltage protection)
- OC (over current protection)
- SCP (short circuit protection)
- Reserve protection

Ordering Information

Standard

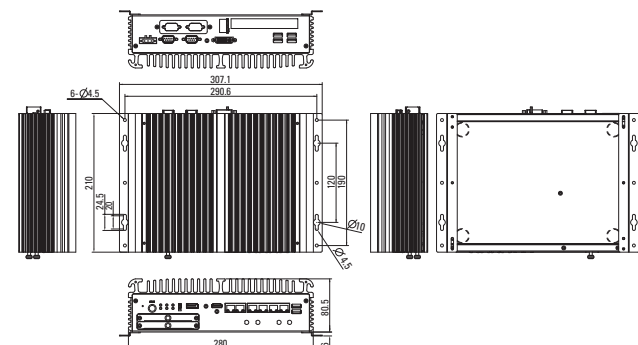
eBOX710-521-FL-PCIE-DC (P/N: E36K710100) Fanless embedded system with LGA1151 Intel® Xeon®, 9th/8th gen Intel® Core™ i7/i5/i3 or Celeron® processor, Intel® C246, ECC/non-ECC memory, 1 PCIe x4 slot, and 24 VDC

Optional

| | |
|---------------|---|
| 2.5" SATA HDD | 80GB or above |
| 2.5" SATA SSD | 100GB or above |
| DDR4 SO-DIMM | 4GB to 32GB |
| mSATA | 64GB or above |
| 8816K6718A0E | Wall mount kit |
| 8816K671CA0E | DIN-rail kit |
| | 3G/LTE module |
| 50906D24000E | 24V 120W adapter |
| | Power cord |
| E392903102 | AX92903 CANBus PCI Express Mini module |
| E392902103 | AX92902 LAN PCI Express Mini module |
| 59406392140E | RS-232 cable, L=200 mm for COM3/4 |
| E392904102 | AX92904 DIO PCI Express Mini module |
| E392905103 | 3.5 mm audio I/O & half PCI Express Mini module |
| E392905103 | AX92905 Audio PCI Express Mini module |
| E392918103 | AX92918 Dual LAN PCI Express Mini module |

* Specifications and certifications may vary based on different requirements.

Dimensions



eBOX800-511-FL

Rugged IP67-rated Fanless Embedded System with Intel® Core™ i5-7300U or Celeron® 3965U, VGA, GbE LAN, 2 USB, 2 COM, and 9 to 36 VDC

Features

- IP67-rating for outdoor use
- Intel® Core™ i5-7300U or Celeron® 3965U onboard
- 4 N-jack antenna openings with water-proof design
- 9 to 36 VDC wide range power input
- -30°C to +60°C operating temperature range
- Features M12 lockable I/Os
- Trusted Platform Module 1.2 (TPM 1.2)



Specifications

| | |
|-----------------------|---|
| Standard Color | Black |
| Construction | Aluminum die-casting and heavy-duty steel, IP67 |
| CPU | Intel® Core™ i5-7300U or Celeron® 3965U onboard |
| System Memory | 1 x 260-pin DDR4-2133 SO-DIMM, up to 16GB |
| Chipset | SoC integrated |
| BIOS | AMI |
| System I/O Outlet | 2 x RS-232/422/485 (M12) 1 x 10/100/1000 Mbps Ethernet (Intel® i219-LM, M12) 2 x USB 2.0 (M12) 1 x VGA (M12) 1 x 9 to 36VDC power input (M12) 1 x ATX power switch w/indicator 4 x N-jack antenna opening with water proof design |
| Watchdog Timer | 255 levels, 1 to 255 sec. |
| Storage | 1 x 2.5" HDD drive bay (max. up 9.5 mm height) 1 x mSATA (enabled in BIOS setting) |
| Expansion Interface | 1 x Full-size PCI Express Mini Card slot (USB + PCIe signal) 1 x Half-size PCI Express Mini Card slot (USB + PCIe signal) |
| TPM | TPM 1.2 |
| System Indicator | 1 x Green LED for system power-on |
| Power Input | 9 to 36 VDC |
| Operating Temperature | -30°C to +60°C (-22°F to +140°F) (with i5-7300U, W.T. SSD/DRAM) |
| Humidity | 10% - 95% , non-condensing |
| Vibration Endurance | 3 Grms with SSD (5 to 500Hz, X, Y, Z directions) |
| Dimensions | 210 mm (8.27") x 366.83 mm (14.44") x 83.8 mm (3.27") |
| Weight (net/gross) | 4.31 kg (9.5 lb)/5.1 kg (11.24 lb) |
| Certifications | CE, FCC Class A |
| EOS Support | Win 10 IoT & Linux |
| Software Support | AMS.AXView |

* W.T.: Wide Temperature. All W.T. supported products have to be sorted by Axiomtek.

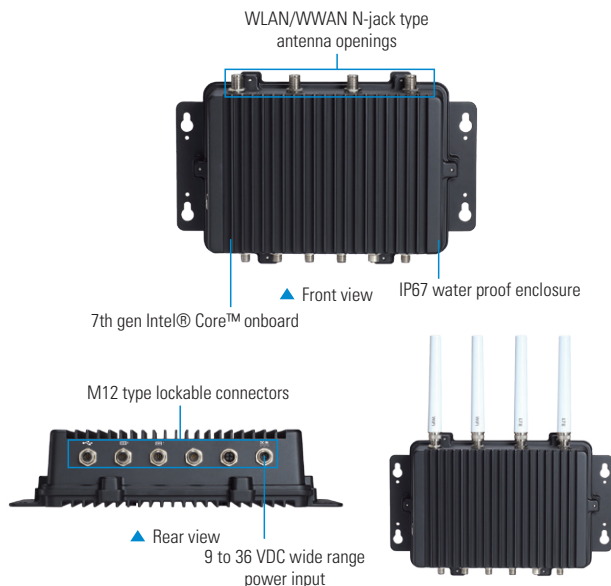
Packing List

- 1 x Water-proof PWR cable (180 cm)
- 1 x Water-proof VGA cable (180 cm)
- 1 x Water-proof USB 2.0 cable (180 cm)

Power Protection

DC Version

- OVP (over voltage protection)
- OCV (over current protection)
- SCP (short circuit protection)



Ordering Information

Standard

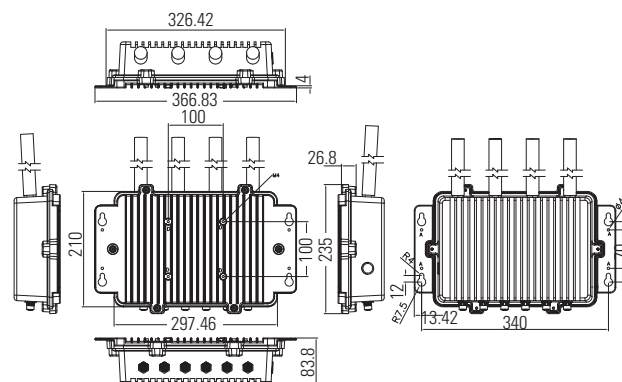
| | |
|--|---|
| eBOX800-511-FL-DC-7300U (P/N: E36K800102) | Rugged IP67-rated Fanless Embedded System with Intel® Core™ i5-7300U, VGA, GbE LAN, 2 USB, 2 COM, and 9 to 36 VDC |
| eBOX800-511-FL-DC-3965U (P/N: E36K800103) | Rugged IP67-rated Fanless Embedded System with Intel® Celeron® 3965U, VGA, GbE LAN, 2 USB, 2 COM, and 9 to 36 VDC |

Optional

| | |
|----------------------|-----------------------------|
| 2.5" SATA HDD (W.T.) | 80GB or above |
| 2.5" SATA SSD (W.T.) | 100GB or above |
| DDR4 SO-DIMM (W.T.) | 2GB to 16GB |
| | 3G/LTE module |
| 594B8122100E | RS-232 serial cable, 180 cm |
| 594B8152710E | LAN cable, 180 cm |
| 50966224010E | 24V 90W M12 power adapter |

* Specifications and certifications may vary based on different requirements.

Dimensions



eBOX800-841-FL

Rugged IP67-rated Fanless Embedded System with Intel Atom® Processor E3845, VGA, 2 GbE LAN, 2 USB, 2 COM, and 9 to 36 VDC

Features

- IP67-rating for outdoor use
- Intel Atom® processor E3845 onboard
- 4 N-jack antenna openings with water-proof design
- -30°C to +60°C operating temperature range
- 9 to 36 VDC wide range power input
- Features M12 lockable I/Os
- Trusted Platform Module 1.2 (TPM 1.2)



Specifications

| | |
|-----------------------|---|
| Standard Color | Black |
| Construction | Aluminum die-casting and heavy-duty steel, IP67 |
| CPU | Intel Atom® processor E3845 1.91 GHz |
| System Memory | 1 x 204-pin DDR3L-1066/1333 SO-DIMM, up to 8GB |
| Chipset | SoC integrated |
| BIOS | AMI |
| System I/O Outlet | 2 x RS-232/422/485 (M12) 1 x VGA (M12) 2 x 10/100/1000 Mbps Ethernet (Intel® i210-IT, M12) 2 x USB 2.0 (M12) 1 x 9 to 36 VDC power input (M12) 1 x ATX power switch with indicator 4 x N-jack antenna opening with water proof design |
| Watchdog Timer | 255 levels, 1 to 255 sec. |
| Storage | 1 x 2.5" HDD drive bay (max. up 9.5 mm height) 1 x mSATA (enabled in BIOS setting) 1 x CFast™ |
| Expansion Interface | 1 x Full-size PCI Express Mini Card slot (USB + PCI Express signal) 1 x Half-size PCI Express Mini Card slot (USB + PCI Express signal) 1 x SIM slot |
| TPM | TPM 1.2 |
| System Indicator | 1 x Green LED for system power-on |
| Power Input | 9 to 36 VDC |
| Operating Temperature | -30°C to +60°C (-22°F to +140°F) (with E3845, W.T. SSD/DRAM) |
| Humidity | 10% - 95%, non-condensing |
| Vibration Endurance | 3 Grms with SSD (5 to 500Hz, X, Y, Z directions) |
| Dimensions | 210 mm (8.27") x 366.83 mm (14.44") x 83.8 mm (3.27") |
| Weight (net/gross) | 4.31 kg (9.5 lb)/5.1 kg (11.24 lb) |
| Certifications | CE, FCC Class A |
| EOS Support | Win 10 IoT, WE8S, WES7, Linux |

* W.T.: Wide Temperature. All W.T. supported products have to be sorted by Axiomtek.

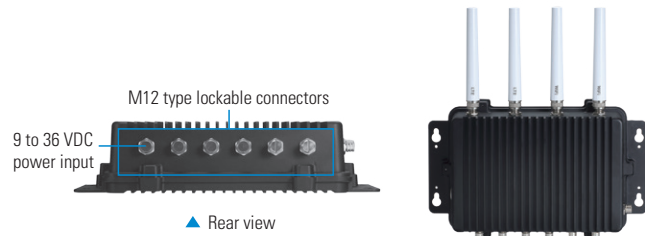
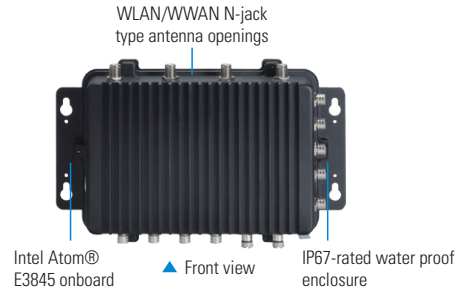
Packing List

- 1 x Water-proof PWR cable (180 cm)
- 1 x Water-proof VGA cable (180 cm)
- 1 x Water-proof USB 2.0 cable (180 cm)

Power Protection

DC Version

- OVP (over voltage protection)
- OCV (over current protection)
- SCP (short circuit protection)



Ordering Information

Standard

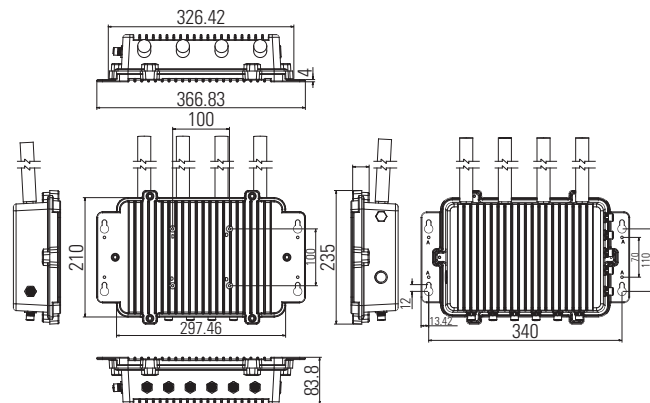
| | |
|-------------------------------------|--|
| eBOX800-841-FL-DC (P/N: E36K800100) | Rugged IP67-rated fanless embedded system with Intel Atom® E3845 1.91 GHz, VGA, 2 GbE LAN, 2 USB, 2 COM, and 9 to 36 VDC |
|-------------------------------------|--|

Optional

| | |
|----------------------|-----------------------------|
| 2.5" SATA HDD (W.T.) | 80GB or above |
| 2.5" SATA SSD (W.T.) | 100GB or above |
| DDR3L SO-DIMM (W.T.) | 2GB to 8GB |
| CFast™ | 64GB or above |
| mSATA | 64GB or above |
| | 3G/LTE module |
| 594B8122100E | RS-232 serial cable, 180 cm |
| 594B8152710E | LAN cable, 180 cm |
| 50966224010E | 24V 90W M12 power adapter |

* Specifications and certifications may vary based on different requirements.

Dimensions



Embedded Systems

1
2
3
4
5
6

eBOX800-900-FL

Rugged IP67-rated Fanless Edge AI System with NVIDIA® Jetson™ TX2, HDMI, GbE LAN, 1-CH PoE, USB 2.0, and 100 to 240 VAC

Features

- IP67-rating for outdoor use
- NVIDIA® Jetson™ TX2 with Pascal™, 256 CUDA cores GPU
- High AI computing performance for GPU-accelerated processing
- -30°C to +60°C operating temperature range
- 100 to 240 VAC wide range power input with 10kV surge protection
- 4 N-jack antenna openings with water-proof design
- Features M12 lockable I/Os
- 1 IEEE 802.3at Gigabit LAN port (30W)

NVIDIA TX2 will be available until 2025*
The official end of life notice will be sent at least 8 months before the last shipment.



Specifications

| | |
|-----------------------|--|
| Standard Color | Black |
| Construction | Aluminum die-casting and heavy-duty steel, IP67 |
| CPU Board | NVIDIA® Jetson™ TX2 |
| CPU | HMP dual Denver 2/2 MB L2 + quad ARM® A57/2 MB L2 |
| GPU | NVIDIA® Pascal™, 256 CUDA cores |
| System Memory | 8GB 128-bit LPDDR4 @ 1866 MHz onboard |
| Carried Board | SBC87900 |
| System I/O Outlet | 1 x C3 USB 2.0 1 x M12 X-Code GbE LAN 1 x M12 X-Code Gigabit PoE (IEEE 802.3at) port (30W) 1 x C3 HDMI with FHD supported 1 x M12 S-Code 3-pin AC in power input 4 x N-jack antenna opening with water proof design |
| Watchdog Timer | Watchdog timer embedded in NVIDIA® Jetson™ TX2 |
| Storage | Onboard 32GB eMMC (via Jetson™ TX2) 1 x M.2 Key M 2280 with PCIe 2.0 x4 NVMe SSD slot *The bootable device is supported by eMMC only |
| Wireless Module | 802.11ac WLAN, Bluetooth onboard with N-jack type antennas |
| Expansion Interface | 1 x Full-size PCI Express Mini Card slot (USB + PCI Express signal) 1 x SIM slot |
| TPM | N/A |
| Power Input | 100 to 240 VAC with 10kV SPD |
| Operating Temperature | -30°C to +60°C (-22°F to +140°F) |
| Humidity | 10% - 95%, non-condensing |
| Vibration Endurance | 3 Grms with SSD (5 to 500Hz, X, Y, Z directions) |
| Dimensions | 210 mm (8.27") x 366.83 mm (14.44") x 83.8 mm (3.27") |
| Weight (net/gross) | 4.31 kg (9.5 lb)/5.1 kg (11.24 lb) |
| Certifications | CE, FCC Class A |
| OS Support | Linux Ubuntu 18.04 |

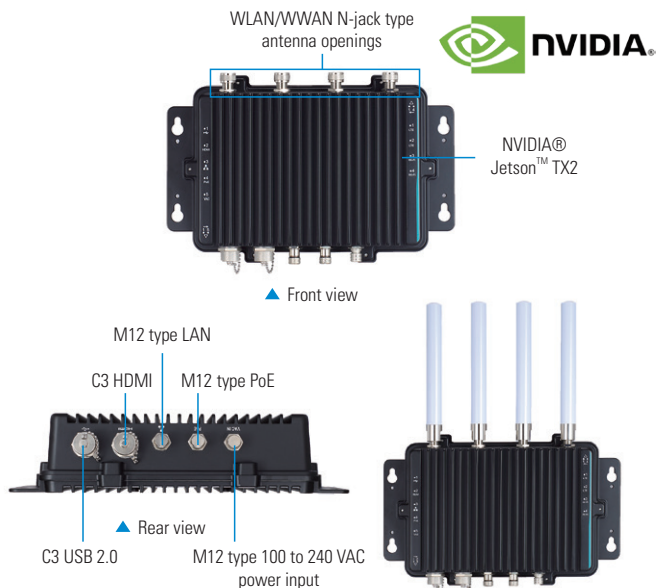
Packing List

- 1 x Screws pack
- 2 x Wi-Fi antenna

Power Protection

DC Version

- OVP (over voltage protection)
- OCV (over current protection)
- SCP (short circuit protection)
- SPD (surge protection device)



Ordering Information

Standard

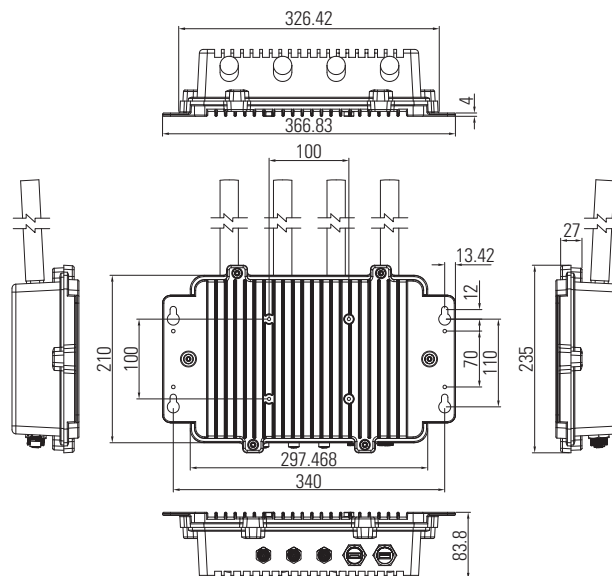
| | |
|-------------------------------------|--|
| eBOX800-900-FL (P/N: E36K800104) | Rugged IP67-rated fanless edge AI system with NVIDIA® Jetson™ TX2, HDMI, GbE LAN, Gigabit PoE, USB 2.0, and 100 to 240 VAC power input |
|-------------------------------------|--|

Optional

| | |
|--------------|----------------------------------|
| M.2 NVMe SSD | 128GB or above |
| 594B8152710E | LAN/PoE cable, 180 cm |
| 594K2303810E | HDMI cable, 100 cm |
| 594K2302810E | USB cable, 200 cm |
| 594K2300A10E | AC power cord, wire only, 180 cm |
| | LTE module |

* Specifications and certifications may vary based on different requirements.

Dimensions




2

DIN-rail Embedded Systems

Axiomtek's rBOX series, ICO series, IFB series and IRU series provide solutions as industrial IoT gateways, specifically designed for intelligent computing and communication applications like power plant automation, intelligent transportation systems, unmanned control room and more. When it comes to Industrial IoT or Industry 4.0 solution, one of the important factors is the gateway solution. The Industrial IoT gateway collects data from sensor and sends the data to cloud. Axiomtek provides a variety of gateway products which have passed heavy industrial EMI/EMS (Electro-Magnetic Susceptibility/Electro-Magnetic Interference) tests, and are also in compliance with multiple safety standards including ATEX and CID2 certifications (anti-explosion).

| | | |
|--------------------------------------|---|----|
| Selection Guide | | 47 |
| x86-based DIN-rail Embedded Systems | | |
| IC0100-839 | Robust DIN-rail Fanless Embedded System with Intel® Celeron® N3350, 2 COM, LAN, 2 USB, and DIO | 53 |
| IC0120-83D | Robust DIN-rail Fanless Embedded System with Intel® Celeron® N3350, COM or CAN, 2 LAN, 2 USB, and DIO | 55 |
| IC0300 | Robust DIN-rail Fanless Embedded System with Intel Atom® E3815/E3827, 4 COM, 2 LAN, DIO, and RTC | 57 |
| IC0300-83B | Robust DIN-rail Fanless Embedded System with Intel® Celeron® N3350 or Pentium® N4200, Isolated COM, LAN, and DIO | 59 |
| IC0300-83M | ATEX/CID2 Certified DIN-rail Fanless Embedded System with Intel Atom® x5-E3930, Isolated COM, LAN, and DIO | 61 |
| IC0310 | Robust DIN-rail Fanless Embedded System with Intel® Celeron® N3060/N3160, 2 COM, 4 USB, 2 GbE LAN (1 PoE PD), DIO, and RTC | 63 |
| IC0320-83C | Robust DIN-rail Fanless Embedded System with Intel® Celeron® N3350, COM, CAN, PoE LAN, and DIO | 65 |
| IC0500-518 | Robust DIN-rail Fanless Embedded System with 7th Gen Intel® Core™ i7/i5/i3 or Celeron®, and Dual Modular I/O Expansion Design | 67 |
| rBOX510-6COM | Robust DIN-rail Fanless Embedded System with Intel Atom® E3827, Isolated COM, LAN, and DIO with ATEX/CID2 Certification | 69 |
| RISC-based DIN-rail Embedded Systems | | |
| Agent200-FL-DC | Robust RISC-based DIN-rail Fanless Embedded System with i.MX 6UL, COM, LAN, DIO (4-in/4-out), and CANBus | 71 |
| IRU151 | Robust RISC-based DIN-rail Fanless Embedded System with i.MX 6UL, COM, LAN, DIO (2-in/2-out), 4 AI Channels (16-bit, 100 S/s), and 2 PCIe Mini Card Slots | 73 |
| IRU151-I | Robust RISC-based DIN-rail Fanless Embedded System with i.MX 6UL, DIO (2-in/2-out), 4 AI Channels (16-bit, 100 S/s, ±20mA), and 2 PCIe Mini Card Slots | 75 |

| | | |
|--|--|----|
| IFB122 | Robust RISC-based DIN-rail Fanless Embedded System with i.MX 6UL, 2 COM, 2 LAN, and DIO (2-in/1-out) | 77 |
| rBOX630 | Robust RISC-based DIN-rail Fanless Embedded System with i.MX 6, 4 COM, 2 CAN Bus, and DIO | 79 |
| DIN-Rail Cybersecurity Gateway | | |
| iNA100 | DIN-Rail Cybersecurity Gateway with Intel Atom® x5-E3930 and 4 LAN | 81 |
|  iNA200 | DIN-rail Cybersecurity Gateway with Intel Atom® x6212RE/x6414RE and up to 6 LAN | 82 |

Systems and Platforms

x86-based DIN-rail Embedded Systems

Selection Guide



| Features/Models | ICO100-839 | ICO120-83D | ICO300 |
|-------------------------------|--|--|---|
| CPU Level | Intel® Celeron® N3350 1.1 GHz | Intel® Celeron® N3350 1.1 GHz | Intel Atom® E3815 1.46 GHz Intel Atom® E3827 1.75 GHz |
| System Memory | 1 x DDR3L-1866 SODIMM, up to 8GB | 1 x DDR3L-1866 SO-DIMM, up to 8GB | 1 x DDR3L 1333/1600 SO-DIMM, up to 4GB (E3815) or up to 8GB (E3827) |
| Chipset | SoC integrated | SoC integrated | SoC integrated |
| TPM | TPM 2.0 | TPM 2.0 | TPM 1.2 (optional) |
| Serial | 2 x DB9 RS-232/422/485 | 1 x DB9 RS-232/422/485 (ICO120-COM) | 4 x RS-232/422/485 |
| CANbus | N/A | 1 x CANBus 2.0 A/B (ICO120-CAN) | N/A |
| Display | 1 x VGA | 1 x VGA | 1 x VGA |
| Ethernet | 1 x 10/100/1000 Mbps Ethernet (Intel® i211-AT) | 1 x 10/100/1000 Mbps Ethernet (Intel® i211-AT) | 2 x 10/100/1000 Mbps Ethernet (Intel® i211-AT) |
| PoE | N/A | N/A | N/A |
| Expansion Interface | 2 x Full-size PCI Express Mini Card slot | 1 x Half-size PCI Express Mini Card slot 1 x Full-size PCI Express Mini Card slot | 1 x Full-size PCI Express Mini Card slot |
| DIO | 1 x 8-bit programmable DIO | 1 x 8-bit programmable DIO | 1 x 8-bit programmable DIO |
| USB | 2 x USB 2.0 | 2 x USB 2.0 | 2 x USB 2.0 |
| Storage | 1 x half-size mSATA 1 x eMMC flash onboard (optional) | 1 x mSATA 1 x eMMC flash onboard (optional) | 1 x CompactFlash™ (or mSATA) 1 x 2.5" SATA SSD/HDD |
| Watchdog Timer | 255 levels, 1 to 255 sec. | 255 levels, 1 to 255 sec. | 255 levels, 1 to 255 sec. |
| Power Input | 12 to 24 VDC (terminal block) | 12 to 24 VDC (terminal block) | 12 to 24 VDC (terminal block) |
| Operating Temperature | -20°C to +70°C (-4°F to +158°F) -40°C to +70°C (-40°F to +158°F) (optional) | -20°C to +70°C (-4°F to +158°F) -40°C to +70°C (-40°F to +158°F) (ICO120-WT) | -20°C to +70°C (-4°F to +158°F) |
| Dimensions (W x D x H) | 31 x 100 x 125 mm (1.22" x 3.93" x 4.92") | 31 x 100 x 125 mm (1.22" x 3.93" x 4.92") | 48 x 110 x 155 mm (1.88" x 4.33" x 6.1") |
| Weight (net/gross) | 0.3 kg (0.67 lb)/0.46 kg (1 lb) | 0.3 kg (0.67 lb)/0.46 kg (1 lb) | 1.0 kg (2.2 lb)/1.50 kg (3.3 lb) |
| Certifications | CE, FCC | CE, FCC | CE, FCC, UL |
| Mounting | DIN-rail/wall mount (optional) | DIN-rail/wall mount (optional) | DIN-rail/wall mount (optional) |
| EOS Support | Windows® 10 IoT, Linux | Windows® 10 IoT, Linux | Windows® 10 IoT, Linux |
| Software Support | AXView | AXView | AXView |



| Features/Models | ICO300-83B | ICO300-83M (ATEX/CID2) | ICO310 |
|-------------------------------|--|--|--|
| CPU Level | Intel® Celeron® N3350 1.1 GHz Intel® Pentium® N4200 1.1 GHz | Intel Atom® x5-E3930 1.3 GHz | Intel® Celeron® N3060 1.6 GHz Intel® Celeron® N3160 1.6 GHz |
| System Memory | 1 x DDR3L 1866 SO-DIMM, up to 8GB | 1 x DDR3L-1866 SO-DIMM, up to 8GB | 1 x DDR3L-1600 SODIMM, up to 8GB |
| Chipset | SoC integrated | SoC integrated | SoC integrated |
| TPM | TPM 2.0 | TPM 2.0 | N/A |
| Serial | 4 x DB9 Isolated RS-232/422/485 or RS-232/422/485 (ICO300-83B-4COM) (ICO300-83B-4ICOM) 2 x DB9 Isolated RS-232/422/485 or RS-232/422/485 (ICO300-83B-2ICOM) (ICO300-83B-2COM) | 2 x Isolated RS-232/422/485 (Phoenix Type) 4 x Isolated RS-232/422/485 (4-wire, Phoenix Type) | 2 x RS-232/422/485 |
| CANbus | N/A | N/A | N/A |
| Display | 1 x HDMI | 1 x HDMI | 1 x VGA |
| Ethernet | 2 x 10/100/1000 Mbps Ethernet (Intel® i211-AT) | 3 x 10/100/1000 Mbps Ethernet (Intel® i210-IT) | 2 x 10/100/1000 Mbps Ethernet (Intel® i211-AT) |
| PoE | N/A | N/A | 1 x PD (also can support 10/100/1000 Mbps Ethernet) |
| Expansion Interface | 2 x Full-size PCI Express Mini Card slot | 1 x M.2 Key B 3052 1 x Full-size Rev.1.2 PCI Express Mini Card slot 1 x Half-size Rev.1.2 PCI Express Mini Card slot | 2 x Full-size PCI Express Mini Card slot |
| DIO | 1 x 8-bit programmable DIO | 1 x Isolated 8-in/8-out DIO | 1 x 8-bit programmable DIO |
| USB | 4 x USB 3.0 | 2 x USB 3.0 | 2 x USB 3.0 2 x USB 2.0 |
| Storage | 1 x mSATA 1 x 2.5" SATA SSD/HDD | 1 x mSATA 1 x Internal 2.5" SATA drive 1 x eMMC on board | 1 x mSATA 1 x 2.5" SATA SSD/HDD |
| Watchdog Timer | 255 levels, 1 to 255 sec. | 255 levels, 1 to 255 sec. | 255 levels, 1 to 255 sec. |
| Power Input | 12 to 24 VDC (terminal block) | 9 to 36 VDC | 12 to 24 VDC (terminal block) |
| Operating Temperature | -40°C to +70°C (-40°F to +158°F) | -40°C to +75°C (-40°F to +167°F) | -20°C to +60°C (-4°F to +140°F) |
| Dimensions (W x D x H) | 48 x 110 x 155 mm (1.88" x 4.33" x 6.1") | 63 x 110 x 155 mm (2.48" x 4.33" x 6.1") | 48 x 110 x 155 mm (1.88" x 4.33" x 6.1") |
| Weight (net/gross) | 1.0 kg (2.2 lb)/1.50 kg (3.3 lb) | 1.0 kg (2.2 lb)/1.50 kg (3.3 lb) | 1.0 kg (2.2 lb)/1.50 kg (3.3 lb) |
| Certifications | CE, FCC | CE, FCC, ATEX, CID2 | CE, FCC |
| Mounting | DIN-rail/wall mount (optional) | DIN-rail/wall mount (optional) | DIN-rail/wall mount (optional) |
| EOS Support | Windows® 10 IoT, Linux | Windows® 10 IoT, Linux | Windows® 10 IoT, Linux |
| Software Support | AXView | AXView | AXView |



x86-based DIN-rail Embedded Systems

Selection Guide



| Features/Models | ICO320-83C | ICO500-518 | rBOX510-6COM(ATEX/CID2) |
|-------------------------------|--|--|--|
| CPU Level | Intel® Celeron® N3350 1.1 GHz | Intel® Core™ i7-7600U 2.8 GHz Intel® Core™ i5-7300U 2.6 GHz Intel® Core™ i3-7100U 2.4 GHz Intel® Celeron® 3965U 2.2 GHz | Intel Atom® E3827 1.75 GHz Intel Atom® E3845 1.91 GHz |
| System Memory | 1 x DDR3L 1866 SO-DIMM, up to 8 GB | DDR4-2133 SO-DIMM, up to 16GB | DDR3L-1333 4GB onboard |
| Chipset | SoC integrated | SoC integrated | SoC integrated |
| TPM | TPM 2.0 | TPM 2.0 (optional) | N/A |
| Serial | 1 x RS-232/422/485 (also can be serial console) | 1 x DB9 RS-232/422/485 | 2 x RS-232/422/485 4 x Isolated RS-232/422/485 |
| CANbus | 1 x CANBus 2.0 A/B (ICO320-COM-CAN) | N/A | N/A |
| Display | 1 x VGA | 1 x VGA 1 x HDMI | 1 x VGA |
| Ethernet | 4 x 10/100/1000 Mbps Ethernet (Intel® i211-AT) | 2 x 10/100/1000 Mbps Ethernet (Intel® i210-IT) | 2 x 10/100/1000 Mbps Ethernet (Intel® i210-IT) |
| PoE | 4 x RJ-45 PoE | N/A | N/A |
| Expansion Interface | 1 x Half-size PCI Express Mini Card slot 1 x Full-size PCI Express Mini Card slot | 2 x Full-size PCI Express Mini Card slot 1 x External SIM card slot | 1 x Full-size PCI Express Mini Card slot 2 x Full-size PCI Express Mini Card slot with SIM socket |
| DIO | 1 x 8-bit programmable DIO (optional) | 1 x Isolated 4-in/4-out DIO (terminal block) | 1 x Isolated 8-in/8-out DIO (terminal block) |
| USB | 2 x USB 3.0 | 4 x USB 3.0 | 1 x USB 3.0 1 x USB 2.0 |
| Storage | 1 x mSATA 1 x 2.5" SATA SSD/HDD | 1 x External CFast™ 1 x 2.5" SATA SSD/HDD | 1 x mSATA 1 x External CF™ 1 x 2.5" SATA SSD/HDD |
| Watchdog Timer | 255 levels, 1 to 255 sec. | 255 levels, 1 to 255 sec. | 255 levels, 1 to 255 sec. |
| Power Input | 12 to 24 VDC (terminal block) | 12 to 48 VDC (terminal block) | 12 to 48 VDC (terminal block) |
| Operating Temperature | -40°C to +70°C (-40°F to +158°F) | -40°C to +70°C (-40°F to +158°F) with 2 PIM (PIM700 excluded) -40°C to +60°C (-40°F to +140°F) with 1 PIM700, 1 the other PIM -40°C to +50°C (-40°F to +122°F) with 2 PIM700 | -40°C to +70°C (-40°F to +158°F) |
| Dimensions (W x D x H) | 48 x 110 x 155 mm (1.88" x 4.33" x 6.1") (ICO320-4LAN) 77 x 110 x 155 mm (3.03" x 4.33" x 6.1") (ICO320-4PoE) | 145 x 125 x 155 mm (5.70" x 4.92" x 6.10") | 100.6 x 110 x 135 mm (3.96" x 4.33" x 5.31") |
| Weight (net/gross) | 1.2 kg (2.2 lb)/1.70 kg (3.3 lb) (ICO320-4PoE) 1.0 kg (2.2 lb)/1.50 kg (3.3 lb) (ICO320-4LAN) | 2.2 kg (4.85 lb)/2.7 kg (5.95 lb) (PIM module excluded) | 1.5 kg (3.3 lb)/1.88 kg (4.14 lb) |
| Certifications | CE, FCC | CE, FCC | Heavy Industrial CE, FCC Part 18, UL60950-1 ATEX & CID2 Anti-Explosive Certification |
| Mounting | DIN-rail/wall mount (optional) | DIN-rail/wall mount (optional) | DIN-rail/wall mount (optional) |
| EOS Support | Windows® 10 IoT, Linux | Windows® 10 IoT, Linux | Windows® 7 Embedded, Windows® 8 Embedded IoT, Linux support package |
| Software Support | AXView | AXView | AXView |

RISC-based DIN-rail Embedded Systems

Selection Guide



| Features/Models | Agnet200-FL-DC |
|-------------------------------|---|
| CPU Level | NXP i.MX 6UltraLite, ARM® Cortex®-A7, 528 MHz |
| System Memory | 1 x DDR3L-1600 256MB onboard |
| Serial | 1 x RS-232/422/485 (selected by software) |
| CANBus | 1x CANBus |
| Console Port | Yes For user setting with debug |
| Ethernet | 1 x 10/100 Mbps (isolation 1.5 kV) |
| Wireless | 2 x PCI Express Mini Card slot (USB signal only) 1 x SIM card socket |
| DIO | 1 x DIO (4-in/4-out) |
| USB | 1 x USB 2.0 |
| Expansion Interface | N/A |
| Storage | 1 x eMMC 4GB onboard 1 x Micro SD card slot |
| Watchdog Timer | 0.5 to 128 sec. (time resolution of 0.5 sec.) |
| Power Input | 9 to 48 VDC |
| Operating Temperature | -40°C to +70°C (-40°F to +158°F) |
| Dimensions (W x D x H) | 31 x 100 x 125 mm (1.22" x 3.94" x 4.92") |
| Weight (net/gross) | 0.3 kg (0.66 lb)/0.44 kg (0.97 lb) |
| Certifications | CE, FCC |
| OS Support | Yocto Sumo |



RISC-based DIN-rail Embedded Systems

Selection Guide



| Features/Models | IRU151 | IRU151-I | IFB122 | rBOX630 |
|--|---|---|---|---|
| CPU Level | NXP i.MX 6UltraLite, ARM® Cortex®-A7, 528 MHz | NXP i.MX 6UltraLite, ARM® Cortex®-A7, 528 MHz | NXP i.MX 6UltraLite, ARM® Cortex®-A7, 528 MHz | NXP i.MX 6, ARM® Cortex®-A9, 800 MHz |
| System Memory | 1 x DDR3-1600 512MB onboard | 1 x DDR3-1600 512MB onboard | 1 x DDR3-1600 256MB onboard | 1 x DDR3-1600 1GB onboard |
| Serial | 1 x RS-232/422/485 (selected by software) | 1 x RS-232/422/485 (selected by software) | 2 x RS-232/422/485 (selected by software) | 4 x RS-232/422/485 |
| CANBus | N/A | N/A | N/A | 2 x CAN 2.0 B |
| Console Port | Yes For user setting with debug | Yes For user setting with debug | Yes For user setting with debug | Yes For user setting with debug |
| Ethernet | 1 x 10/100 Mbps (isolation 1.5 kV) | 1 x 10/100 Mbps (isolation 1.5 kV) | 2 x 10/100 Mbps (isolation 1.5 kV) | 1 x 10/100/1000 Mbps Ethernet 1 x 10/100 Mbps Ethernet (isolation 1.5 kV) |
| Wireless | 2 x PCI Express Mini Card slot (USB signal only) 1 x SIM card socket | 2 x PCI Express Mini Card slot (USB signal only) 1 x SIM card socket | 1 x PCI Express Mini Card slot (USB signal only) 1 x SIM card socket | 1 x PCI Express Mini Card slot (USB signal only) with outside 1 x SIM Socket 1 x PCI Express Mini Card slot (supports USB&PCIE interface) with inside 1 x SIM Socket |
| DIO | 1 x DIO (2-in/2-out) | 1 x DIO (2-in/2-out) | 1 x DIO (2-in/1-out) | 1 x DIO (8-in/ 8-out) (isolation 2 kV) |
| USB | 1 x USB 2.0 | 1 x USB 2.0 | 1 x USB 2.0 | 1 x USB 2.0 OTG |
| Expansion Interface/ Analog Input | 4 differential AI channels Resolution: 16-bit Sample Rate: 100 S/s Bipolar : ±5V, ±10V | 4 differential AI channels Resolution: 16-bit Sample Rate: 100 S/s Input impedance/range: 249Ω/±20mA | N/A | 1 x HDMI |
| Storage | 1 x eMMC 8GB onboard | 1 x eMMC 8GB onboard | 1 x eMMC 4GB onboard | 1 x eMMC 8GB flash onboard 1 x SDHC Card |
| Watchdog Timer | 0.5 to 128 sec. (time resolution of 0.5 sec.) | 0.5 to 128 sec. (time resolution of 0.5 sec.) | 0.5 to 128 sec. (time resolution of 0.5 sec.) | 1 to 255 sec. (time resolution of 1 sec.) |
| Power Input | 9 to 48 VDC | 9 to 48 VDC | 9 to 48 VDC | 12 to 48 VDC |
| Operating Temperature | -40°C to +70°C (-40°F to +158°F) | -40°C to +70°C (-40°F to +158°F) | -40°C to +70°C (-40°F to +158°F) | -40°C to +70°C (-40°F to +158°F) |
| Dimensions (W x D x H) | 55 x 82 x 108 mm (2.16" x 3.23" x 4.25") | 55 x 82 x 108 mm (2.16" x 3.23" x 4.25") | 31 x 100 x 125 mm (1.22" x 3.94" x 4.92") | 55 x 155 x 110 mm (2.16" x 6.10" x 4.33") |
| Weight (net/gross) | 0.32 kg (0.71 lb)/0.53 kg (1.17 lb) | 0.32 kg (0.71 lb)/0.53 kg (1.17 lb) | 0.3 kg (0.66 lb)/0.44 kg (0.97 lb) | 0.9 kg (2.1lb)/1.3kg (2.87 lb) |
| Certifications | CE, FCC | CE, FCC | CE, FCC | CE, FCC |
| OS Support | Yocto (Linux Kernel : 3.14.52) | Yocto (Linux Kernel : 3.14.52) | Yocto (Linux Kernel : 3.14.52) | Yocto (Linux Kernel : 3.0.35) |

DIN-rail Cybersecurity Gateways

Selection Guide



NEW



| Features \ Models | | iNA100 | iNA200 |
|-------------------------------|---------------------|---|---|
| Form Factor | | DIN-rail, wall mount (optional) | DIN-rail, wall/rack mount (optional) |
| Processor | | Intel Atom® x5-E3930 processor (Apollo Lake) | Intel Atom® x6212RE/x6414RE (Elkhart Lake) |
| Chipset | | SoC integrated | SoC integrated |
| BIOS | | AMI SPI Flash BIOS | AMI SPI Flash BIOS |
| Memory | Technology | DDR3L-1866 | DDR4-3200 |
| | Max Capacity | 8GB non-ECC/ECC | 32GB non-ECC/ECC |
| | Socket | 1 x 204-pin SO-DIMM | 1 x 260-pin SO-DIMM |
| Network Interface | Ethernet | 4 x 10/100/1000 Mbps | 2 x 10/100/1000 Mbps 2 x 2.5 GbE 2 x SFP |
| Storage | | 1 x mSATA 1 x 2.5" SSD /HDD | 1 x 16GB eMMC onboard 1 x 2.5" SSD |
| I/O | Serial | 1 x RS-232 1 x RS-232/422/485 | 1 x RS-232/422/485 (DB9) 1 x RS-485 (Terminal block) |
| | USB | 2 x USB 3.0 | 2 x USB 3.0 |
| | Management | N/A | 1 x RJ-45 for Console |
| | Display | 1 x HDMI | 1 x HDMI |
| Expansion Interface | | 1 x Half-size PCIe Mini Card slot with SATA/USB signal 1 x Full-size PCIe Mini Card slot with USB signal | 1 x M.2 key B 3042/3052 slot with PCIe/USB signal 1 x Full-size PCIe Mini Card slot with SATA/USB signal |
| TPM | | TPM 2.0 | TPM 2.0 |
| Fanless | | Yes | Yes |
| Power Supply | | 12 VDC | 9-36 VDC |
| Operating Temperature | | -20°C to +60°C (-4°F to +140°F) | -40°C to +75°C (-40°F to +167°F) |
| OS Support | | Win 10, Linux | Win 10, Linux |
| Dimensions (W x D x H) | | 54 x 120 x 150 mm (2.13" x 4.72" x 5.9") | 88 x 127 x 150 mm (3.47" x 5" x 5.9") |
| Certifications | | CE/FCC | CE/FCC |

Embedded Systems

1

2

3

4

5

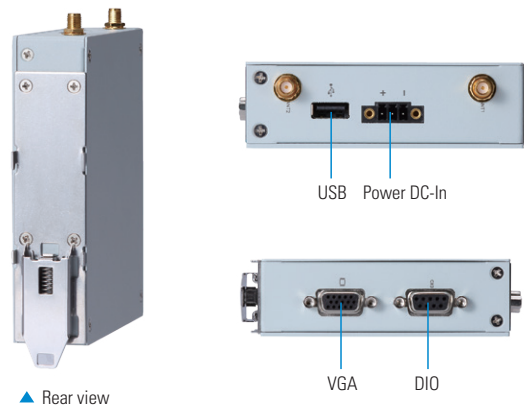
6

ICO100-839

Robust DIN-rail Fanless Embedded System with Intel® Celeron® Processor N3350, 2 COM, LAN, 2 USB, and DIO

Features

- Extreme cost-effective with fanless and cableless design
- Intel® Celeron® processor N3350, reliable F1 stepping version CPU
- 2 COM, 2 USB, and GbE LAN
- 8-bit programmable DIO for IoT gateway applications
- Wide operating temperature range from -20°C to +70°C
- 12 to 24 VDC wide range power input
- Supports SocketCAN
- AMS.AXView intelligent remote monitoring software for IIoT



Specifications

| | | |
|---------------------|---|--|
| Standard Color | Sliver | |
| Construction | Extruded aluminum and heavy-duty steel, IP30 | |
| CPU | Intel® Celeron® N3350 2C @1.1 GHz, TDP: 6W | |
| Chipset | SoC integrated | |
| System Memory | 1 x DDR3L-1866 SO-DIMM, up to 8GB | |
| BIOS | AMI | |
| TPM | TPM 2.0 | |
| System I/O Outlet | Serial | 2 x DB9 RS-232/422/485 |
| Others | Display | 1 x VGA |
| | USB | 2 x USB 2.0 |
| | Ethernet | 1 x RJ-45 isolated* 10/100/1000 Mbps Ethernet (Intel® i211-AT) *isolation voltage: 1.5 kV |
| | DIO | 1 x DB9 8-bit programmable DIO |
| | Others | 2 x Antenna opening |
| Extension Interface | 2 x Full-size Rev. 1.2 PCI Express Mini Card slot: <ul style="list-style-type: none"> • 1 x mSATA/PCIe/USB • 1 x USB/PCIe with SIM socket | |

| | | |
|-----------------------|--|---|
| Storage | SATA Drive | 1x mSATA (occupied 1 x PCI Express Mini Card slot) |
| | eMMC | Optional |
| Watchdog Timer | 255 levels, 1 to 255 sec. | |
| Power | Power Supply | 1 x Terminal block, 12 to 24 VDC |
| | Power Consumption | 12 to 24 VDC, 1.15-0.62A |
| System Indicator | 1 x LED indicator for SATA drive activity 1 x LED indicator for power | |
| Operating Temperature | -20°C to +70°C (-4°F to +158°F) with W.T. peripheral* | |
| Humidity | 0% to 95% | |
| Dimensions | 31 mm (1.22") (W) x 100 mm (3.93") (D) x 125 mm (4.92") (H) | |
| Vibration Endurance | 2 Gms with storage (5 to 500Hz, X/Y/Z direction; random operating) | |
| Weight (net/gross) | 0.3 kg (0.67 lb)/0.51 (1.12 lb) | |
| Certifications | CE (Class A), FCC (Class A) | |
| EMC | CE/FCC | EN 55032 (Class A), EN 55024, FCC part 15 B (Class A) |
| EOS Support | Windows® 10 IoT, Linux | |
| Software Support | AMS.AXView | |

* Wide Temperature. All W.T. supported products have to be sorted by Axiomtek.

Ordering Information

Standard

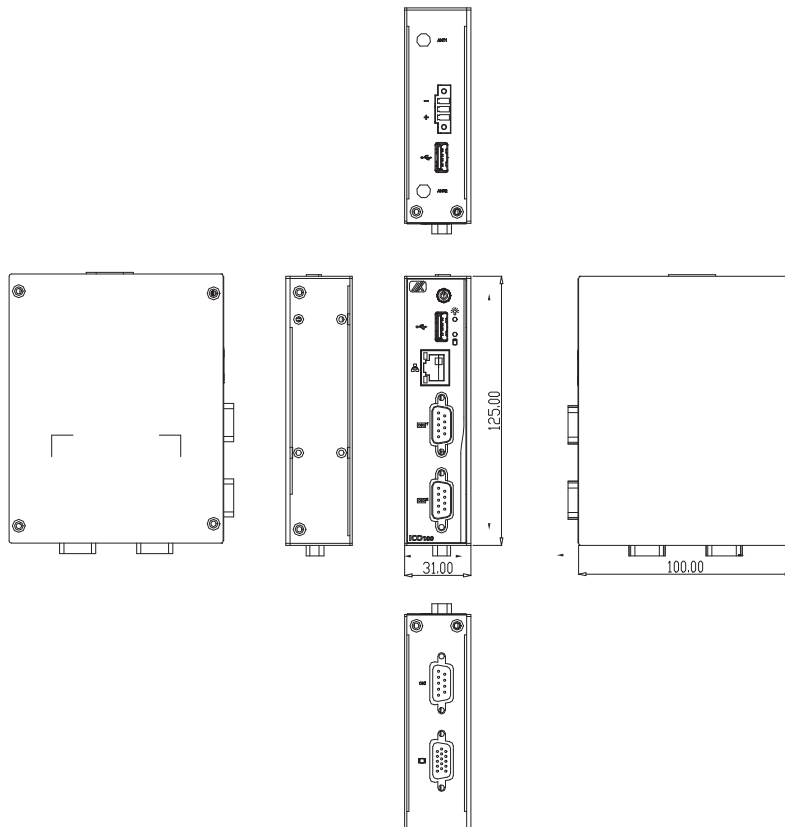
| | |
|---|--|
| IC0100-839-N3350-2COM-DIO-DC (P/N: E22C100107) | Robust DIN-rail fanless embedded system with Intel® Celeron® processor N3350 (1.1GHz), 2 COM, 1 GbE, 1 DIO, operating temperature from -20 to 70°C, and TPM 2.0 reserved |
|---|--|

Optional

| | |
|-----------------------|--|
| Communication Modules | 8812C300GA0E 3G UC20GKit tBOX/ICO (20) (E) 8812C300HA0E 3G/GPS UC20GKit tBOX/ICO (20) (E) 8812C1200A0E AP12356 Wi-Fi kit for tBOX/ICO (E) 8812C1201A0E AP12356 WT Wi-Fi kit for tBOX/ICO (E) 881745003A0E LTE EC25 (EU) kit(20) for UST SFP (E) 8816N8108A0E LTE MC7430 (EU) kit for tBOX (E) 8816N8107A0E LTE MC7430 (EU)with GPS kit for tBOX (E) 8816N8104A0E LTE MC7455 (US) kit for tBOX810 (E) 8816N8103A0E LTE MC7455 (US) with GPS kit for tBOX810 (E) 8812C3008A0E LTE SIM7100C (TW) with extant antenna for IC0300 (E) 8812C300IA0E LTE SIM7100JC kit for ICO (20) JPN SFP (E) 8812C300EA0E LTE SIMCOM SIM7100C (TW) for IC0300 SFP (E) 8812C300DA0E LTE SIMCOM SIM7100E (EU) for IC0300 SFP (E) |
| AC to DC Adapter | 50956A24040E Adapter 12V36W FSP036-RHBN3 with wire type |

* Specifications and certifications may vary based on different requirements.

Dimensions



ICO120-83D

Robust DIN-rail Fanless Embedded System with Intel® Celeron® Processor N3350, COM or CAN, 2 LAN, 2 USB, and DIO

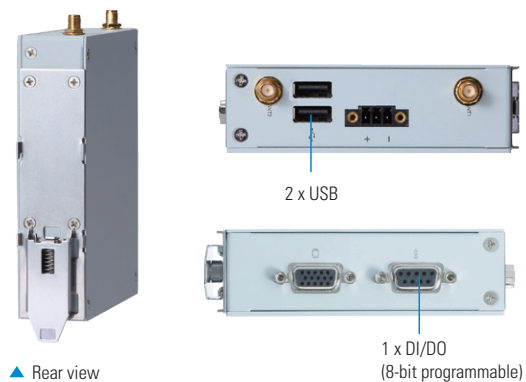
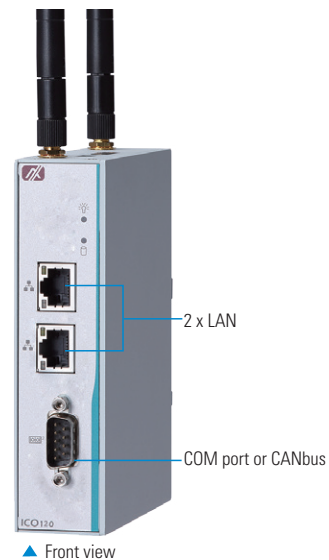
Features

- Extreme cost-effective with fanless and cableless design
- Intel® Celeron® processor N3350, reliable F1 stepping version CPU
- 1 COM or CAN, 2 USB, and 2 GbE LAN
- 8-bit programmable DIO for IoT gateway applications
- Wide operating temperature range from -20°C to +70°C
- 12 to 24 VDC wide range power input
- OVP, UVP, OCP, RPP power protection design
- Supports SocketCAN
- AMS.AXView intelligent remote monitoring software for IIoT
- Microsoft Azure IoT Edge certified



Specifications

| | | |
|---------------------|--|--|
| Standard Color | Sliver | |
| Construction | Extruded aluminum and heavy-duty steel, IP30 | |
| CPU | Intel® Celeron® N3350 2C @1.1 GHz, TDP: 6W | |
| Chipset | SoC integrated | |
| System Memory | 1 x DDR3L-1866 SO-DIMM, up to 8GB | |
| BIOS | AMI | |
| TPM | TPM 2.0 | |
| System I/O Outlet | Serial | 1 x DB9 RS-232/422/485* |
| | CAN | 1 x DB9 CANBus 2.0 A/B, supports SocketCAN* |
| | Display | 1 x VGA |
| | USB | 2 x USB 2.0 |
| | Ethernet | 2 x RJ-45 isolated* 10/100/1000 Mbps Ethernet (Intel® i211-AT) *isolation voltage: 1.5 kV |
| | DIO | 1 x DB9 8-bit programmable DIO |
| | Others | 2 x Antenna opening |
| Extension Interface | 1 x Full-size Rev. 1.2 PCI Express Mini Card slot: • USB/PCIe with SIM socket | |
| | 1 x Half-size Rev. 1.2 PCI Express Mini Card slot: • mSATA/USB/PCIe | |
| Storage | SATA Drive | 1 x mSATA (occupied 1 x PCI Express Mini Card slot) |
| | eMMC | Optional |
| Watchdog Timer | 255 levels, 1 to 255 sec. | |



| | | |
|-----------------------|---|---|
| Power | Power Supply | 1 x Terminal block, 12 to 24 VDC |
| | Power | 12 to 24 VDC, 1.39-0.72A |
| | Consumption | |
| System Indicator | 1 x LED indicator for SATA drive activity | |
| | 1 x LED indicator for power | |
| Operating Temperature | -20°C to +70°C (-4°F to +158°F) with W.T. peripheral** | |
| Humidity | 0% to 95% | |
| Vibration Endurance | 2 Gms with storage (5 to 500Hz, X/Y/Z direction; random, operating) | |
| Weight (net/gross) | 0.3 kg (0.67 lb)/0.45 kg (0.99 lb) | |
| Certifications | CE (Class A), FCC (Class A) | |
| EMC | CE/FCC | EN 55032 (Class A), EN 55024, FCC part 15 B (Class A) |
| | | |
| Dimensions | 31 mm (1.22") (W) x 100 mm (3.93") (D) x 125 mm (4.92") (H) | |
| EOS Support | Windows® 10 IoT, Linux | |
| Software Support | AMS.AXView | |

* See Ordering information

** Wide Temperature. All W.T. supported products have to be sorted by Axiomtek.

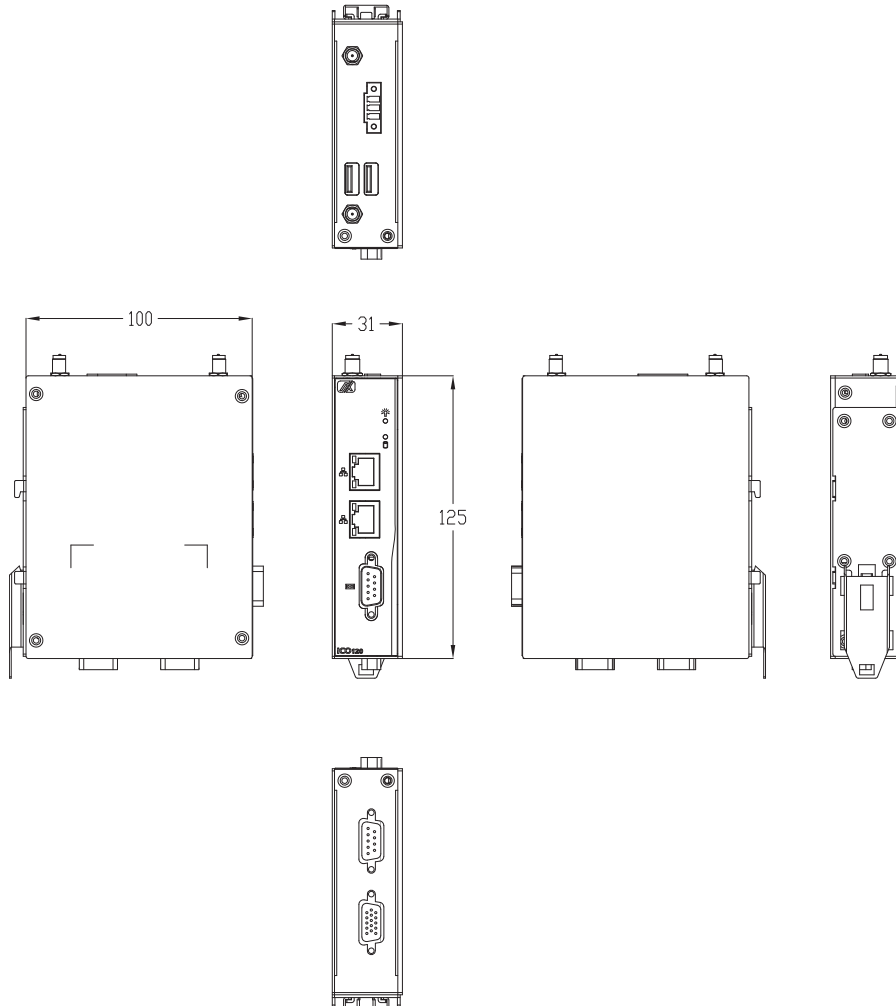
Ordering Information

| Standard | |
|--|--|
| IC0120-83D-N3350-COM-DIO-DC (P/N: E22C120106) | Robust DIN-rail fanless embedded system with Intel® Celeron® N3350 processor, 1 COM, 2 LAN, 2 USB, 1 DIO, operating temperature from -20 to 70°C, and TPM 2.0 reserved |
| IC0120-83D-N3350-CAN-DIO-DC (P/N: E22C120107) | Robust DIN-rail fanless embedded system with Intel® Celeron® N3350 processor, 1 CANbus 2.0 A/B, 2 LAN, 2 USB, 1 DIO, operating temperature from -20 to 70°C, TPM 2.0 reserved, and SocketCAN supported |
| E22C120108_IC0120-83D-N3350-COM-DIO-DC-WT (P/N: E22C120108) | Robust DIN-rail fanless embedded system with Intel® Celeron® N3350 processor, 1 COM, 2 LAN, 2 USB, 1 DIO, operating temperature from -40 to 70°C, and TPM 2.0 reserved |

| Optional | | |
|-----------------------|--------------|--|
| Communication Modules | 8812C300GA0E | 3G UC20GKit tBOX/ICO (20) (E) |
| | 8812C300HA0E | 3G/GPS UC20GKit tBOX/ICO (20) (E) |
| | 8812C1200A0E | AP12356 Wi-Fi kit for tBOX/ICO (E) |
| | 8812C1201A0E | AP12356 WT Wi-Fi kit for tBOX/ICO (E) |
| | 8816N8108A0E | LTE MC7430 (EU) kit for tBOX (E) |
| | 8816N8104A0E | LTE MC7455 (US) kit for tBOX810 (E) |
| | 8812C3008A0E | LTE SIM7100C (TW) with extent antenna for ICO300 (E) |
| | 8812C300IA0E | LTE SIM7100JC kit for ICO (20) JPN SFP (E) |
| | 8812C300EA0E | LTE SIMCOM SIM7100C (TW) for ICO300 SFP (E) |
| | 8812C300DA0E | LTE SIMCOM SIM7100E (EU) for ICO300 SFP (E) |
| AC to DC Adapter | 50956A24040E | Adapter 12V36W FSP036-RHBN3 with wire type |

* Specifications and certifications may vary based on different requirements.

Dimensions

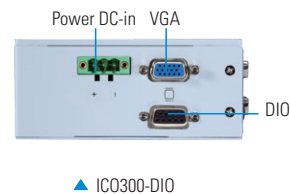
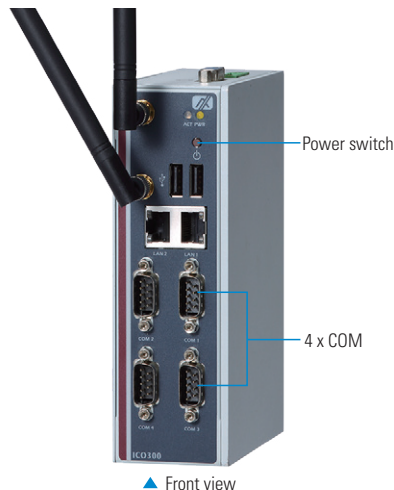


ICO300

Robust DIN-rail Fanless Embedded System with Intel Atom® Processor E3815/E3827, 4 COM, 2 LAN, DIO, and RTC

Features

- Cost-effective with fanless and cableless design
- Intel Atom® processor E3815 or E3827
- 4 RS-232/422/485 ports
- 2 isolated 10/100/1000 Mbps Ethernet ports
- 1 DIO port
- 1 PCI Express Mini Card slot (3G/GPRS or Wi-Fi)
- 1 CompactFlash (or mSATA) and SATA SSD (or HDD)
- 12 to 24 VDC wide range power input
- Supports Windows® 10 IoT solution



Specifications

| | | |
|-------------------|--|---|
| Standard Color | Silver | |
| Construction | Extruded aluminum and heavy-duty steel, IP40 | |
| CPU | Intel Atom® processor E3815 (1.46 GHz) or E3827 (1.75 GHz) | |
| System Board | SBC87842 | |
| System Memory | 1 x DDR3L-1333/1600 SO-DIMM, up to 8GB | |
| BIOS | AMI UEFI BIOS | |
| System I/O Outlet | Serial | 4 x RS-232/422/485 (COM 1 to 4) Interface select by BIOS Supports Auto Flow Control in RS-485 mode |
| | RTC | Battery onboard |
| | USB | 2 x USB 2.0 |
| | Storage | 1 x CompactFlash™ (or mSATA*) 1 x SATA SSD (or HDD) |
| | LAN | 2 x 10/100/1000 Mbps Ethernet (Intel® i211-AT for ICO300) (Intel® i210-IT for ICO300-WT) |
| | Display | 1 x VGA |
| | DIO (ICO300-DIO) | 1 x DI/DO (8-bit programmable, DB9 female connector) Voltage is 5V TTL-level ESD protection corresponds to IEC6100-4-2 (± 8kV (Air); ± 4kV (contact)) Programming: I/O sink current is 10mA (max.) Input/output can be programming |
| | Power Input | 1 x DC power input with terminal block |
| | Wireless | 1 x Full-size PCI Express Mini Card slot 1 x SIM Card socket 2 x Antenna |

| | |
|-----------------------|---|
| Watchdog Timer | 255 levels, 1 to 255 sec. |
| System Indicator | Power, active |
| Power Supply | Power input range: 12 to 24 VDC Power input rating: 12 to 24 VDC, 1.21 to 0.66A (ICO300-E3815) 12 to 24 VDC, 1.42 to 0.74A (ICO300-E3827) Power protection: DC version, OVP, Reverse protection |
| Operating Temperature | -20°C to +70°C (-4°F to +158°F) |
| Humidity | 10% to 95% |
| Vibration Endurance | 2 Gms (5 to 500Hz, amplitude 0.35 mm; operation/storage/transport) |
| Weight (net/gross) | 1.0 kg (2.2 lb)/1.50 kg (3.3 lb) |
| Certifications | CE, FCC, UL |
| Dimensions | 48 mm (1.88") (W) x 110 mm (4.33") (D) x 155 mm (6.1") (H) |
| EOS Support | Windows® 7 embedded Windows® 8 embedded Linux support package Windows® 10 IoT core pro |

* mSATA and wireless can be either one.

** mSATA and CF can be either one.

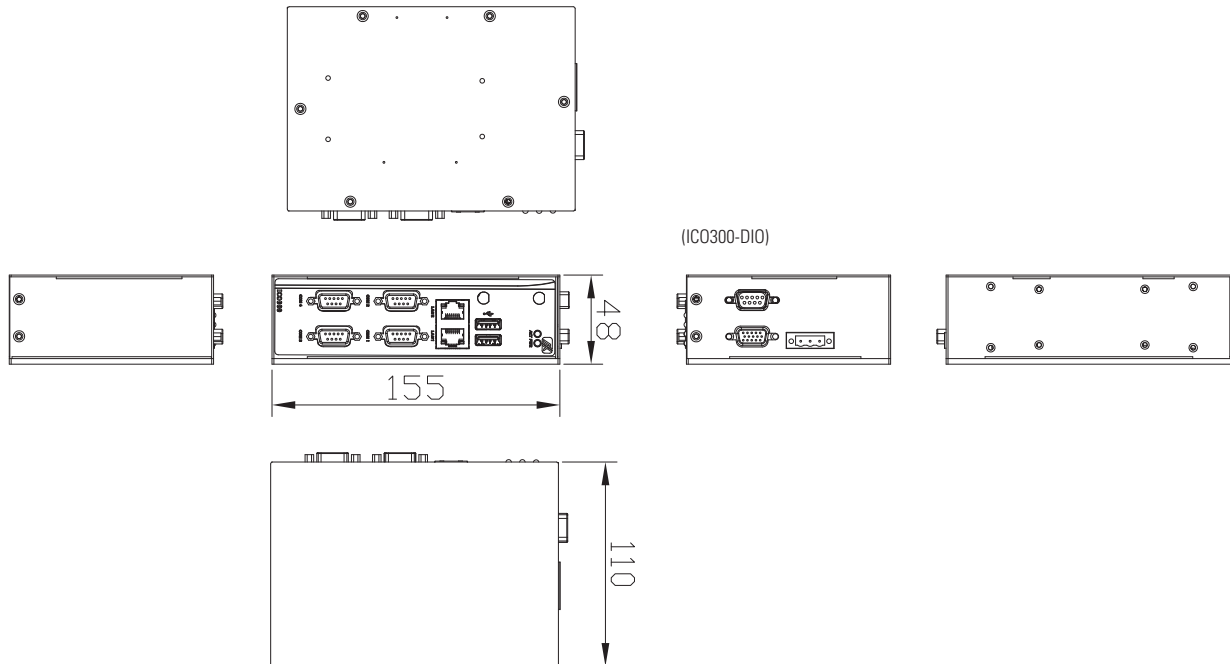
Ordering Information

| Standard | |
|---|--|
| IC0300-E3815-DIO-PB-DC (P/N: E22C300111) | Robust DIN-rail fanless embedded system with Intel Atom® processor E3815 1.46 GHz, 4 COM, and DIO (-20°C to +70°C) |
| IC0300-E3827-DIO-PB-DC (P/N: E22C300112) | Robust DIN-rail fanless embedded system with Intel Atom® processor E3827 1.75 GHz, 4 COM, and DIO (-20°C to +70°C) |

| Optional | |
|---|--|
| CompactFlash™ | 4GB or above (with W.T. CF) |
| 2.5" SATA SSD or HDD (with W.T. SSD or HDD) | |
| DDR3L SO-DIMM | 2GB to 8GB (with W.T. memory) |
| 8812C3000A0E | IC0300/310/320 wall mount bracket kit |
| 8816N3234A0E | 3G/GPS UC20G kit for tBOX (3G ANT) (E) |
| 8816N3235A0E | 3G/GPS UC20G kit for tBOX (3G/GPS ANT) (E) |
| 8812C3003A0E | SparkLAN WPEA-152GN Wi-Fi kit ICO SFP (E) |
| 8812C3004A0E | SparkLAN WPEA-251N Wi-Fi kit ICO SFP (E) |
| 82606200390E | LTE module SIERRA MC7304 kit for EU SFP |
| 822C3001070E | LTE SIM7100C with EXT ANT for IC0300 SFP |
| 826N3230060E | tBOX series Bointec CPE902A Wi-Fi SFP |

* Specifications and certifications may vary based on different requirements.

Dimensions

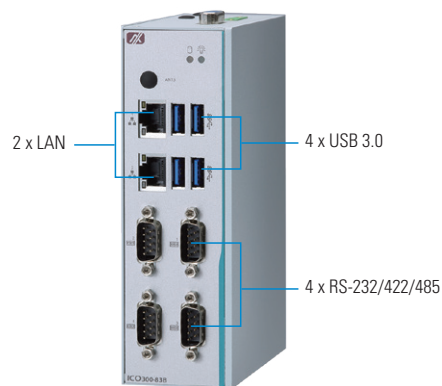


ICO300-83B

Robust DIN-rail Fanless Embedded System with Intel® Celeron® Processor N3350 or Pentium® Processor N4200, Isolated COM, LAN, and DIO

Features

- Cost-effective with fanless and cableless design
- Intel® Celeron® processor N3350 or Pentium® processor N4200, reliable F1 stepping version CPU
- 4 isolated COM, 4 USB, and 2 GbE LAN
- 8-bit programmable DIO for IoT gateway applications
- Wide operating temperature range from -40°C to +70°C
- 12 to 24 VDC wide range power input
- OVP, UVP, OCP, RPP power protection design
- AMS.AXView intelligent remote monitoring software for IIoT



▲ Front view



▲ Rear view



HDMI ▲ Top view



Specifications

| | | |
|---------------------|--|---|
| Standard Color | Silver | |
| Construction | Extruded aluminum and heavy-duty steel, IP30 | |
| CPU | Intel® Celeron® N3350 2C @1.1 GHz, TDP: 6W Intel® Celeron® N4200 4C @1.1 GHz, TDP: 6W | |
| Chipset | SoC integrated | |
| System Memory | 1 x DDR3L-1866 SO-DIMM, up to 8GB | |
| BIOS | AMI | |
| TPM | TPM 2.0 | |
| System I/O Outlet | Serial | 4 x DB9 Isolated* RS-232/422/485 |
| | Display | 1 x HDMI (up to 1920 x 1200 @60Hz) |
| | USB | 4 x USB 3.0 |
| | Ethernet | 2 x RJ-45 isolated* 10/100/1000 Mbps Ethernet (Intel® i211-AT) *isolation voltage: 1.5 kV |
| | DIO | 1 x DB9 8-bit programmable DIO |
| | Others | 3 x Antenna opening |
| Extension Interface | 2 x Full-size Rev. 1.2 PCI Express Mini Card slot: | |
| | <ul style="list-style-type: none"> • 1 x USB/PCIe with SIM socket • 1 x mSATA/USB/PCIe | |
| Storage | SATA Drive | 1 x mSATA (occupied 1 x PCI Express Mini Card slot) 1 x Internal 2.5" SATA drive (9.5 mm height) |

| | | |
|---------------------|--|---|
| Watchdog Timer | 255 levels, 1 to 255 sec. | |
| Power | Power Supply | 1 x Terminal block, 12 to 24 VDC |
| | Power Consumption | 12 to 24VDC, 2.82-1.34A |
| | | |
| System Indicator | 1 x LED indicator for SATA drive activity 1 x LED indicator for power | |
| | Operating Temperature | -40°C to +70°C (-40°F to +158°F) with W.T. peripheral** |
| Humidity | 0% to 95% | |
| Vibration Endurance | 3 Gms with storage (5 to 500Hz, X/Y/Z direction; random, operating) | |
| Weight (net/gross) | 1.0 kg (2.2 lb)/1.50 kg (3.3 lb) | |
| Certifications | CE (Class A), FCC (Class A) | |
| EMC | CE/FCC | EN 55032 (Class A), EN 55024, FCC part 15 B (Class A) |
| Dimensions | 48 mm (1.88") (W) x 110 mm (4.33") (D) x 155 mm (6.1") (H) | |
| EOS Support | Windows® 10 IoT, Linux | |
| Software Support | AMS.AXView | |

* See Ordering information

** Wide Temperature. All W.T. supported products have to be sorted by Axiomtek.

Ordering Information

Standard

| | | |
|--|---|-----------------------|
| IC0300-83B-N3350-4ICOM / 4COM-HDMI-DIO-WT-DC (P/N: E22C300144) for Isolation COM (P/N: E22C300146) for Non-Isolation COM | Robust DIN-rail Fanless Embedded System with Intel® Celeron® Processor N3350 (1.1GHz), 4 COM, 2 GbE, 4 USB, HDMI, DIO, operating temperature -40°C to 70°C, and TPM2.0 reserved | <i>N3350 CPU SKUs</i> |
| IC0300-83B-N4200-4ICOM / 4COM-HDMI-DIO-WT-DC (P/N: E22C300147) for Isolation COM (P/N: E22C300145) for Non-Isolation COM | Robust DIN-rail Fanless Embedded System with Intel® Celeron® Processor N4200 (1.1GHz), 4 COM, 2 GbE, 4 USB, HDMI, DIO, operating temperature -40 to 70°C, and TPM2.0 reserved | <i>N4200 CPU SKUs</i> |

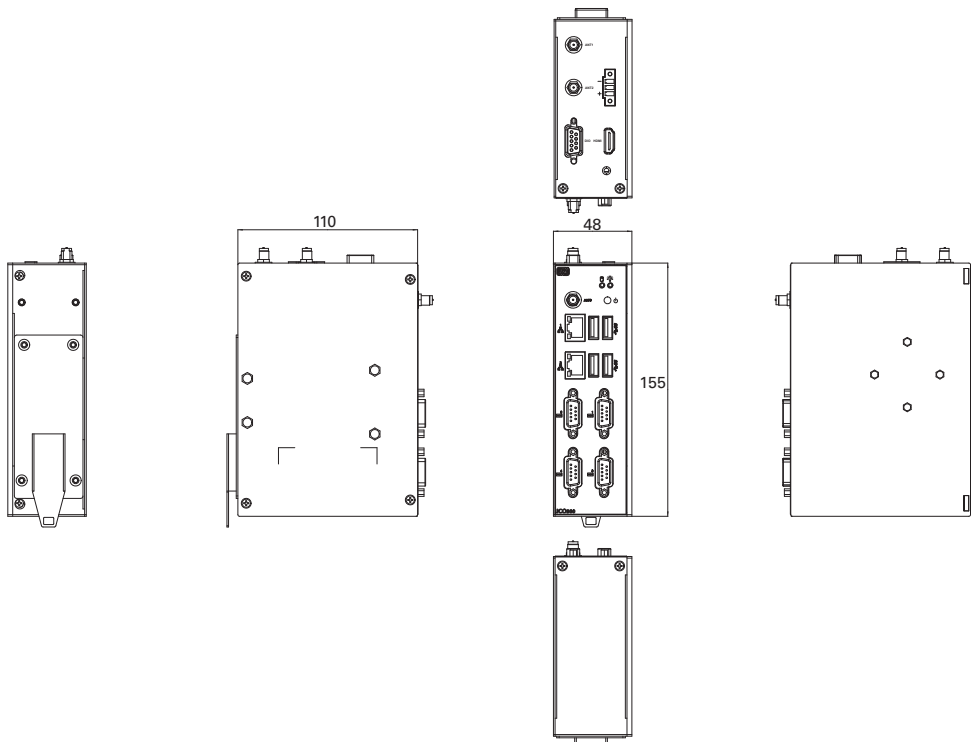
*4ICOM: with 4 x Isolation COM ports
 *4COM: with 4 x Non-Isolation COM ports

Optional

| | | |
|-----------------------|--|---|
| Communication Modules | 8812C300GA0E | 3G UC20GKit tBOX/ICO (20) (E) |
| | 8812C300HA0E | 3G/GPS UC20GKit tBOX/ICO (20) (E) |
| | 8812C1200A0E | AP12356 Wi-Fi kit for tBOX/ICO (E) |
| | 8812C300CA0E | AP12356WT Wi-Fi kit for ICO300 SFP (E) |
| | 8812C300IA0E | LTE SIM7100JC kit for ICO (20) JPN SFP (E) |
| AC to DC Adapter | 8812C300EA0E | LTE SIMCOM SIM7100C (TW) for ICO300 SFP (E) |
| | 8812C300DA0E | LTE SIMCOM SIM7100E (EU) for ICO300 SFP (E) |
| | 8816N3235A0E | 3G/GPS UC20G kit for tBOX (3G/GPS ANT) (E) |
| 50956A24040E | Adapter 12V36W FSP036-RHBN3 with wire type | |

* Specifications and certifications may vary based on different requirements.

Dimensions

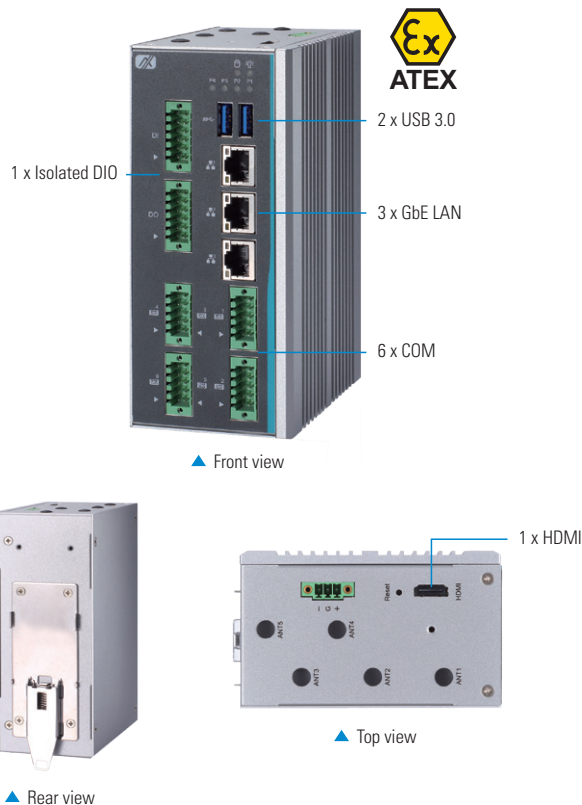


ICO300-83M

ATEX/CID2 Certified DIN-rail Fanless Embedded System with Intel Atom® x5-E3930 Processor, Isolated COM, LAN, and DIO

Features

- Cost-effective with fanless design
- Intel Atom® x5-E3930 Processor
- 6 isolated COM, isolated DIO (8-in/8-out), and 3 GbE LAN
- Wide operating temperature range from -40°C to +85°C
- 9 to 36 VDC, typical 12-24V power input with OVP, UVP, OCP, RPP
- Supports TPM 2.0
- ATEX/Class I Division 2 (CID2) certified
- Supports cold boot at -40°C



Specifications

| | | |
|---------------------|--|--|
| Standard Color | Silver | |
| Construction | Extruded aluminum and heavy-duty steel, IP40 | |
| CPU | Intel Atom® x5-E3930 processor, 1.3GHz/2C/6.5W | |
| Chipset | SoC integrated | |
| System Memory | 1 x DDR3L-1866 SO-DIMM, up to 8GB | |
| BIOS | AMI | |
| TPM | TPM 2.0 | |
| System I/O Outlet | Serial | 2 x Isolated* RS-232/422/485 (Phoenix Type) 4 x Isolated* RS-232/422/485 (4-wire, Phoenix Type) |
| | Display | 1 x HDMI (up to 1920 x 1080 @60Hz) |
| | USB | 2 x USB 3.0 |
| | Ethernet | 3 x RJ-45 isolated* 10/100/1000 Mbps Ethernet (Intel® i210-IT) *Isolation voltage: 1.5 kV |
| | DIO | 1 x Isolated 8-in/8-out DIO |
| | Others | 5 x Antenna opening |
| Extension Interface | 1 x M.2 Key B 3052: USB3.0 /PCIe 1 x Full-size Rev.1.2 PCI Express Mini Card slot: USB (for LTE/Wi-Fi module) 1 x Half-size Rev.1.2 PCI Express Mini Card slot: USB/mSATA (for mSATA) 2 x SIM slot (1 for M.2; 1 for full-size PCI Express Mini Card) | |

| | | |
|-----------------------|--|---|
| Storage | SATA Drive | 1 x mSATA (occupied 1 x PCI Express Mini Card slot) 1 x Internal 2.5" SATA drive (9.5 mm height) 1 x 8G eMMC on board |
| | Watchdog Timer | 255 levels, 1 to 255 sec. |
| Power Supply | 1 x Terminal block, 9 to 36 VDC, typical 12/24V | |
| System Indicators | 1 x LED indicator for SATA drive 1 x LED indicator for power 4 x Programmable LED | |
| Operating Temperature | -40°C to +75°C (-40°F to +167°F) Cold boot at -40°C Supports +85°C operating temperature under condition | |
| Humidity | 10% to 95% | |
| Vibration Endurance | 3 Gms with storage (5 to 500Hz, X/Y/Z direction; random, operating) | |
| Dimensions | 66 mm (2.48") (W) x 110 mm (4.33") (D) x 155 mm (6.1") (H) | |
| Weight (net/gross) | 1.0 kg (2.2 lb)/1.50 kg (3.3 lb) | |
| Certifications | CE (Class A), FCC (Class A) | |
| EMC | CE/FCC UL, ATEX/Class I Division 2 | |
| EOS Support | Windows® 10 IoT, Linux | |

* See Ordering information

** Wide Temperature. All W.T. supported products have to be sorted by Axiomtek.

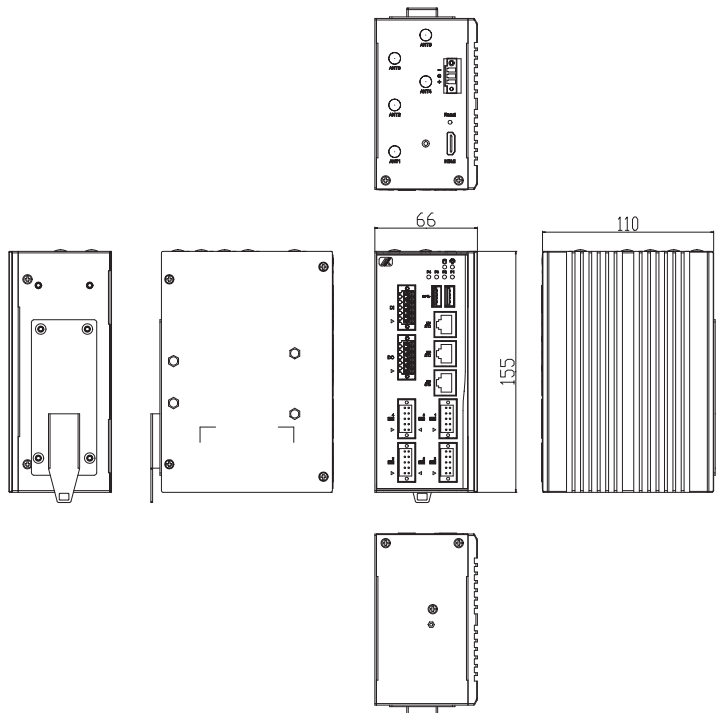
Ordering Information

Standard

IC0300-83M

ATEX/CID2 Certified DIN-rail Fanless Embedded System with Intel Atom® x5-E3930 Processor, Isolated COM, LAN, and DIO

Dimensions



ICO310

Robust DIN-rail Fanless Embedded System with Intel® Celeron® Processor N3060/N3160, 2 COM, 4 USB, 2 GbE LAN (1 PoE PD), DIO, and RTC

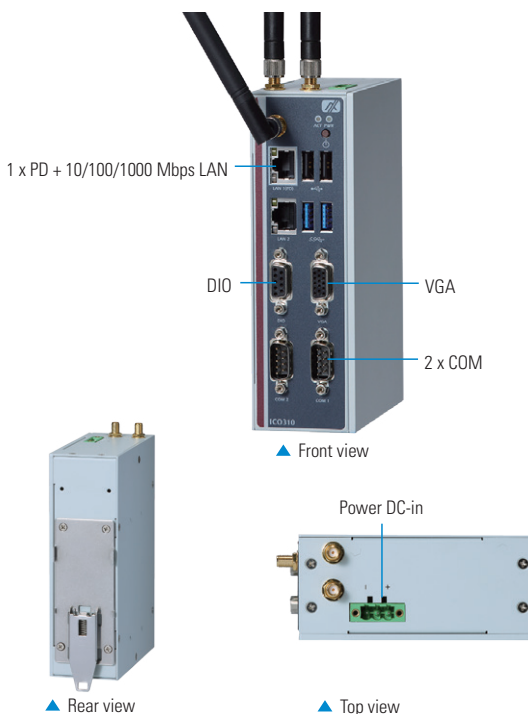
Features

- Cost-effective with fanless and cableless design
- Intel® Celeron® processor N3060 (1.6 GHz/2-core) or N3160 (1.6 GHz/4-core)
- 2 RS-232/422/485 ports
- 4 USB ports
- 2 isolated 10/100/1000 Mbps Ethernet ports
- 1 PoE PD compliant with IEEE 802.3at standard through LAN 1
- 1 DIO port
- 2 PCI Express Mini Card slots (for 3G/GPRS and Wi-Fi)
- 1 mSATA & SATA SSD (or HDD)
- 12 to 24 VDC wide range power input
- AMS.AXView intelligent remote monitoring software for IIoT



Specifications

| | | | | | | | | | | | | | | | | | | | |
|-------------------|---|--------|---|-----|----------------------------|-----|-----------------|---------|------------------------------------|-----|---|-------------|---|---------|----------------------|----------|---|-----|--|
| Standard Color | Silver | | | | | | | | | | | | | | | | | | |
| Construction | Extruded aluminum and heavy-duty steel, IP40 | | | | | | | | | | | | | | | | | | |
| CPU | Intel® Celeron® processor N3060 (1.6 GHz/2-core) or N3160 (1.6 GHz/4-core) | | | | | | | | | | | | | | | | | | |
| System Board | SBC87887 | | | | | | | | | | | | | | | | | | |
| System Memory | 1 x DDR3L-1600 SO-DIMM, up to 8GB | | | | | | | | | | | | | | | | | | |
| BIOS | AMI UEFI BIOS | | | | | | | | | | | | | | | | | | |
| System I/O Outlet | <table border="0"> <tr> <td>Serial</td> <td>2 x RS-232/422/485 with DB9 connectors Interface select by BIOS Supports Auto Flow Control in RS-485 mode</td> </tr> <tr> <td>USB</td> <td>2 x USB 3.0 2 x USB 2.0</td> </tr> <tr> <td>RTC</td> <td>Battery onboard</td> </tr> <tr> <td>Storage</td> <td>1 x mSATA 1 x SATA SSD (or HDD)</td> </tr> <tr> <td>LAN</td> <td>2 x 10/100/1000 Mbps Ethernet (Intel® i211AT) 1 x PoE PD compliant with IEEE 802.3at standard through LAN 1 (ICO310-N3060-PD-DC, ICO310-N3160-PD-DC)</td> </tr> <tr> <td>Power Input</td> <td>DC terminal block: 12 to 24V DC-In PoE: IEEE 802.3at</td> </tr> <tr> <td>Display</td> <td>VGA (DB15 connector)</td> </tr> <tr> <td>Wireless</td> <td>1 x Full-size PCI Express Mini Card slot 1 x Full-size PCI Express Mini Card slot with mSATA 1 x SIM card socket 3 x Antenna</td> </tr> <tr> <td>DIO</td> <td>1 x DIO - DB9 8-bit programming connector - The voltage of TTL is 5V - Without isolation function - The programming is as follow: 1. I/O sink current is 8 to 10mA (output drive current ±50 mA) 2. Input/output can programming</td> </tr> </table> | Serial | 2 x RS-232/422/485 with DB9 connectors Interface select by BIOS Supports Auto Flow Control in RS-485 mode | USB | 2 x USB 3.0 2 x USB 2.0 | RTC | Battery onboard | Storage | 1 x mSATA 1 x SATA SSD (or HDD) | LAN | 2 x 10/100/1000 Mbps Ethernet (Intel® i211AT) 1 x PoE PD compliant with IEEE 802.3at standard through LAN 1 (ICO310-N3060-PD-DC, ICO310-N3160-PD-DC) | Power Input | DC terminal block: 12 to 24V DC-In PoE: IEEE 802.3at | Display | VGA (DB15 connector) | Wireless | 1 x Full-size PCI Express Mini Card slot 1 x Full-size PCI Express Mini Card slot with mSATA 1 x SIM card socket 3 x Antenna | DIO | 1 x DIO - DB9 8-bit programming connector - The voltage of TTL is 5V - Without isolation function - The programming is as follow: 1. I/O sink current is 8 to 10mA (output drive current ±50 mA) 2. Input/output can programming |
| Serial | 2 x RS-232/422/485 with DB9 connectors Interface select by BIOS Supports Auto Flow Control in RS-485 mode | | | | | | | | | | | | | | | | | | |
| USB | 2 x USB 3.0 2 x USB 2.0 | | | | | | | | | | | | | | | | | | |
| RTC | Battery onboard | | | | | | | | | | | | | | | | | | |
| Storage | 1 x mSATA 1 x SATA SSD (or HDD) | | | | | | | | | | | | | | | | | | |
| LAN | 2 x 10/100/1000 Mbps Ethernet (Intel® i211AT) 1 x PoE PD compliant with IEEE 802.3at standard through LAN 1 (ICO310-N3060-PD-DC, ICO310-N3160-PD-DC) | | | | | | | | | | | | | | | | | | |
| Power Input | DC terminal block: 12 to 24V DC-In PoE: IEEE 802.3at | | | | | | | | | | | | | | | | | | |
| Display | VGA (DB15 connector) | | | | | | | | | | | | | | | | | | |
| Wireless | 1 x Full-size PCI Express Mini Card slot 1 x Full-size PCI Express Mini Card slot with mSATA 1 x SIM card socket 3 x Antenna | | | | | | | | | | | | | | | | | | |
| DIO | 1 x DIO - DB9 8-bit programming connector - The voltage of TTL is 5V - Without isolation function - The programming is as follow: 1. I/O sink current is 8 to 10mA (output drive current ±50 mA) 2. Input/output can programming | | | | | | | | | | | | | | | | | | |
| Watchdog Timer | 255 levels, 1 to 255 sec. | | | | | | | | | | | | | | | | | | |
| System Indicator | Power, active, COM (TX/RX) | | | | | | | | | | | | | | | | | | |



| | |
|-----------------------|---|
| Power Supply | Power input range: 12 to 24 VDC Power input rating: 12 to 24 VDC, 2.09 to 1.09A Power protection: DC version OVP, reverse protection |
| Operating Temperature | -20°C to +60°C (-4°F to +140°F) *The frequency of CPU will down when system operating temperature over +55°C (ICO310-N3060, ICO310-N3060-PD, ICO310-N3160) or over +50°C (ICO310-N3160-PD) |
| Humidity | 10% to 95% |
| Vibration Endurance | 2 Gms (5 to 500Hz, amplitude 0.35 mm; operation/storage/transport) |
| Weight (net/gross) | 1.0 kg (2.2 lb)/1.50 kg (3.3 lb) |
| Certifications | CE, FCC |
| Dimensions | 48 mm (1.88") (W) x 110 mm (4.33") (D) x 155 mm (6.1") (H) |
| Mounting | DIN-rail, wall mount |
| OS Support | Windows® 10 IoT, Linux |
| Software Support | AMS.AXView |

* mSATA and wireless can be either one.

Ordering Information

Standard

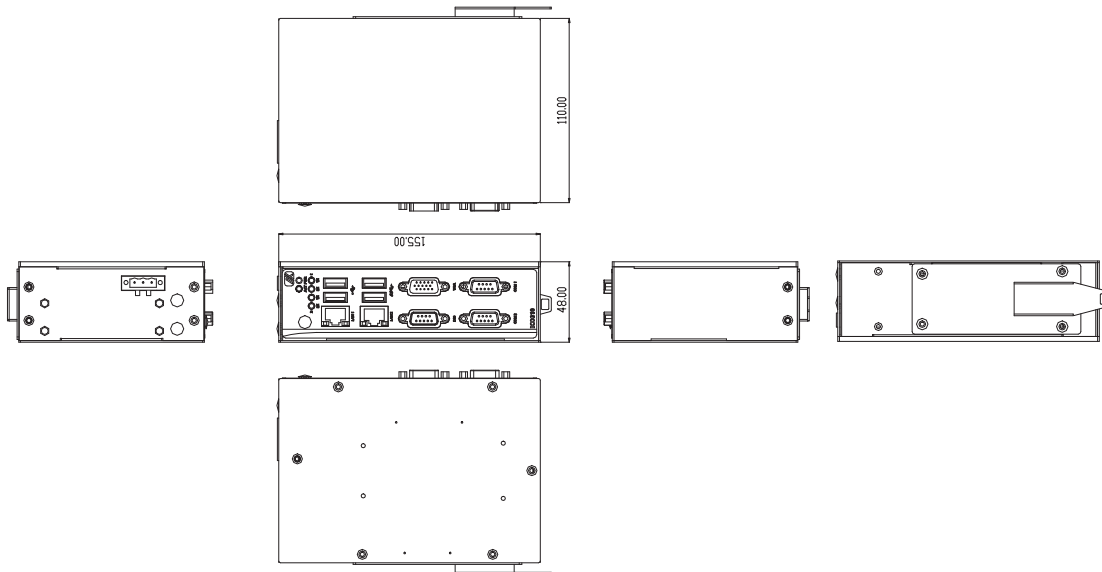
| | |
|--|--|
| IC0310-N3060-PB-DC (P/N: E22C310106) | Robust DIN-rail fanless embedded system with Intel® Celeron® processor N3060 (1.6GHz/DC), 2 COM, 2 LAN, and DIO (-20°C to +60°C with power button) |
| IC0310-N3160-PB-DC (P/N: E22C310104) | Robust DIN-rail fanless embedded system with Intel® Celeron® processor N3160 (1.6GHz/QC), 2 COM, 2 LAN, and DIO (-20°C to +60°C with power button) |
| IC0310-N3160-PB-PD-DC (P/N: E22C310105) | Robust DIN-rail fanless embedded system with Intel® Celeron® processor N3160 (1.6GHz/QC), 2 COM, 2 LAN, PoE PD, and DIO (-20°C to +60°C with power button) |

Optional

| | |
|---|--|
| 2.5" SATA SSD or HDD (with W.T. SSD or HDD) | |
| mSATA | 16GB to 512GB (with W.T. mSATA) |
| DDR3L SO-DIMM | 2GB to 8GB (with W.T. memory) |
| 8812C3000A0E | IC0300/310/320 wall mount bracket kit |
| 8816N3234A0E | 3G/GPS UC20G kit for tBOX (3G ANT) (E) |
| 8816N3235A0E | 3G/GPS UC20G kit for tBOX (3G/GPS ANT) (E) |
| 8812C3003A0E | SparkLAN WPEA-152GN Wi-Fi kit ICO SFP (E) |
| 8812C3004A0E | SparkLAN WPEA-251N Wi-Fi kit ICO SFP (E) |
| 82606200390E | LTE module SIERRA MC7304 kit for EU SFP |
| 826N3230060E | tBOX series Bointec CPE902A Wi-Fi SFP |

* Specifications and certifications may vary based on different requirements.

Dimensions



IC0320-83C

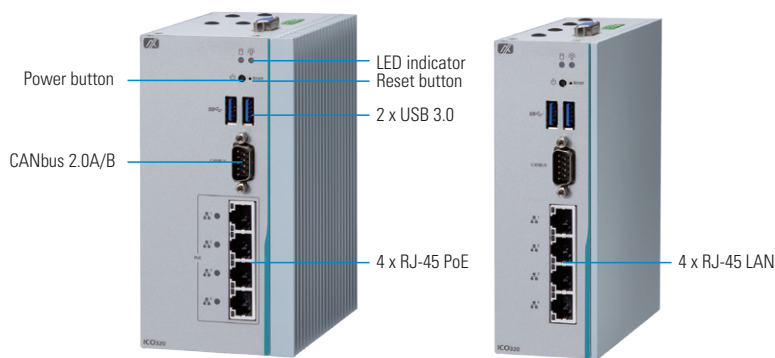
Robust DIN-rail Fanless Embedded System with Intel® Celeron® Processor N3350, COM, CAN, PoE LAN, and DIO

Features

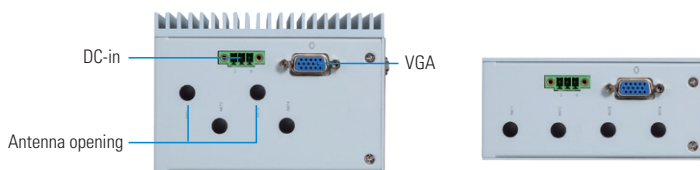
- Cost-effective with fanless and cableless design
- Intel® Celeron® processor N3350 processor, reliable F1 stepping version CPU
- 4 RJ-45 Gigabit PoE ports
- 8-bit programmable DIO for IoT gateway applications
- Wide operating temperature range from -40°C to +70°C
- 12 to 24 VDC wide range power input
- Supports SocketCAN
- AMS.AXView intelligent remote monitoring software for IIoT



▲ Bottom view



▲ Front view



▲ Top view (PoE version)



▲ Top view (LAN version)

Specifications

| | | | | | | | | | | | | | | | | | |
|---------------------|--|--------|--|---------|---------|-----|-------------|----------|--|-----|---|-----|--------------------------------|-----|--|--------|---------------------|
| Standard Color | Silver | | | | | | | | | | | | | | | | |
| Construction | Aluminum extrusion and heavy-duty steel, IP30 | | | | | | | | | | | | | | | | |
| CPU | Intel® Celeron® N3350 2C @1.1 GHz, TDP: 6W | | | | | | | | | | | | | | | | |
| Chipset | SoC integrated | | | | | | | | | | | | | | | | |
| System Memory | 1 x DDR3L-1866 SO-DIMM slot, up to 8GB | | | | | | | | | | | | | | | | |
| BIOS | AMI | | | | | | | | | | | | | | | | |
| TPM | TPM 2.0 | | | | | | | | | | | | | | | | |
| System I/O Outlet | <table border="0"> <tr> <td>Serial</td> <td>1 x DB9 serial console or RS-232/422/485</td> </tr> <tr> <td>Display</td> <td>1 x VGA</td> </tr> <tr> <td>USB</td> <td>2 x USB 3.0</td> </tr> <tr> <td>Ethernet</td> <td>4 x RJ-45 isolated* 10/100/1000 Mbps Ethernet (Intel® i211-AT) *isolation voltage: 1.5 kV</td> </tr> <tr> <td>PoE</td> <td>PoE power output max. 30W 802.3af class 2, 7.5W, max. 4 ports 802.3af class 3, 15.4W, max. 2 ports 802.3at class 4, 30W, max. 1 port</td> </tr> <tr> <td>DIO</td> <td>1 x DB9 8-bit programmable DIO</td> </tr> <tr> <td>CAN</td> <td>1 x DB9 CANBus 2.0 A/B, supports SocketCAN</td> </tr> <tr> <td>Others</td> <td>4 x Antenna opening</td> </tr> </table> | Serial | 1 x DB9 serial console or RS-232/422/485 | Display | 1 x VGA | USB | 2 x USB 3.0 | Ethernet | 4 x RJ-45 isolated* 10/100/1000 Mbps Ethernet (Intel® i211-AT) *isolation voltage: 1.5 kV | PoE | PoE power output max. 30W 802.3af class 2, 7.5W, max. 4 ports 802.3af class 3, 15.4W, max. 2 ports 802.3at class 4, 30W, max. 1 port | DIO | 1 x DB9 8-bit programmable DIO | CAN | 1 x DB9 CANBus 2.0 A/B, supports SocketCAN | Others | 4 x Antenna opening |
| Serial | 1 x DB9 serial console or RS-232/422/485 | | | | | | | | | | | | | | | | |
| Display | 1 x VGA | | | | | | | | | | | | | | | | |
| USB | 2 x USB 3.0 | | | | | | | | | | | | | | | | |
| Ethernet | 4 x RJ-45 isolated* 10/100/1000 Mbps Ethernet (Intel® i211-AT) *isolation voltage: 1.5 kV | | | | | | | | | | | | | | | | |
| PoE | PoE power output max. 30W 802.3af class 2, 7.5W, max. 4 ports 802.3af class 3, 15.4W, max. 2 ports 802.3at class 4, 30W, max. 1 port | | | | | | | | | | | | | | | | |
| DIO | 1 x DB9 8-bit programmable DIO | | | | | | | | | | | | | | | | |
| CAN | 1 x DB9 CANBus 2.0 A/B, supports SocketCAN | | | | | | | | | | | | | | | | |
| Others | 4 x Antenna opening | | | | | | | | | | | | | | | | |
| Expansion Interface | 1 x half-size Rev.1.2 PCI Express Mini Card slot: mSATA/USB/PCIe 1 x full-size Rev.1.2 PCI Express Mini Card slot: USB/PCIe with SIM socket | | | | | | | | | | | | | | | | |
| Storage | SATA Drive 1 x mSATA (occupied 1 x PCI Express Mini Card slot) 1 x Internal 2.5" SATA drive (9.5 mm height) | | | | | | | | | | | | | | | | |
| Watchdog Timer | 255 levels, 1 to 255 sec. | | | | | | | | | | | | | | | | |

| | | |
|--------------------------------------|--|---|
| Power | Power Supply | 1 x DC power input with terminal block |
| | Power | PoE SKU**: 12-24Vdc, 4.05-2.05A |
| | Consumption | LAN SKU**: 12-24Vdc, 1.6-0.81A |
| PoE (PSE, Power Sourcing Equipment)* | 4 x RJ-45 PoE, output max. 30W supports PoE & PoE+ | <ul style="list-style-type: none"> • PoE (802.3af 15.4W/port) • PoE+ (802.3at 30W/port) |
| System Indicator | 1 x LED indicator for SATA drive activity 1 x LED indicator for power | |
| Operating Temperature | -40°C to +70°C (-40°F to +158°F) with W.T. peripheral*** | |
| Humidity | 0% to 95%, non-condensing | |
| Vibration Endurance | 2 Gms with storage (5 to 500Hz, X/Y/Z direction; random, operating) | |
| Dimensions | PoE SKU**: 77 mm (3.03") (W) x 110 mm (4.33") (D) x 155 mm (6.1") (H) LAN SKU**: 48 mm (1.88") (W) x 110 mm (4.33") (D) x 155 mm (6.1") (H) | |
| Weight (net/gross) | PoE SKU**: 1.2 kg (2.2 lb)/1.70 kg (3.3 lb) LAN SKU**: 1.0 kg (2.2 lb)/1.50 kg (3.3 lb) | |
| Certifications | CE (Class A), FCC (Class A) compliant | |
| EMC | CE/FCC | EN 55032 (Class A), EN 55024, FCC part 15 B (Class A) |
| EOS Support | Windows® 10 IoT, Linux | |
| Software Support | AMS.AXView | |

* For PoE SKU

** See ordering info

*** Wide Temperature. All W.T. supported products have to be sorted by Axiomtek.

Ordering Information

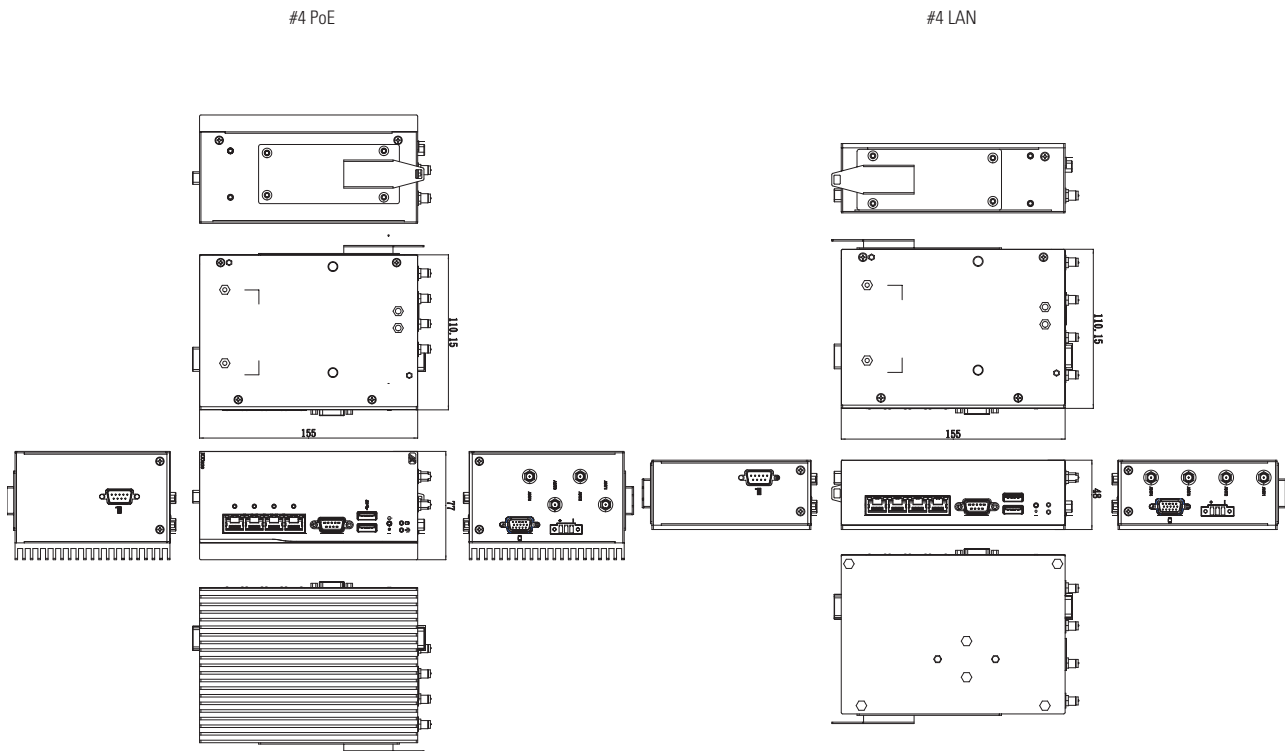
| Standard | |
|--|--|
| IC0320-83C-N3350-4POE-CAN-WT-DC (P/N: E22C320106) | Robust DIN-rail fanless embedded system with Intel® Celeron® processor N3350 (1.1GHz), 1 COM, 4 RJ-45, PoE, GbE LAN, 2 USB, VGA, CAN, operating temperature from -40°C to 70°C, TPM 2.0 reserved, and SocketCAN supported <i>PoE SKU</i> |
| IC0320-83C-N3350-4LAN-COM-CAN-WT-DC (P/N: E22C320107) | Robust DIN-rail fanless embedded system with Intel® Celeron® processor N3350 (1.1GHz), 1 COM, 4 RJ-45, GbE LAN, 2 USB, VGA, CAN, operating temperature from -40°C to 70°C, TPM 2.0 reserved, and SocketCAN supported <i>Non-PoE LAN SKU</i> |

* Specifications and certifications may vary based on different requirements.

| Optional | |
|--|--|
| Communication Modules | 8812C300GA0E 3G UC20GKit tBOX/ICO (20) (E) |
| | 8812C300HA0E 3G/GPS UC20GKit tBOX/ICO (20) (E) |
| | 8812C1200A0E AP12356 Wi-Fi kit for tBOX/ICO (E) |
| | 8812C1201A0E AP12356 WT Wi-Fi kit for tBOX/ICO (E) |
| | 8812C300IA0E LTE SIM7100JC kit for ICO (20) JPN SFP (E) |
| 8812C300EA0E LTE SIMCOM SIM7100C (TW) for ICO300 SFP (E) | 8812C300DA0E LTE SIMCOM SIM7100E (EU) for ICO300 SFP (E) |
| | AC to DC Adapter |

* Specifications and certifications may vary based on different requirements.

Dimensions

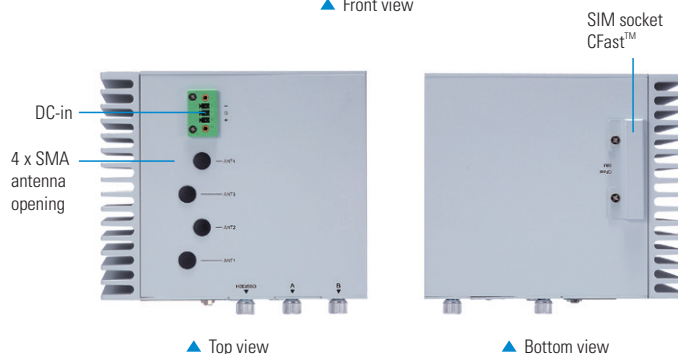
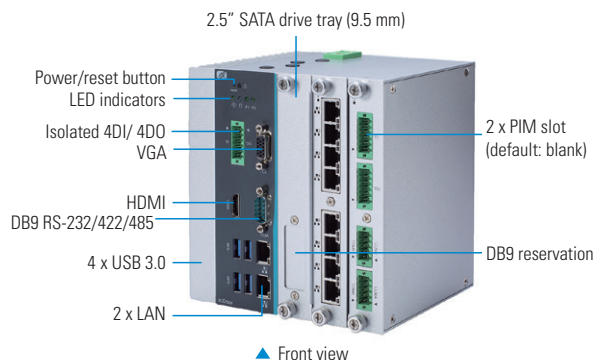


IC0500-518

Robust DIN-rail Fanless Embedded System with 7th Gen Intel® Core™ i7/i5/i3 or Celeron® Processor and Dual Modular I/O Expansion Design

Features

- 7th gen Intel® Core™ i7/i5/i3 or Celeron® processor (Kaby Lake-U)
- 2 PIM (Plug-in I/O Module) slots
- Fanless and compact design
- Wide operating temperature range from -40°C to +70°C
- 12 to 48 VDC wide range power input
- OVP, UVP, OCP, RPP power protection design
- 1 swappable 2.5" SATA drive tray



Specifications

| | | |
|-----------------------|---|--|
| Standard Color | Silver | |
| Construction | Aluminum extrusion and heavy-duty steel, IP40 | |
| CPU | Intel® Core™ i7-7600U 2C @ 2.8GHz Intel® Core™ i5-7300U 2C @ 2.6GHz Intel® Core™ i3-7100U 2C @ 2.4 GHz Intel® Celeron® 3965U 2C @ 2.2 GHz | |
| System Memory | 1 x DDR4-2133 SO-DIMM, up to 16GB | |
| Chipset | SoC integrated | |
| BIOS | AMI | |
| TPM | TPM 2.0 | |
| System I/O Outlets | Top Side | 1 x DC power input with terminal block 4 x Antenna opening |
| | Bottom Side | External SIM slot & CFast™ card |
| | Front Side | 1 x HDMI 2 x GbE LAN 4 x USB 3.0 1 x VGA 1 x DB9 RS-232/422/485 1 x Isolated DIO (4-in/4-out) 1 x 2.5" SATA drive tray 2 x PIM slot |
| Watchdog Timer | 255 levels, 1 to 255 sec. | |
| Storage | 1 x Swappable 2.5" SATA drive (9.5 mm height) ** DIN-rail mounting with SSD 1 x External CFast card | |
| Expansion Interface | 2 x Full-size PCI Express Mini Card slot 1 x External SIM card slot | |
| System Indicator | 1 x LED indicator for system power 1 x LED indicator for HDD activities 2 x Programmable | |
| Power Supply | 12 to 48 VDC, OVP, UVP, OCP, RPP power protection design | |
| Operating Temperature | -40°C to +70°C (-40°F to +158°F) with 2 PIM modules (PIM700 excluded) -40°C to +60°C (-40°F to +140°F) with 1 PIM700, 1 the other PIM module -40°C to +50°C (-40°F to +122°F) with 2 PIM700 | |
| Humidity | 10% to 95%, non-condensing | |

| | |
|-----------------------------------|---|
| Vibration Endurance (operational) | 3 Grms with SSD, DIN-rail/wall mounting (5 to 500Hz, X/Y/Z direction; random) |
| Weight (net/gross) | 2.2 kg (4.85 lb)/2.7 kg (5.95 lb) (PIM module excluded) |
| Certifications | CE (Class A), FCC, EN 50121-4 |
| Dimensions | 145 mm (5.70") (W) x 125 mm (4.92") (D) x 155 mm (6.10") (H) |
| Mounting | DIN-rail (standard) Wall mount (optional) |
| EOS Support | Windows® 10 IoT Linux support package |
| Software Support | AMS.AXView |

Ordering Information

| Standard | |
|--------------------|--|
| IC0500-518-Celeron | Robust DIN-rail fanless embedded system with Intel® Celeron® 3965U 2.2 GHz processor, 4 USB 3.0, 2 RJ-45 LAN, COM, DIO (4-in/4-out), 2.5" SATA tray, HDMI, and VGA |
| IC0500-518-i3 | Robust DIN-rail fanless embedded system with Intel® Core™ i3-7100U 2.4 GHz processor, 4 USB 3.0, 2 RJ-45 LAN, COM, DIO (4-in/4-out), 2.5" SATA tray, HDMI, and VGA |
| IC0500-518-i5 | Robust DIN-rail fanless embedded system with Intel® Core™ i5-7300U 2.6 GHz processor, 4 USB 3.0, 2 RJ-45 LAN, COM, DIO (4-in/4-out), 2.5" SATA tray, HDMI, and VGA |
| IC0500-518-i7 | Fanless embedded system with Intel® Core™ i7-7600U 2.8 GHz processor, 4 USB 3.0, 2 RJ-45 LAN, COM, DIO (4-in/4-out), 2.5" SATA tray, HDMI, and VGA |

Ordering Information

I/O Modules

PIM100 8 x isolated, 4-wire COM (RS-232/422/485)



PIM101 8 x isolated CANbus 2.0 A/B



PIM700 8 x RJ-45 Gb Ethernet



PIM900 4 x isolated, 4-wire COM (RS-232/422/485), and isolated 8-in/8-out DIO

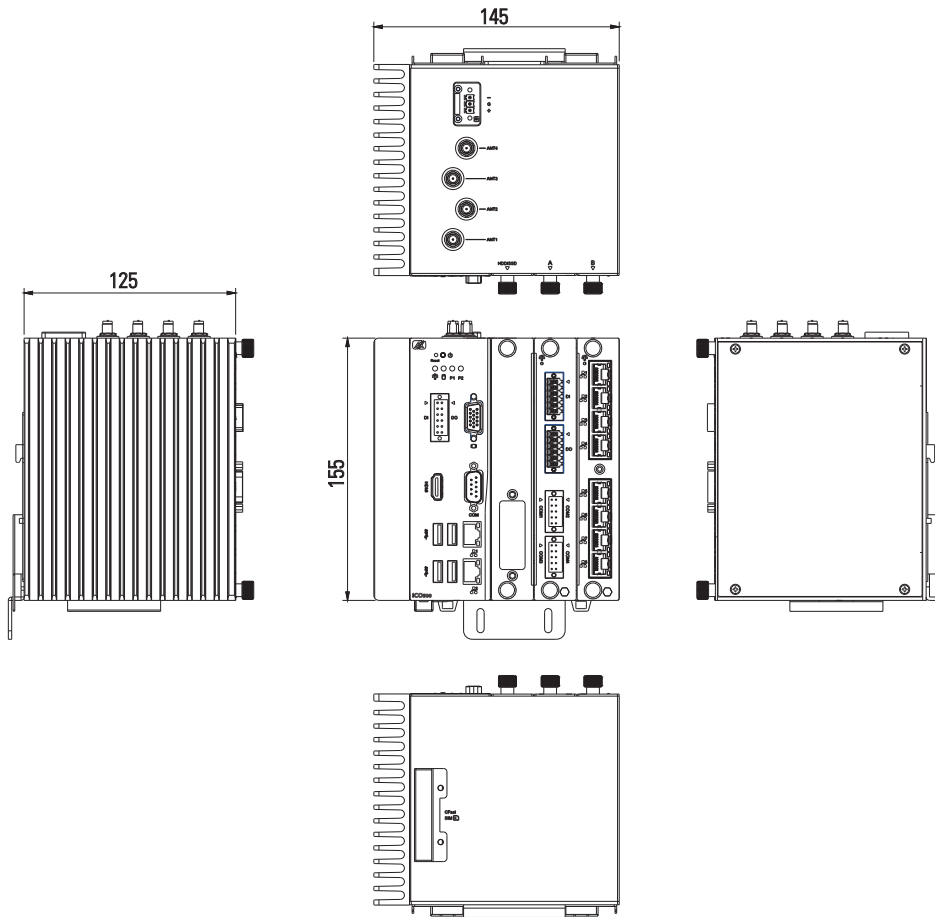


Optional

| | |
|---------------|---------------|
| 2.5" SATA SSD | 16GB or above |
| CFast™ | 16GB or above |
| DDR4 SO-DIMM | 4GB to 16GB |

* Specifications and certifications may vary based on different requirements.

Dimensions

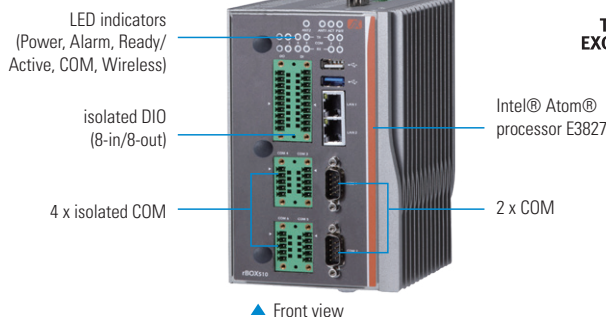


rBOX510-6COM(ATEX/CID2)

Robust DIN-rail Fanless Embedded System with Intel Atom® Processor E3827, Isolated COM, LAN, and DIO with ATEX/CID2 Certification

Features

- ATEX & Class I Division 2 (CID2) anti-explosion certification
- Fanless and cableless design
- Intel Atom® processor E3845 (1.91 GHz)/E3827 (1.75 GHz)
- Wide operating temperature range from -40°C to +70°C
- 4 isolated RS-232/422/485 and 2 RS-232/422/485
- 2 isolated 10/100/1000 Mbps Ethernet
- 2 watchdog timer
- RTC Battery function
- LED indicators
- One 2.5" SATA SSD and one CompactFlash™
- Power input range of 9V to 48V DC with terminal block
- AMS.AXView intelligent remote monitoring software for IIoT



Specifications

| | |
|-------------------|---|
| Standard Color | Sliver-black |
| Construction | Extruded aluminum and heavy-duty steel, IP30 |
| CPU | Intel Atom® processor E3845 4C@1.91G Hz, TDP: 10W (by request) Intel Atom® processor E3827 2C@1.75 GHz, TDP: 8W |
| System Board | CEM840 |
| System Memory | 1 x DDR3L-1333 SO-DIMM, 4GB onboard |
| BIOS | AMI UEFI BIOS |
| System I/O Outlet | Serial 2 x RS-232/422/485 4 x Isolated RS-232/422/485 Interface select by software or BIOS Supports Auto Flow Control in RS-485 mode ESD protection 15kV Magnetic isolation protection 2kV COM 1 & 2 speed up to 115.2kbps COM 3 to 6 serial port speed up to 921.6kbps |
| RTC | Battery onboard & Gold capacity onboard (1st backup battery when power shut-down) |
| USB | 1 x USB 3.0 1 x USB 2.0 USB power distribution control by software |
| Storage | 1 x Full-size mSATA (occupied 1 PCIe Mini Card slot, mSATA/wireless module either one) 1 x External CFTM (easy-to-use) 1 x 2.5" SATA SSD/HDD |
| LAN | 2 x 10/100/1000 Mbps (Intel® i210-IT) Magnetic isolation protection 1.5 kV |
| Display | 1 x VGA (DB15 connector) |
| DIO | N/A |
| CAN | N/A |
| Power Input | 1 x DC power input with terminal block |

| | | |
|-----------------------|---|--|
| System I/O Outlet | DIO | 1 isolated DIO (8-in/8-out) DI: Input Channels: 8 source type Input Voltage: 0 to 30VDC Digital input Digital Input levels for dry/wet contacts DO: Output Channels: 8 sink type Output Current: Max. 200mA per channel External Voltage: 10 to 30 VDC Open collector to 30V Optical isolation protection 3 KV |
| Expansion Interface | 1 x Full-size Rev.1.2 PCI Express Mini Card slot: mSATA/USB/PCIe 2 x Full-size Rev.1.2 PCI Express Mini Card slot: USB/PCIe with SIM socket | |
| Watchdog Timer | 255 levels, 1 to 255 sec. | |
| System Indicator | Power, Alarm, Ready/Active, COM, Wireless | |
| Power Supply | Power Input Range : 12 to 48 VDC Power Input Rating : 12 to 48 VDC, 1.36 to 0.45A Power Protection : DC version, OVP, UVP, Reserve Protection | |
| Operating Temperature | -40°C to +70°C (-40°F to +158°F) | |
| Humidity | 10% to 95% | |
| Vibration Endurance | 5 Gms (10 to 150Hz, amplitude 0.35 mm; operation/storage/transport) | |
| Weight (net/gross) | 1.5 kg (3.3 lb)/1.88 kg (4.14 lb) | |
| Dimensions | 100.6 mm (3.96") (W) x 110 mm (4.33") (D) x 135 mm (5.31") (H) | |
| EOS Support | Windows® 7 Embedded, Windows® 8 Embedded, Linux support package | |
| Software Support | AMS.AXView | |

* W.T.: Wide Temperature. All W.T. supported products have to be sorted by Axiomtek.

Specifications

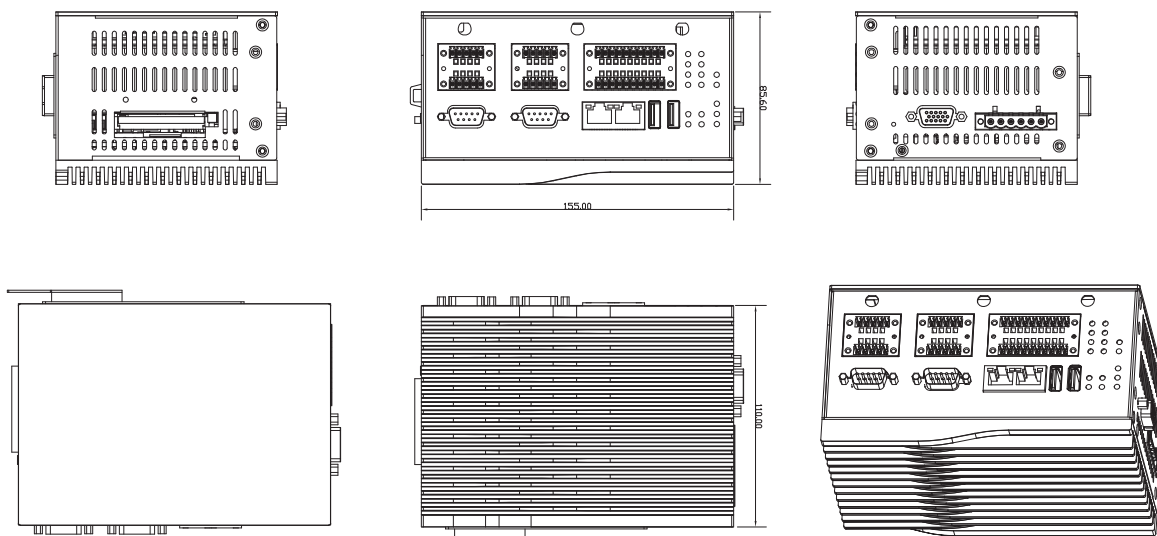
| | |
|-------------------------------|--|
| ISO | Manufactured in an ISO 9001 facility |
| Anti-Explosive | ATEX & Class I Division 2 (CID2) Anti-Explosive Type "nA" Zone 2 Group II & class I, Division 2 Certification |
| Safety | UL 60950-1 Heavy Industrial CE, including: EN 60950-1, IEC 60950-1 |
| EMI | FCC Part 18 Heavy Industrial CE, including: EN 61000-6-4, EN 61000-3-2, EN 61000-3-3 |
| EMS | Heavy Industrial CE, including: EN 61000-6-2 EN 61000-4-2 (ESD standards) *Contact: +/- 6 kV; criteria B *Air: +/- 8 kV; criteria B EN 61000-4-3 (radiated RFI standards) *10V/m, 80 to 1000 MHz; 80% AM criteria A *1400 to 2000 MHz, 3 V/m, 80% AM (1 kHz) *2000 to 2700 MHz, 1 V/m, 80% AM (1 kHz) EN 61000-4-4 (burst standards) *Signal ports: +/- 2 kV; criteria B *DC power ports: +/- 2 kV; criteria B EN 61000-4-5 (surge standards) *Signal ports: +/- 1 kV; line-to-line; criteria B *DC power ports: +/- 0.5 kV; line-to-earth; criteria B EN 61000-4-6 (induced RFI standards) *Signal ports: 10 Vrms @ 0.15 to 80 MHz; 80% AM criteria A *DC power ports: 10 Vrms @ 0.15 to 80 MHz; 80% AM criteria A EN 61000-4-8 (magnetic field standards) *30 A/m @ 50, 60 Hz; criteria A |
| Environmental Test Compliance | IEC 60068-2-6 Fc (vibration resistance) 5 g @ 10 to 150 Hz, amplitude 0.35 mm (operation/storage/transport) IEC 60068-2-27 Ea (shock) 25 g @ 11 ms (half-sine shock pulse; operation); 50 g @ 11 ms (half-sine shock pulse; storage/transport) IEC 60068-2-32 Ed (free fall) 1 M (3.281ft) |

Ordering Information

| Standard | |
|--|--|
| rBOX510-6COM-FL-DC (ATEX/CID2) (P/N: E26M510101) | Robust ATEX/CID2 DIN-rail fanless embedded system with Intel Atom® processor E3827 1.75 GHz dual core, DDR3L 4GB onboard, and 6 COM (-40°C to +70°C) |
| rBOX510-E3845-6COM-FL-DC (CID2) (P/N: by request) | Robust DIN-rail fanless embedded system with Intel Atom® processor E3845 (1.91 GHz) quad core and 6 COM ports (-40°C to +70°C) |
| rBOX510-E3845-6COM-FL-DC (ATEX, by request) | Robust DIN-rail fanless embedded system with Intel Atom® processor E3845 (1.91 GHz) quad core and 6 COM ports (-40°C to +70°C) |
| Optional | |
| CompactFlash™ | 8 GB or above (with W.T. CF) |
| 2.5" SATA SSD | |
| mSATA | |
| Wall mount kit | |

* Specifications and certifications may vary based on different requirements.

Dimensions



Agent200-FL-DC

Robust RISC-based DIN-rail Fanless Embedded System with i.MX 6UL Processor, 1 COM, 1 LAN, DIO (4-in/4-out), and CANBus

Features

- RISC-based (i.MX 6UltraLite) processor 528 MHz
- 256MB DDR3L SDRAM onboard
- 4GB eMMC flash onboard
- 2 PCI Express Mini Card slots (Wi-Fi or 3G/4G)
- 4 digital inputs and 4 digital outputs
- Power input range of 9 to 48 VDC with terminal block
- Embedded Linux (Yocto) operating system
- Fanless and compact design
- Wide operating temperature range from -40°C to +70°C



Specifications

| | | |
|-------------------|---|---|
| Construction | Extruded aluminum and heavy-duty steel, IP20 | |
| CPU | NXP i.MX 6UL processor, ARM® Cortex®-A7 @ 528 MHz | |
| System Memory | 1 x DDR3L-1600 onboard, 256 MB | |
| System I/O Outlet | Serial Port | 1 x RS-232/422/485 |
| | LAN | 1 x 10/100 Mbps Ethernet Magnetic isolation protection 1.5KV |
| | USB | 1 x USB 2.0 |
| | DIO | 1 x DIO (4-in/4-out) |
| | | DI: Wet/Dry |
| | | DO: Wet |
| | | DI: |
| DO: | Output channels: 4, sink type Output current: max. 200 mA per channel On-state voltage: 24 VDC nominal, open collector to 30V | |
| CANBus | 1 x CANBus | |
| Console Port | Yes, for user setting with debug | |
| EEPROM | 1 x EEPROM (2 Kb) | |
| Wireless | 2 x PCI Express Mini Card slot (USB signal only) | |
| | 1 x SIM card socket | |

| | |
|-----------------------|---|
| Watchdog Timer | WDT 1: 0.5 to 128 sec. with a time resolution of 0.5 sec. |
| LED | 1 x LED for system status |
| | 1 x LED for USB power status |
| | 1 x LED for COM/Console mode |
| | 2 x LED for TX/RX status |
| | 5 x LED (programming by client) |
| Storage | 1 x eMMC 4GB flash onboard |
| | 1 x Micro SD card slot |
| Power Supply | 9 to 48 VDC power input range |
| Operating Temperature | -40°C to +70°C (-40°F to +158°F) |
| Storage Temperature | -45°C to +85°C (-49°F to +185°F) |
| Humidity | 10% to 95% |
| Vibration Endurance | 2 Gms @ (10 to 150Hz random; operation) |
| Dimensions | 31 mm (1.22") (W) x 100 mm (3.94") (D) x 125 mm (4.92") (H) |
| Weight (net/gross) | 0.3 kg (0.66 lb)/0.44 kg (0.97 lb) |
| Installation | DIN-rail, wall mount |
| OS Support | Yocto Sumo |
| Certifications | CE, FCC |

Ordering Information

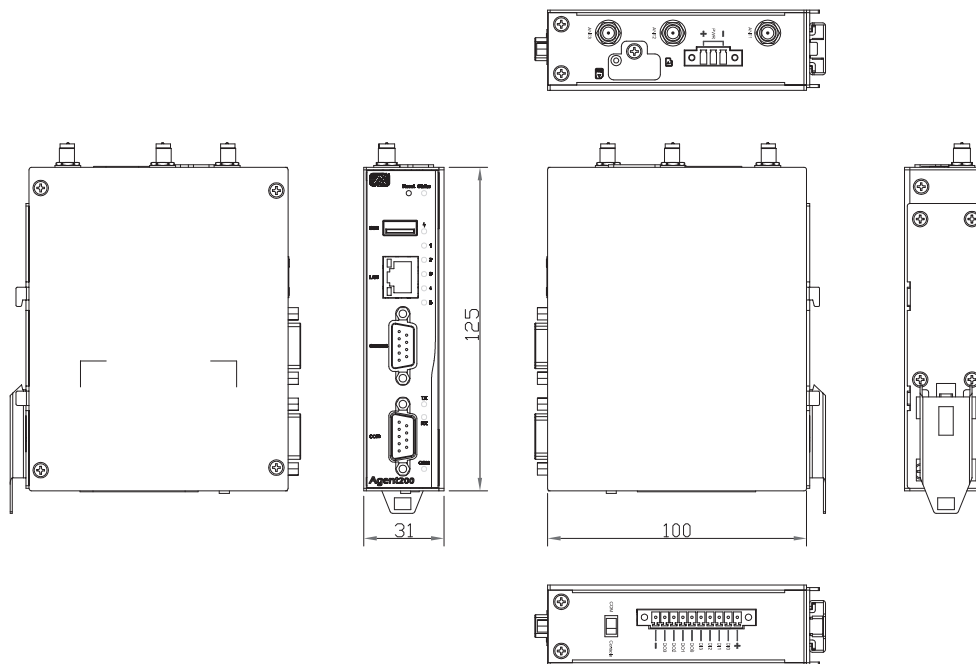
Standard

| | |
|--------------------------------------|--|
| Agent200-FL-DC (P/N: E278200100) | Robust RISC-based DIN-rail Fanless Embedded System with i.MX 6UL Processor, 1 COM, 1 LAN, DIO (4-in/4-out), and CANbus |
|--------------------------------------|--|

Optional

| |
|--------------------------------|
| Wall mount kit |
| Wireless (3G/GPS/Wi-Fi) module |

Dimensions



IRU151

Robust RISC-based DIN-rail Fanless Embedded System with i.MX 6UL Processor, COM, LAN, DIO (2-in/2-out), 4 AI Channels (16-bit, 100 S/s), and 2 PCIe Mini Card Slots

Features

- RISC-based (i.MX 6UltraLite) processor 528 MHz
- 512MB DDR3 SDRAM onboard
- 8GB eMMC flash onboard
- 2 PCI Express Mini Card slots (Wi-Fi, 3G/4G or LoRa)
- 4 isolated analog input channels (16-bit, 100 S/s)
- 1 isolated COM port
- 1 isolated DIO (2-in/2-out)
- Embedded Linux operating system (Yocto)
- Wide operating temperature range from -40°C to +70°C
- Supports LabVIEW versions later than 2016
- Supports OPC UA



Introduction

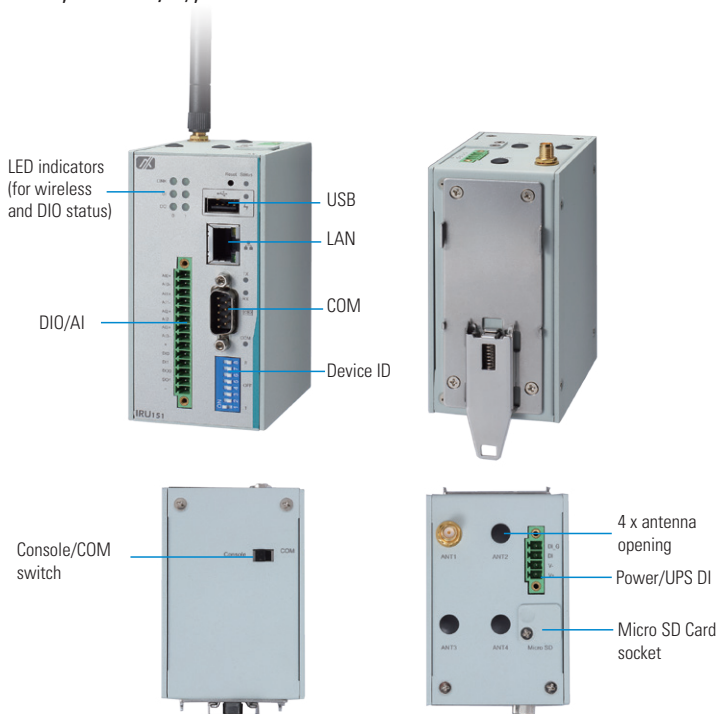
The IRU151 DIN-rail fanless embedded system utilizes a low power RISC-based (i.MX6 UL) processor, one RS-232/422/485 serial port, one LAN, two digital input channels, two digital output channels, four analog input channels, designed to withstand temperatures ranging from -40°C to +70°C for applications in extreme operating environment and industrial automation.

The IRU151 is an Ethernet-based gateway supporting two wireless sockets (Wi-Fi, 3G/4G or LoRa), acting as a simple transparent interface between Ethernet-based network and Modbus devices such as meters, monitors, protective relays, trip units, motor controls, and other devices that communicate using Modbus protocol.

Also, the IRU151 can record digital/analog of devices and control digital devices. It can offer a simple, scalable web-based monitoring solution providing real-time data views, on-board data logging/trending, and simple control over Modbus devices. Embedded math function such as RMS and FFT are used to make advanced diagrams. The ready-to-run IRU151 is specially designed for remote control/monitoring management applications ideal in a unmanned control room, an industrial machine, an automatic parking lot, a traffic cabinet, just to name a few.

Specifications

| | | |
|-------------------|---|---|
| Construction | Extruded aluminum and heavy-duty steel, IP40 | |
| CPU | NXP i.MX 6UL processor, ARM® Cortex®-A7 @ 528 MHz | |
| System Memory | 1 x DDR3-1600 onboard, 512 MB | |
| System I/O Outlet | Serial Port | 1 x RS-232/422/485 Magnetic isolation protection 2KV |
| | LAN | 1 x 10/100 Mbps Ethernet Magnetic isolation protection 1.5KV |
| Analog Input | 4 x AI (Isolation) channels: 4 | Input type differential Input range: (software programmable) Bipolar : ±5V, ±10V Resolution: 16-bit Sampling rate : 100 S/s Overvoltage protection : ±55V Trigger source : analog or digital (software selectable) |
| | USB | 1 x USB 2.0 (type A) |
| DIO | 1 x DIO (2-in/2-out) with isolation 2KV DI: wet/dry DO: wet | |



| | | |
|-----------------------|--|--|
| System I/O Outlet | DIO | DI: Input channels: 2 source type Input voltage: 0 to 30 VDC digital input levels for dry contacts: -Logic level 0: close to GND -Logic level 1: open Digital input levels for wet contacts: -Logic level 0: +10V to +24V (DI to COM-) -Logic level 1: +3V max. DO: Output channels: 2, sink type Output current: max. 200 mA per channel On-state voltage: 24VDC nominal, open collector to 30V Optical isolation protection 2 KV |
| | Console Port | Yes For user setting with debug |
| EEPROM | 1 x EEPROM (2 Kb) | |
| Device ID | ID setting 0 to 255 | |
| Wireless | 2 x PCI Express Mini Card slot (USB signal only) 1 x SIM card socket | |
| Watchdog Timer | WDT 1: 0.5 to 128 sec. with a time resolution of 0.5 sec. | |
| RTC | Yes (RTC battery on board) | |
| LEDs | 2 x LED for dual wireless status 2 x LED for DI status 2 x LED for DO status | |
| Storage | 1 x eMMC 8GB flash onboard | |
| Power Supply | 9 to 48 VDC | |
| Operating Temperature | -40°C to +70°C (-40°F to +158°F) | |
| Storage Temperature | -45°C to +85°C (-49°F to +185°F) | |
| Humidity | 10% to 95% | |
| Vibration Endurance | 2 Gms @ (10 to 150Hz sine wave; operation) | |
| Dimensions | 55 mm (2.16") (W) x 82 (3.23") mm (D) x 108 (4.25") (H) | |
| Weight (net/gross) | 0.32 kg (0.71 lb)/0.53 kg (1.17 lb) | |
| Installation | DIN-rail | |
| Certifications | FCC part 15, Heavy Industrial CE | |

Wireless Specifications

| | | |
|--------------|--|--|
| 4G module | 4G Mini card LTE SIERRA AIRPRIME MC7304 (optional) | Standards: LTE Cat.3 Interface: USB Radio Band/ Frequencies (MHz): 850(5) / 900(8) / 1800(3) / 1900(2) @GSM 850(5) / 900(8) / 1900(2) / 2100(1) @UMTS 800(20) / 900(8) / 1800(3) / 2100(1) / 2600(7) @FDD LTE Region: Global |
| Wi-Fi module | Wi-Fi Mini card Sparklan WPEQ-160ACN (optional) | Qualcomm Atheros QCA9377-7 Antenna:2xUFL connectors, 1T1R Operating Frequency: 802.11 ac/a/b/g/n ISM Band 2.412 GHz to 2.472 GHz 5.180 MHz to 5.825 MHz Interface: USB Region: Global |
| 3G module | 3G Mini card Quectel UC20G (optional) | UMTS:800/ 850/ 900/ 1900/ 2100MHz GSM/EDGE 850/ 900/1800/ 1900MHz Region: Global |
| 4G module | 4G Mini card LTE RYR2800 (uBlox R280) (optional) | Standards: LTE Cat.1 Interface: USB Radio Band/ Frequencies (MHz): LTE bands1, 3,5,7,8,28) Region: TW, AU |
| | 4G Mini card LTE RYR2110 (uBlox R211) (optional) | Standards: LTE Cat.1 Interface: USB Radio Band/ Frequencies (MHz): LTE bands1, 3,7,20) Region: EU |

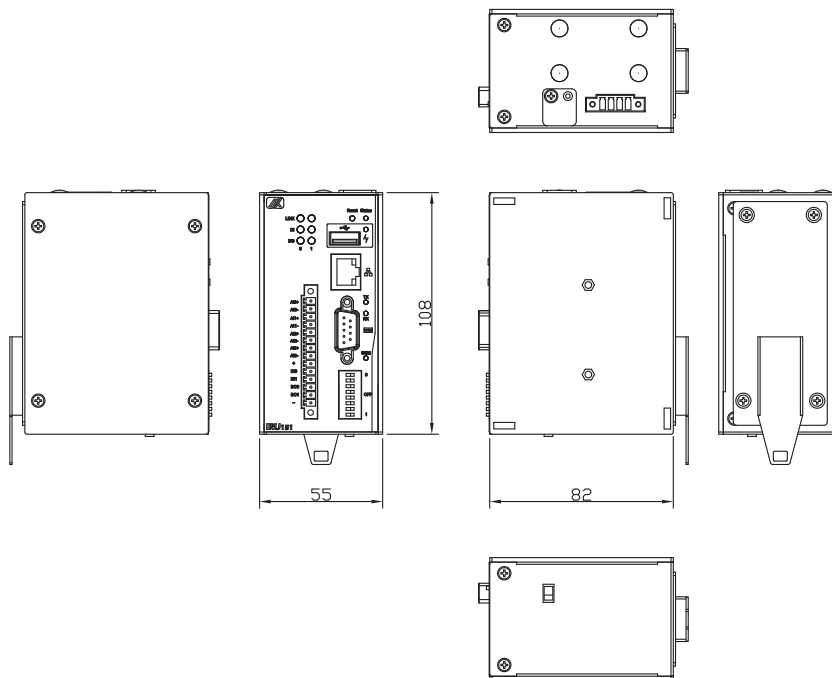
Software Specifications

| | |
|-----------------------|--|
| OS | Linux Kernel 3.14.52 Yocto FIDO 1.8 |
| Protocol Types | ICMP, TCP/IP, UDP, ARP, Telnet, SNMP, HTTP, HTTPS, SSL, SMTP, FTP, TFTP, NTP, DNS, PPP, PPPoE, DHCP, NFS |
| Software Types | Serial Server Supports TCP Server/TCP Client/UDP/Pair/VC Supports IP filter Supports 32 TCP connections |
| | Modbus Supports Modbus TCP/Modbus RTU/Modbus ASCII Supports TCP for multiple COM port |
| Setting Configuration | SNMP Supports V1/V2C/V3 Supports SNMP Private MIB Supports read/write |
| | http /https Supports SSL Supports import/export Supports FW update |
| | Remote Manager Remote Log Email SNMP Supports Trap |
| Alert Function | Yes |

Ordering Information

| | |
|-----------------------------------|--|
| Standard | |
| IRU151-FL-DC (P/N: E271151100) | Robust DIN-rail fanless embedded system with i.MX 6UL processor, COM, LAN, DIO (2-in/2-out), 4 AI (16-bit,100 S/s), and 2 PCIe Mini Card Slots (-40°C ~ +70°C) |
| Optional | |
| Wireless (3G/GPS or Wi-Fi) module | |

Dimensions

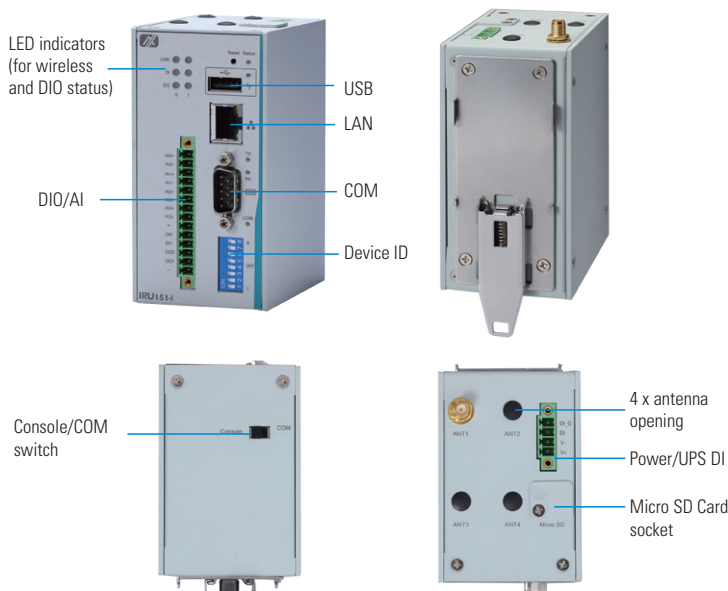


IRU151-I

Robust RISC-based DIN-rail Fanless Embedded System with i.MX 6UL Processor, DIO (2-in/2-out), 4 AI Channels (16-bit, 100 S/s, ±20mA), and 2 PCIe Mini Card Slots

Features

- RISC-based (i.MX 6Ultralite) processor 528 MHz
- 512MB DDR3 SDRAM onboard
- 8GB eMMC flash onboard
- 2 PCI Express Mini Card slots (Wi-Fi, 3G/4G or LoRa)
- 4 isolated analog input channels (16-bit, 100 S/s, ±20mA)
- 1 isolated COM port
- 1 isolated DIO (2-in/2-out)
- Embedded Linux operating system (Yocto)
- Wide operating temperature range from -40°C to +70°C
- Supports LabVIEW versions later than 2016
- Supports OPC UA



Introduction

The IRU151-I DIN-rail fanless embedded system utilizes a low power RISC-based (i.MX6 UL) processor, one RS-232/422/485 serial port, one LAN, two digital input channels, two digital output channels, four analog input channels for measuring current, designed to withstand temperatures ranging from -40°C to +70°C for applications in extreme operating environment and industrial automation.

The IRU151-I is an Ethernet-based gateway supporting two wireless sockets (Wi-Fi, 3G/4G or LoRa), acting as a simple transparent interface between Ethernet-based network and Modbus devices such as meters, monitors, protective relays, trip units, motor controls and other devices that communicate using Modbus protocol.

Also, the IRU151-I can record digital/analog of devices and control digital devices. It can offer a simple, scalable web-based monitoring solution providing real-time data views, on-board data logging/trending, and simple control over Modbus devices. Embedded math function such as RMS and FFT are used to make advanced diagrams. The ready-to-run IRU151-I is specially designed for remote control/monitoring management applications ideal in a unmanned control room, an industrial machine, an automatic parking lot, a traffic cabinet, just to name a few

Specifications

| | | |
|-------------------|--|---|
| Construction | Extruded aluminum and heavy-duty steel, IP40 | |
| CPU | NXP i.MX 6UL processor, ARM® Cortex®-A7 @ 528 MHz | |
| System Memory | 1 x DDR3-1600 onboard, 512 MB | |
| System I/O Outlet | Serial Port | 1 x RS-232/422/485 Magnetic isolation protection 2KV |
| | LAN | 1 x 10/100 Mbps Ethernet Magnetic isolation protection 1.5KV |
| Analog Input | 4 x AI (isolation) channels: 4 (differential) | |
| | Input impedance: 249Ω | |
| | Input range: ±20mA | |
| | Resolution: 16-bit Sampling rate : 100 S/s Overvoltage protection : ±55V Trigger source : analog or digital (software selectable) | |
| USB | 1 x USB 2.0 (type A) | |
| DIO | 1 x DIO (2-in/2-out) with isolation 2KV DI: wet/dry DO: wet | |

| | | |
|-----------------------|--|--|
| System I/O Outlet | DIO | DI: Input channels: 2 source type Input voltage: 0 to 30 VDC digital input levels for dry contacts: -Logic level 0: close to GND -Logic level 1: open Digital input levels for wet contacts: -Logic level 0: +10V to +24V (DI to COM-) -Logic level 1: +3V max. DO: Output channels: 2, sink type Output current: max. 200 mA per channel On-state voltage: 24VDC nominal, open collector to 30V Optical isolation protection 2 KV |
| | Console Port | Yes For user setting with debug |
| | EEPROM | 1 x EEPROM (2 Kb) |
| | Device ID | ID setting 0 to 255 |
| Wireless | 2 x PCI Express Mini Card slot (USB signal only) 1 x SIM card socket | |
| | Watchdog Timer | 0.5 to 128 sec. with a time resolution of 0.5 sec |
| RTC | Yes (RTC battery on board) | |
| LEDs | 2 x LED for dual wireless status 2 x LED for DI status 2 x LED for DO status | |
| Storage | 1 x eMMC 8GB flash onboard | |
| Power Supply | 9 to 48 VDC | |
| Operating Temperature | -40°C to +70°C (-40°F to +158°F) | |
| Storage Temperature | -45°C to +85°C (-49°F to +185°F) | |
| Humidity | 10% to 95% | |
| Vibration Endurance | 2 Gms @ (10 to 150Hz sine wave; operation) | |
| Dimensions | 55 mm (2.16") (W) x 82 (3.23") mm (D) x 108 (4.25") (H) | |
| Weight (net/gross) | 0.32 kg (0.71 lb)/0.53 kg (1.17 lb) | |
| Installation | DIN-rail | |
| Certifications | FCC part 15, Heavy Industrial CE | |

Wireless Specifications

| | | |
|--------------|--|--|
| 4G module | 4G Mini card LTE SIERRA AIRPRIME MC7304 (optional) | Standards: LTE Cat.3 Interface: USB Radio Band/ Frequencies (MHz): 850(5) / 900(8) / 1800(3) / 1900(2) @GSM 850(5) / 900(8) / 1900(2) / 2100(1) @UMTS 800(20) / 900(8) / 1800(3) / 2100(1) / 2600(7) @FDD LTE Region: Global |
| Wi-Fi module | Wi-Fi Mini card Sparklan WPEQ-160ACN (optional) | Qualcomm Atheros QCA9377-7 Antenna: 2 x UFL connectors, 1T1R Operating Frequency: 802.11 ac/a/b/g/n ISM Band 2.412 GHz to 2.472 GHz 5.180 MHz to 5.825 MHz Interface: USB Region: Global |
| 3G module | 3G Mini card Quectel UC20G (optional) | UMTS:800/ 850/ 900/ 1900/ 2100MHz GSM/EDGE 850/ 900/1800/ 1900MHz Region: Global |
| 4G module | 4G Mini card LTE RYR2800 (uBlox R280) (optional) | Standards: LTE Cat.1 Interface: USB Radio Band/ Frequencies (MHz): LTE bands1, 3,5,7,8,28) Region: TW, AU |
| | 4G Mini card LTE RYR2110 (uBlox R211) (optional) | Standards: LTE Cat.1 Interface: USB Radio Band/ Frequencies (MHz): LTE bands1, 3,7,20) Region: EU |

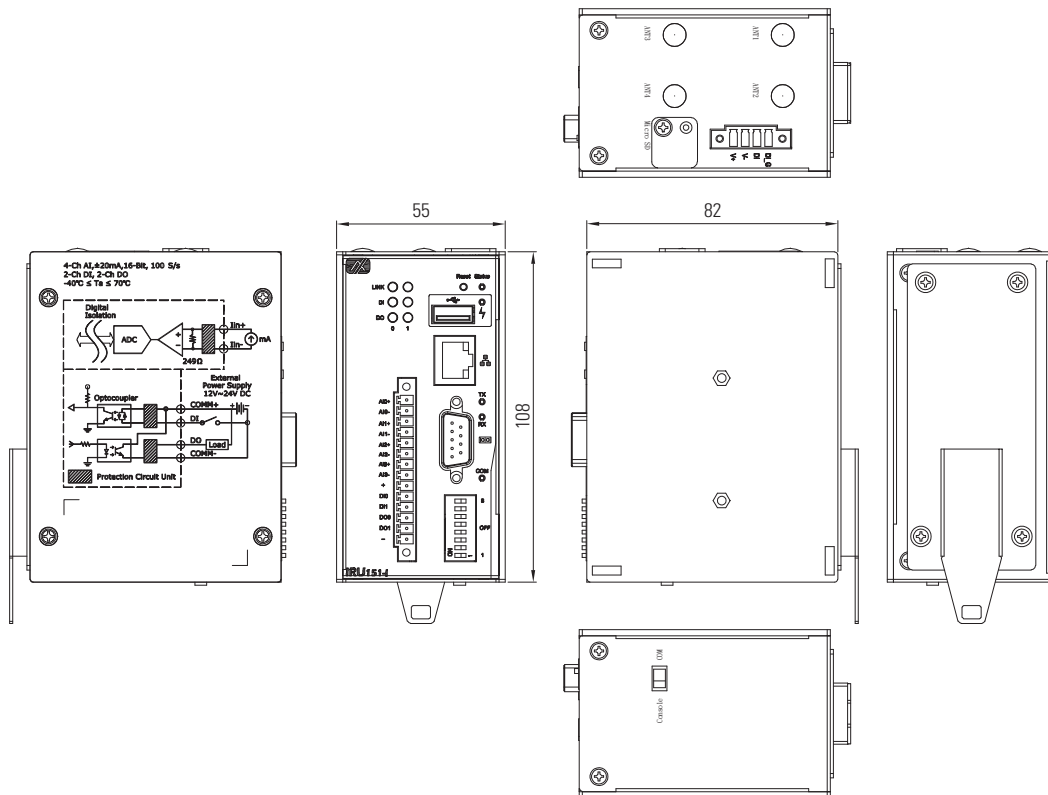
Software Specifications

| | |
|-----------------------|--|
| OS | Linux Kernel 3.14.52 Yocto FIDO 1.8 |
| Protocol Types | ICMP, TCP/IP, UDP, ARP, Telnet, SNMP, HTTP, HTTPS, SSL, SMTP, FTP, TFTP, NTP, DNS, PPP, PPPoE, DHCP, NFS |
| Software Types | Serial Server Supports TCP Server/TCP Client/UDP/Pair/VC Supports IP filter Supports 32 TCP connections |
| | Modbus Supports Modbus TCP/Modbus RTU/Modbus ASCII Supports TCP for multiple COM port |
| Setting Configuration | SNMP Supports V1/V2C/V3 Supports SNMP Private MIB Supports read/write |
| | http /https Supports SSL Supports import/export Supports FW update |
| | Remote Manager Remote Log Email SNMP Supports Trap |
| Alert Function | Yes |

Ordering Information

| | |
|-----------------------------------|--|
| Standard | |
| IRU151-I-FL-DC (P/N: E271151101) | Robust DIN-rail fanless embedded system with i.MX 6UL processor, COM, LAN, DIO (2-in/2-out), 4 AI (16-bit,100 S/s, ±20mA), and 2 PCI Express Mini Card slot (-40°C to +70°C) |
| Optional | |
| Wireless (3G/GPS or Wi-Fi) module | |

Dimensions

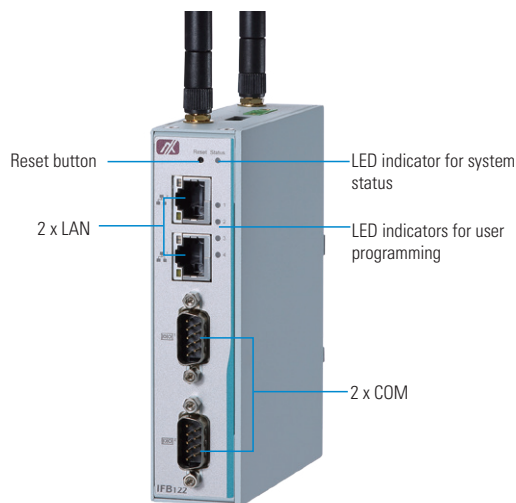


IFB122

Robust RISC-based DIN-rail Fanless Embedded System with i.MX 6UL Processor, 2 COM, 2 LAN, and DIO (2-in/1-out)

Features

- RISC-based (i.MX 6UltraLite) processor 528 MHz
- 256MB DDR3 SDRAM onboard
- 8GB eMMC flash onboard
- 1 PCI Express Mini Card slot (Wi-Fi or 3G/4G)
- 2 digital inputs and 1 digital output
- Power input range of 9V to 48V DC with terminal block
- Embedded Linux operating system (Yocto)
- Fanless and compact design
- Wide operating temperature range from -40°C to +70°C



▲ Front view



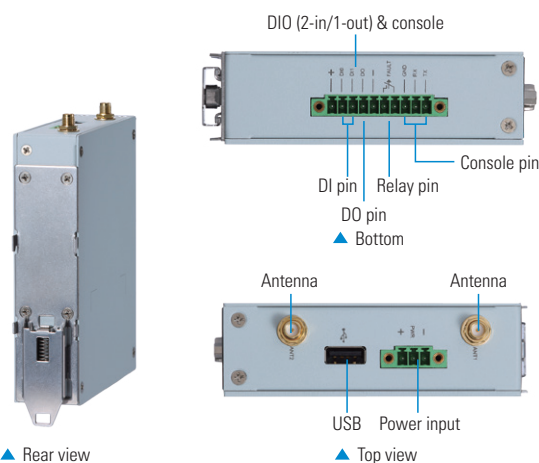
Introduction

The IFB122 cost-effective DIN-rail fanless embedded system utilizes the low power RISC-based (i.MX6UL) processor and is designed to withstand temperatures ranging from -40°C to +70°C for using in extreme operating environment and industrial automation applications.

The IFB122 features two RS-232/422/485 serial ports, dual LANs, two digital input channels, one digital output channel, LED for user programming and one eMMC onboard 4 GB. Its vertical DIN-rail form factor makes it easy to install the system in a small cabinet. The ready-to-run IFB122 is specially designed for remote control/monitoring management applications like unmanned control room, industrial machine, automatic parking lot, traffic cabinet, and more.

Specifications

| | | | |
|-------------------|---|--|--|
| Construction | Extruded aluminum and heavy-duty steel, IP40 | | |
| CPU | NXP i.MX 6UL processor, ARM® Cortex®-A7 @ 528 Mhz | | |
| System Memory | 1 x DDR3-1600 onboard, 256 MB | | |
| System I/O Outlet | Serial Port | 2 x RS-232/422/485 | |
| | LAN | 2 x 10/100 Mbps Ethernet Magnetic isolation protection 1.5KV | |
| | Relay | 1 x Relay | |
| | USB | 1 x USB 2.0 | |
| | DIO | 1 x DIO (2-in/1-out) DI: Wet DO: Wet DI: Digital input levels for wet contacts: -Logic level 0: Close to GND -Logic level 1: +0.7 to +24 V max. DO: Output channels: 1, sink type Output current: max. 200 mA per channel On-state voltage: 24 VDC nominal, open | |
| | Console Port | Yes For user setting with debug | |
| | RTC | Battery onboard Provides power for the internal real time clock & calendar | |
| | EEPROM | 1 x EEPROM (2 Kb) | |
| | Wireless | 1 x PCI Express Mini Card slot (USB signal only) | |
| | | 1 x SIM card socket | |



| | |
|-----------------------|---|
| Watchdog Timer | WDT 1: 0.5 to 128 sec. with a time resolution of 0.5 sec. |
| LEDs | 1 x LED for power status 1 x LED for reset status 4 x LED (programming by client) |
| Storage | 1 x eMMC 8GB flash onboard |
| Power Supply | 9 to 48 VDC power input range |
| Operating Temperature | -40°C to +70°C (-40°F to +158°F) |
| Storage Temperature | -45°C to +85°C (-49°F to +185°F) |
| Humidity | 10% to 95% |
| Vibration Endurance | 5 Gms @ (10 to 150Hz random; operation) |
| Dimensions | 31 mm (1.22") (W) x 100 mm (3.94") (D) x 125 mm (4.92") (H) |
| Weight (net/gross) | 0.3 kg (0.66 lb)/0.44 kg (0.97 lb) |
| Installation | DIN-rail, wall mount |
| OS Linux | OS : Yocto 1.8.1 (Fido) Kernel: 3.14.52 |
| Certifications | FCC part 15, Heavy Industrial CE |

Ordering Information

Standard

| | |
|-----------------------------------|--|
| IFB122-FL-DC (P/N: E26V122100) | Robust DIN-rail fanless embedded system with i.MX 6UL processor, 2 COM, 2 LAN, and DIO (2-in/1-out) (-40°C to +70°C) |
|-----------------------------------|--|

Optional

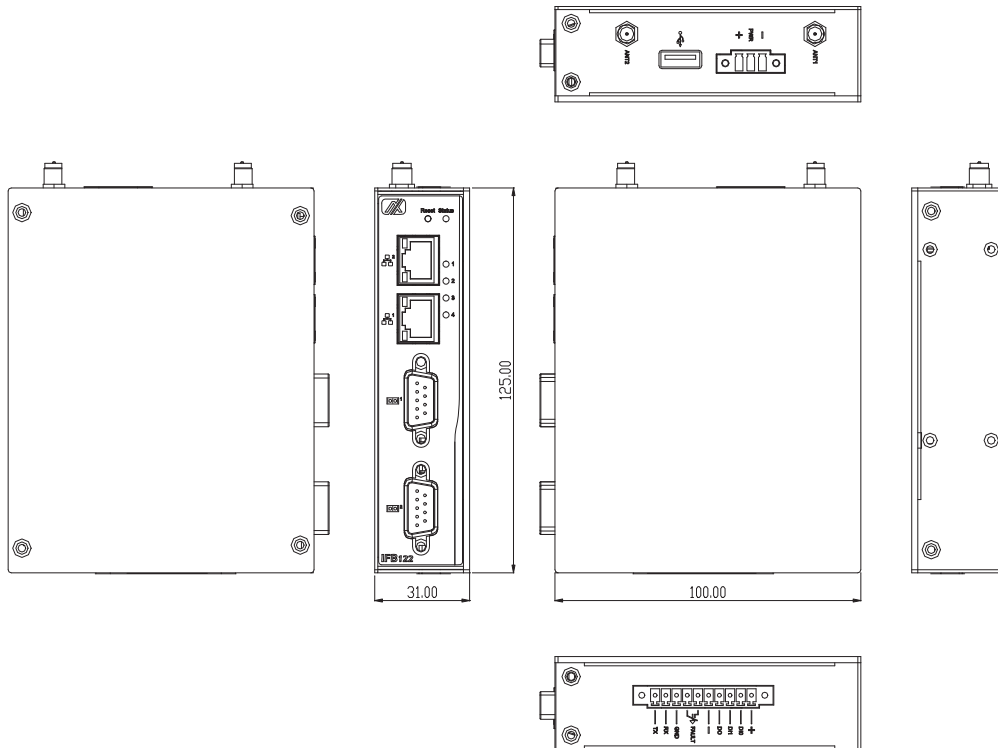
Wall mount kit
Wireless (3G/GPS or Wi-Fi) module

Packing list

- 1 x CD
- 4 x Screws
- 1 x Din-rail kit
- 1 x Console cable
- 1 x 3-pin terminal block for power port
- 1 x 10-pin terminal block for DIO port

* Specifications and certifications may vary based on different requirements.

Dimensions

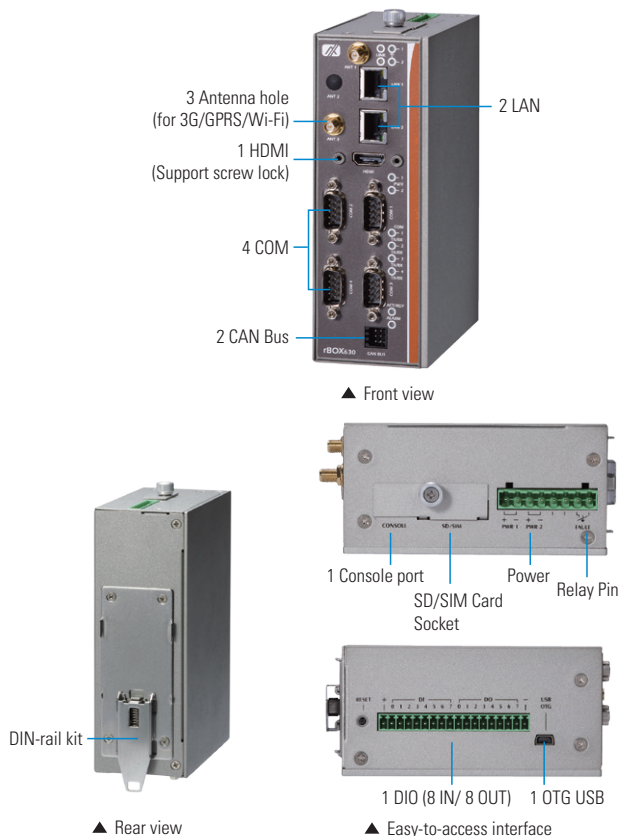
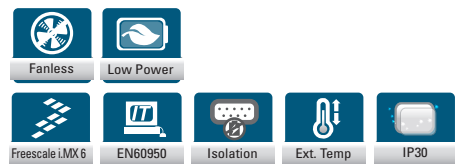


rBOX630

Robust RISC-based DIN-rail Fanless Embedded System with i.MX 6 Processor, 4 COM, 2 CANBus, and DIO

Features

- Fanless design
- RISC-based module (i.MX 6) processor
- 1GB DDR3 SDRAM onboard
- 8GB eMMC on board
- Completed industrial AP development software
- 12~48 VDC wide range power input with terminal block
- Ready-to-run embedded Linux operating system
- Wide operating temperature range from -40°C to +70°C



Introduction

The rBOX630 cost-effective DIN-rail fanless embedded system utilizes the low power RISC-based module (i.MX 6) processor and is designed to withstand temperatures ranging from -40°C to +70°C for using in harsh environment and industrial automation applications.

The rBOX630 features 4 RS-232/422/485 serial ports, dual LANs, 8 digital input channels, 8 digital output channels, 2 CAN bus and 1 eMMC onboard 8 GB & 1 x SDHC socket for storage expansion (easy to access) in a compact, IP30 protected, industrial-strength robust case. Two power paths input minimize the risk of data loss in the event of a single power failure. Its vertical DIN-rail form factor makes it easy to install the system in a small cabinet. Because of ARM's low power consumption architecture, rBOX630 generate little heat while being operated. The ready-to-run rBOX630 is specially designed for industrial machine, automatic parking lot, traffic cabinet, and more.

Hardware Specifications

| | | |
|-------------------|--|---|
| Standard Color | Sliver-Black | |
| Construction | Extruded aluminum and heavy-duty steel, IP30 | |
| CPU | i.MX 6, Cortex-A9 RISC CPU, 800MHz | |
| System Board | Q7M120 | |
| System Memory | 1 x DDR3-1600 onboard, 1GB | |
| System I/O Outlet | Serial Port | 4 x RS-232/422/485 (COM 1-4) COM 1-4 with TX/RX/RTS/CTS signals RS-232/422/485 interface select by software |
| | LAN | 1 x 10/100/1000 Mbps Ethernet |
| | | 1 x 10/100 Mbps Ethernet Magnetic isolation protection 1.5 KV |

| System I/O Outlet | Details |
|-------------------|--|
| HDMI | 1 x HDMI (Support screw lock) |
| USB | 1 x USB 2.0 OTG |
| CAN | 2 CAN 2.0 B (Phoenix connector, non-isolation) Meets ISO 11898 standard Software control termination resistor 120 ohm can high speed up to 1Mbit/s for transmit/receive |
| DIO | 1 x DIO (8-in/ 8-out) with Isolation 2 KV DI: Wet/Dry DO: Wet DI: Input channels: 8, source type Input voltage: 0 to 30 VDC digital input levels for dry contacts: -Logic level 0: close to GND -Logic level 1: open Digital input levels for wet contacts : -Logic level 0: +10V to +24V (DI to COM-) -Logic level 1: +3V max. DO : Output channels: 8, sink type Output current: Max. 200 mA per channel On-state voltage: 24 VDC nominal, open collector to 30 V Optical isolation protection 2 KV |
| Console Port | DB9 connector For user setting with debug |
| RTC | Battery onboard Provides power for the internal real time clock & calendar Ideal for vibration environment & reduces maintenance efforts |
| Alarm Contact | One relay output with current 0.5A@ 30 VDC |

Hardware Specifications

| | | | |
|--|---|--|--|
| System I/O Outlet | Wireless | 1 x Mini card socket (supports USB interface) with 1 x SIM Socket by outside access and is easy plug/pull. 1 x Mini card socket (supports USB&PCIE interface) with 1 x SIM Socket by inside | |
| Watchdog Timer | WDT 1: one step is 1 sec, 255 levels | | |
| LEDs | System | Power, Alarm, Ready/Active, COM (TX, RX), Wireless | |
| | Alarm | DC PWR1 or PWR2 | |
| Storage | 1 x eMMC 8 GB onboard (for boot disk) Supports 1 x SDHC Card (easy-to-access, for store only.) | | |
| Installation | DIN-rail, wall mount | | |
| Power Supply | Power Input | 2 power paths with terminal block | |
| | Power Input Range | 12-48 VDC | |
| | Power Input Rating | 12-48 VDC, 0.74-0.23A | |
| | Power Protection | DC Version: | |
| | | OVP (Over voltage protection) | |
| UVP (Under voltage protection) Reverse protection | | | |
| Operating Temperature | -40°C to +70°C (-40°F to +158°F) | | |
| Humidity | 10% - 95% | | |
| Vibration Endurance | 5G @ 10-150Hz, amplitude 0.35ms | | |
| Weight (net/gross) | 0.9 kg (2 lb)/1.3kg (2.87 lb) | | |
| Dimensions | 55 mm (2.16") (W) x 110 mm (4.33") (D) x 155 mm (6.10") (H) | | |
| OS Linux | Linux | | |
| | Host OS/ Development OS : Ubuntu 12.04 Yocto Dora LTS | | |
| | Toolchain/ Cross compiler : Freescale Yocto | | |
| | Kernel : 3.0.35 (with Freescale and Axiomtek hardware modified patch) | | |
| Certificate | FCC Part 18 Heavy Industrial CE | | |

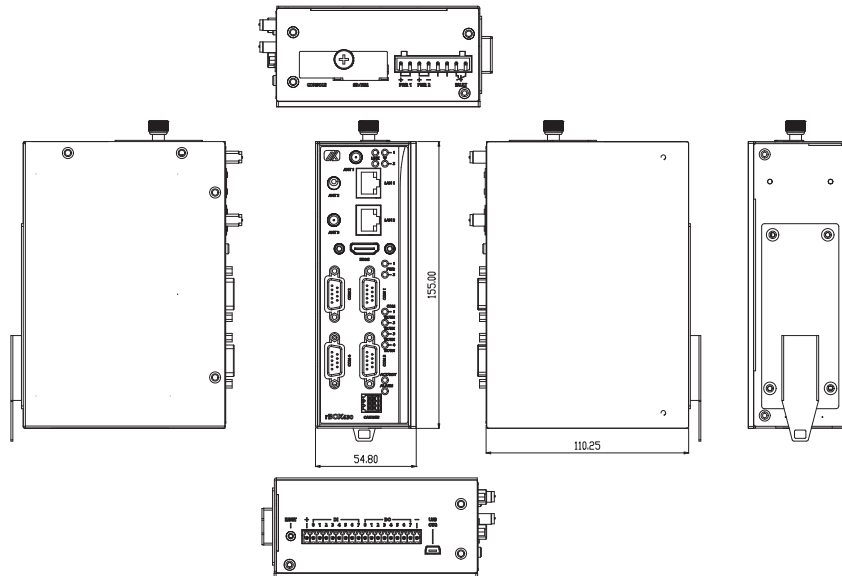
Ordering Information

| | | |
|--------------------------------------|--|--|
| Standard | | |
| rBOX630-8E-FL-DC (P/N:E26M630101) | Robust DIN-rail fanless embedded system with Q7-RISC module (i.MX 6), 4 COM, 2 CAN, and DIO (-40°C to +70°C) | |
| Optional | | |
| 826M1000040E | Wall mount kit | |
| Wireless (3G/GPS or Wi-Fi) module | | |

Packing list

- 1 x CD
- 8 x Screws
- 1 x Din-rail kit
- 1 x Console cable
- 1 x 6-pin terminal block for CANbus port
- 1 x 8-pin terminal block for power port
- 1 x 18-pin terminal block for DIO port

Dimensions

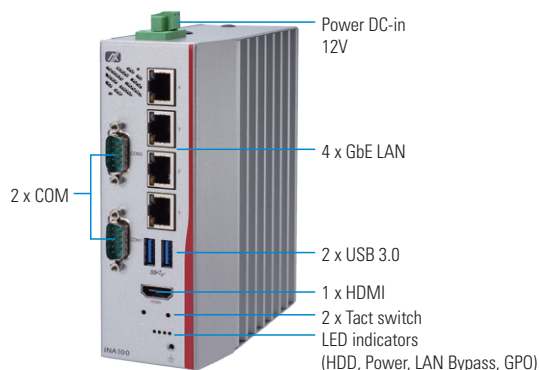


iNA100

DIN-Rail Cybersecurity Gateway with Intel Atom® x5-E3930 Processor and 4 LAN

Features

- DIN-rail design with fanless and noiseless design
- Intel Atom® x5-E3930 processor (Apollo Lake)
- One DDR3L-1866 SO-DIMM for up to 8GB of memory
- Four GbE RJ-45 (Intel® i211)
- PCI Express Mini Card slot for wireless module
- 2 COM, 4 GbE LAN, 2 USB 3.0, and 1 HDMI
- Ideal for ICS cybersecurity/critical infrastructure protection



Specifications

| System | |
|---------------------|--|
| CPU | Intel Atom® x5-E3930 processor (Apollo Lake) |
| Chipset | SoC integrated |
| Memory | 1 x DDR3L-1866 SO-DIMM, up to 8GB non-ECC/ECC memory |
| BIOS | AMI SPI Flash BIOS |
| Storage | 1 x Half-size mSATA (occupied 1 x PCI Express Mini Card slot) 1 x Internal 2.5" SATA drive (9.5 mm height) |
| Network Interface | 4 x GbE RJ-45 (Intel® i211) |
| I/O | 2 x DB9 serial port (COM1 supports RS-232, COM2 supports RS-232/422/485) 4 x RJ-45 2 x USB 3.0 1 x HDMI 2 x Tact switch (1 x reset button, 1 x GPI button) |
| Other Features | LAN Bypass (one pair) |
| Expansion Interface | 1 x Half-size PCIe Mini Card slot with SATA/USB signal 1 x Full-size PCIe Mini Card slot with USB signal |
| TPM | TPM 2.0 |
| Watchdog Timer | 255 stepping for system reset |
| Power Supply | 1 x 2-pin terminal block 12V |
| OS Compatibility | Win 10, Linux (Yocto project) |

Mechanical/ Environmental

| | |
|-----------------------|--|
| Form Factor | DIN-rail, wall mount (optional) |
| LED | Power, HDD, GPIO programmable, LAN Bypass, Link/Act with transfer rate |
| Operating Temperature | -20°C to +60°C (-4°F to +140°F) |
| Humidity | 10% - 95% RH, non-condensing |
| Chassis Material | Aluminum and steel |
| Dimensions | 54 mm (2.13) (W) x 120 mm (4.72") (D) x 150 mm (5.9") (H) |
| Weight (net/gross) | 1.1 kg (2.43 lb)/2.0 kg (4.41 lb) |
| Certifications | CE/FCC |

Ordering Information

Standard

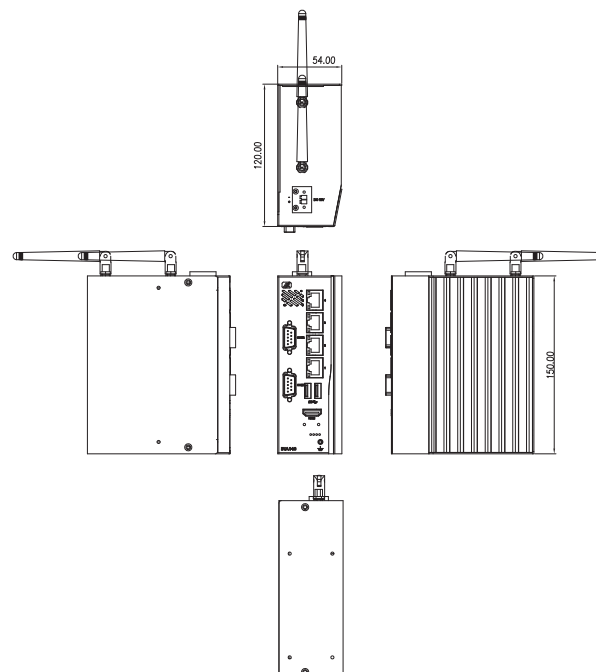
| | |
|-----------------------------|--|
| iNA100 (P/N: E27B100100) | DIN-rail Cybersecurity Gateway with Intel Atom® x5-E3930 processor and 4 GbE LAN |
|-----------------------------|--|

Optional

2.5" SATA SSD or HDD
DDR3L SO-DIMM
mSATA
Wall mount kits
Wi-Fi Module
3G/LTE Module
12V, 60W adapter
Power Cord

* Specifications and certifications may vary contingent on options.

Dimensions

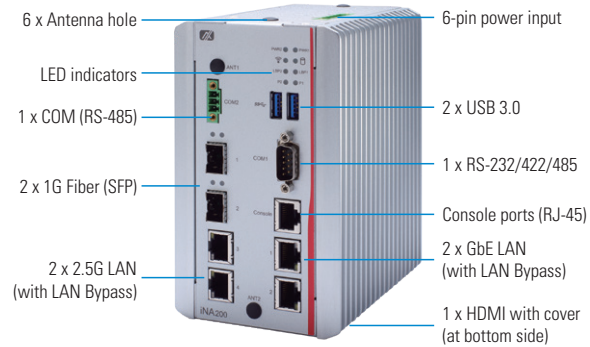


iNA200 NEW

DIN-rail Cybersecurity Gateway with Intel Atom® x6212RE/x6414RE Processor and up to 6 LAN

Features

- Intel Atom® x6212RE/x6414RE processor (Elkhart Lake)
- DDR4-3200 SO-DIMM, up to 32GB
- 2 GbE LAN, 2 2.5GbE LAN, and 2 SFP
- Wide operating temperature from -40°C to 75°C
- Wide power input of 9 to 36 VDC with redundant backup input
- Supports 5G with M.2 Key B 3042/3052
- Supports TPM 2.0
- Ideal for OT field site cybersecurity and secured edge



Specifications

| System | |
|---------------------|---|
| CPU | Intel Atom® x6212RE/x6414RE processor (Elkhart Lake) |
| Chipset | SoC integrated |
| Memory | DDR4-3200 SO-DIMM, up to 32GB |
| BIOS | AMI SPI Flash BIOS |
| Storage | 1 x 2.5" SATA 3.0 SSD 1 x 16GB eMMC onboard |
| Network Interface | 2 x 10/100/1000 Mbps (Marvell 88E1512) with LAN Bypass 2 x 2.5G (Intel® I225-IT) with LAN Bypass and TSN function 2 x 1G SFP (Intel® I210-IS) |
| I/O | 1 x HDMI with cover 2 x USB 3.0 1 x COM port (RS-232/422/485) with DB9 type 1 x COM port (RS-485) with 3 pin terminal block 1 x Tact switch 6 x Antenna hole 1 x Power input connector 4 x Copper 2 x Fiber 1 x Console port (RJ-45) |
| Expansion Interface | 1 x M.2 key B 3042/3052 slot (PCIe + USB interface) 1 x Full-size PCIe Mini Card slot (USB + SATA interface) |
| TPM | TPM 2.0 |
| Watchdog Timer | 255 stepping for system reset |
| Power Supply | 9 to 36 VDC (typical 12/24V) with 2 terminal blocks for redundant backup input |
| OS Compatibility | Win 10, Linux |

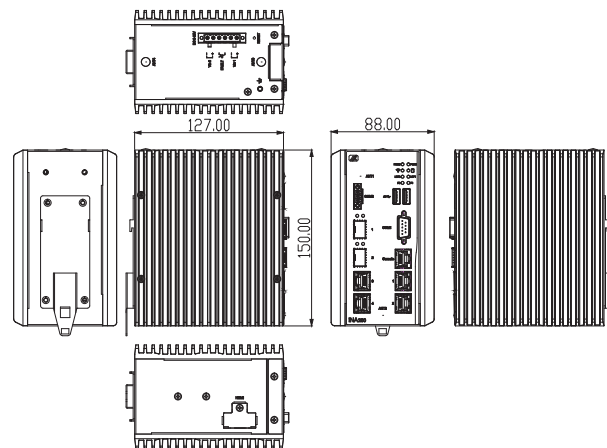
Mechanical/ Environmental

| | |
|-----------------------|---|
| Form Factor | DIN-rail |
| LED | 8 x LED |
| Operating Temperature | -40°C to +75°C (-40°F to +167°F) |
| Humidity | 10% to 95% RH, non-condensing |
| Chassis Material | Aluminum and steel |
| Dimensions | 88 mm (3.47") (W) x 127 mm (5") (D) x 150 mm (5.9") (H) |
| Weight (net/gross) | 1.5 kg (3.3 lb)/1.8 kg (3.97 lb) |
| Certifications | CE/FCC |

Ordering Information

| Standard | |
|----------|---|
| iNA200 | DIN-rail cybersecurity gateway with Intel Atom® x6212RE/x6414RE processor and up to 6 LAN |





Dimensions



3

Industrial Systems

Axiomtek has a full range of AXView intelligent platform that are suitable for different environments and applications. These industrial PCs offer powerful computing performance, scalability, high storage capacity, reliability, and solid design. Axiomtek IPC products are in compliance with the relevant EU legislation (CE Marking). They offer popular interfaces and rich I/O options. Axiomtek's iHPC product is GPU-powered rackmount workstation which offers massive parallel computing power and unrivaled networking flexibility. It is designed to deliver ample processing power for the most computationally intensive applications.

| | | |
|---|--|----|
| Selection Guide | | 84 |
| Industrial Systems | | |
|  IPC950 | Fanless Industrial System with Intel® Core® i7/i5/i3 or Celeron® 6305E, and Front Access I/O | 87 |
| IPC960-525 | Fanless Industrial System with LGA1151 Socket 9th/8th Gen Intel® Core™ i7/i5/i3 or Celeron®, Intel® H310/Intel® Q370, and Front-access I/O | 89 |
| IPC962-525 | 2-slot Industrial System with LGA1151 Socket 9th/8th Gen Intel® Core™ i7/i5/i3 or Celeron®, Intel® H310/Intel® Q370, Front-access I/O, PCIe, and PCI Slots | 91 |
| IPC964-525 | 4-slot Industrial System with LGA1151 Socket 9th/8th Gen Intel® Core™ i7/i5/i3 or Celeron®, Intel® Q370, Front-access I/O, PCIe, and PCI Slots | 93 |
|  IPC970 | Industrial System with LGA1200 Socket 10th Gen Intel® Xeon® and Core™ i7/i5/i3, Intel® W480E, Front-access I/O, and PCIe Slots | 95 |
|  IPC972 | Industrial System with LGA1200 Socket 10th Gen Intel® Xeon® and Core™ i7/i5/i3, Intel® W480E, Front-access I/O, and 2 PCIe x16 Slots | 97 |
| Rackmount GPU Workstation | | |
|  iHPC300 | 4U Rackmount GPU Workstation with 3rd Gen Intel® Xeon® Scalable Processors and Multiple Accelerator Cards | 99 |

Systems and Platforms

Industrial Systems

Selection Guide

NEW



| Features/Models | IPC950 | IPC960-525-FL | IPC962-525 |
|-------------------------------|---|---|---|
| CPU Level | Intel® Core® i7-1185G7E/i5-1145G7E/i3-1115G4E or Intel® Celeron® 6305E processor | 9th/8th gen Intel® Core™ processor, up to 65W | 9th/8th gen Intel® Core™ processor, up to 65W |
| System Memory | 2 x DDR4-3200 MT/s un-buffered SO-DIMM, up to 64G | 2 x DDR4-2666/2400 MT/s un-buffered SO-DIMM, up to 64GB | 2 x DDR4-2133/2400 un-buffered SO-DIMM, up to 64GB |
| Chipset | N/A | Intel® H310/Intel® Q370 | Intel® H310/Intel® Q370 |
| Vision I/O | N/A | N/A | N/A |
| Expansion I/O Module | 4 x RS-232/422/485 module (default RS-232) or 2 x RS-232/422/485 with isolated 1.5kVDC module and 4-in/4-out isolated DIO or 4 x RS-232/422/485 isolated 2kVDC module (default RS-232) or 1 x 10/100/1000 Mbps Ethernet 2 x RS-232/422/485 and 2 x USB module | 4 x RS-232/422/485 module (default RS-232) or 2 x RS-232/422/485 with isolated 1.5kVDC module and 4-in/4-out isolated DIO or 4 x RS-232/422/485 isolated 2kVDC module (default RS-232) or 1 x 10/100/1000 Mbps Ethernet 2 x RS-232/422/485 and 2 x USB module (Intel® Q370 sku) | 4 x RS-232/422/485 module (default RS-232) or 2 x RS-232/422/485 with isolated 1.5kVDC module and 4-in/4-out isolated DIO or 4 x RS-232/422/485 isolated 2kVDC module (default RS-232) or 1 x 10/100/1000 Mbps Ethernet 2 x RS-232/422/485 and 2 x USB module (Intel® Q370 sku) |
| Display | 2 x DP++ | 1 x HDMI 1 x VGA | 1 x HDMI 1 x VGA |
| Audio | Yes | Yes | Yes |
| PS/2 | N/A | N/A | N/A |
| Ethernet | 1 x 2.5G Ethernet 2 x 10/100/1000 Mbps Ethernet | 2 x 10/100/1000 Mbps Ethernet | 2 x 10/100/1000 Mbps Ethernet |
| Serial | 1 x RS-232/422/485 (default RS-232, COM1) | 1 x RS-232/422/485 (default RS-232, COM1) | 1 x RS-232/422/485 (default RS-232, COM1) |
| USB | 4 x USB 3.1 (10G) 1 x USB 2.0 (internal, 180D type A for license key) | 4 x USB 3.1 2 x USB 2.0 1 x USB 2.0 (internal, 180D type A for license key) | 4 x USB 3.1 2 x USB 2.0 1 x USB 2.0 (internal, 180D type A for license key) |
| Expansion Interface | 1 x PCIe x4 (optional) 1 x PCI Express Mini card slot 1 x M.2 Key socket 1 x SIM slot | 1 x PCIe x16 + 1 PCIe x4 or 1 x PCIe x16 + 1 PCI or 2 PCI 1 x PCI Express Mini Card slot or 1 x M.2 Key B socket (Intel® Q370) 1 SIM slot | 1 x PCIe x16 + 1 PCIe x4 or 1 x PCIe x16 + 1 PCI or 2 PCI 1 x PCI Express Mini Card slot or 1 x M.2 Key B socket (Intel® Q370) 1 x SIM slot |
| Storage | 1 x 2.5" HDD/SSD bay 1 x M.2 Key B+M socket | 2 x 2.5" swappable HDD 1 x M.2 Key M slot (Q370) | 2 x 2.5" swappable HDD 1 x M.2 Key M slot (Q370) |
| Watchdog Timer | 255 levels, 1 to 255 sec. | 255 levels, 1 to 255 sec. | 255 levels, 1 to 255 sec. |
| Power Input | 24 VDC (uMin=19V/uMax=30V) | 24 VDC (uMin=19V/uMax=30V) | 24 VDC (uMin=19V/uMax=30V) |
| Operating Temperature | -20°C to +50°C (-4°F to +122°F) | -10°C to +60°C (+14°F to +140°F) | -10°C to +60°C (+14°F to +140°F) |
| Wall Mount | Yes | Yes | Yes |
| Din Rail Mount | Yes | N/A | N/A |
| Dimensions (W x D x H) | 69.5 x 225 x 230 mm | 83.5 x 192 x 230 mm | 147.5 x 192 x 230 mm |
| Weight (net/gross) | 4 kg/6 kg | 3.82 kg/4.78 kg | 4.382 kg/5.346 kg |
| Certifications | CE/FCC | CE/FCC | CE/FCC |
| EOS Support | Win 10 64-bit | Win 10 64-bit | Win 10 64-bit |



Industrial Systems

Selection Guide



NEW



NEW



| Features/Models | IPC964-525 | IPC970 | IPC972 |
|-------------------------------|--|--|--|
| CPU Level | 9th/8th gen Intel® Core™ processor, up to 65W | 10th Gen Intel® Xeon® and Core™ i7/i5/i3 processors (Cometlake-S), up to 80W | 10th Gen Intel® Xeon® and Core™ i7/i5/i3 processors (Cometlake-S), up to 80W* |
| System Memory | 2 x DDR4-2133 un-buffered SO-DIMM, up to 64GB | 4 DDR4-2933 MT/s ECC or non ECC U-DIMM socket max. up to 128GB | 4 DDR4-2933 MT/s ECC or non ECC U-DIMM socket max. up to 128GB |
| Chipset | Intel® Q370 | Intel® W480E | Intel® W480E |
| Expansion I/O Module | 4 x RS-232/422/485 module (default RS-232) or 2 x RS-232/422/485 with isolated 1.5kVDC module and 4-in/4-out isolated DIO or 4 x RS-232/422/485 isolated 2kVDC module (default RS-232) or 1 x 10/100/1000 Mbps Ethernet, 2 x RS-232/422/485 and 2 x USB module | 4 x RS-232/422/485 module (default RS-232) or 2 x RS-232/422/485 with isolated 1.5kVDC module and 4-in/4-out isolated DIO or 4 x RS-232/422/485 isolated 2kVDC module (default RS-232) or 1 x 10/100/1000 Mbps Ethernet, 2 x RS-232/422/485 and 2 x USB module | 4 x RS-232/422/485 module (default RS-232) or 2 x RS-232/422/485 with isolated 1.5kVDC module and 4-in/4-out isolated DIO or 4 x RS-232/422/485 isolated 2kVDC module (default RS-232) or 1 x 10/100/1000 Mbps Ethernet, 2 x RS-232/422/485 and 2 x USB module |
| Display | 1 x HDMI 1 x VGA | 1 x HDMI 1 x VGA | 1 x HDMI 1 x VGA |
| Audio | Yes | Yes | Yes |
| Ethernet | 2 x 10/100/1000 Mbps Ethernet | 1 x 2.5G Ethernet 1 x 10/100/1000 Mbps Ethernet | 1 x 2.5G Ethernet 1 x 10/100/1000 Mbps Ethernet |
| Serial | 1 x RS-232/422/485 (default RS-232, COM1) | N/A | N/A |
| USB | 4 x USB 3.1 2 x USB 2.0 1 x USB 2.0 (internal, 180D type A for license key) | 6 x USB 3.2 Gen.2 (10G) 2 x USB 3.2 Gen.1 1 x USB 2.0 (internal, 180D type A for license key) | 6 x USB 3.2 Gen.2 (10G) 2 x USB 3.2 Gen.1 1 x USB 2.0 (internal, 180D type A for license key) |
| Expansion Interface | 1 x PCIe x16 + 3 PCIe x4 or 1 x PCIe x16 + 1 PCIe x4 + 2 PCI 1 x PCI Express Mini Card slot or 1 M.2 Key B socket 1 x SIM slot | 2 x PCIe x8 (x4 signal) 1 x PCIe x16 1 x PCIe Express Mini card socket with SIM slot 1 x M.2 Key B socket with SIM slot 1 x M.2 Key E socket | 1 x PCIe x4 1 x PCIe x8 (x4 signal) 2 x PCIe x16 (x8 signal) 1 x PCIe Express Mini card socket with SIM slot 1 x M.2 Key B socket with SIM slot 1 x M.2 Key E socket |
| Storage | 2 x 2.5" swappable HDD bay 1 x M.2 Key M socket | 2 x swappable HDD bay 1 x HDD bay (internal) 1 x M.2 Key M Socket | 2 x swappable HDD bay 1 x HDD bay (internal) 1 x M.2 Key M Socket |
| Watchdog Timer | 255 levels, 1 to 255 sec. | 255 levels, 1 to 255 sec. | 255 levels, 1 to 255 sec. |
| Power Input | 24 VDC (uMin=19V/uMax=30V) | 24 VDC (uMin=19V/uMax=30V) | 24 VDC (uMin=19V/uMax=30V) |
| Operating Temperature | -10°C to +60°C (+14°F to +140°F) | -10°C to +70°C (+14°F up to +149°F) | -10°C to +70°C (+14°F up to +149°F) |
| Wall Mount | Yes | Yes | Yes |
| Dimensions (W x D x H) | 188.1 x 192 x 230 mm | 190 x 192 x 360 mm | 255 x 192 x 360 mm |
| Weight (net/gross) | 4.8 Kg/5.9 Kg | 7.3 kg/9.8 kg | TBC |
| Certifications | CE/FCC | CE/FCC | CE/FCC |
| EOS Support | Win 10 64-bit | Win 10 64-bit | Win 10 64-bit |

4U Rackmount GPU Workstation

Selection Guide



| Features/Models | iHPC300 |
|-------------------------------|---|
| CPU Level | 3rd Gen Intel® Xeon® Scalable processors up to 270W, 40 cores |
| System Memory | 6 x DDR4-3200 R-DIMM unbuffered non-ECC/ECC memory, up to 384GB |
| Chipset | Intel® C621A |
| Expansion I/O Module | N/A |
| Display | 1 x VGA |
| Audio | HD Codec audio as MIC-in/Line-in/Line-out/ Speaker-out with audio kit AX93242 (optional) |
| Ethernet | 2 x 10/100/1000Mbps (Intel® i210-AT) |
| Serial | 1 x RS-232/422/485 |
| USB | 4 x USB 3.1 Gen1 (rear I/O) 2 x USB 3.1 Gen1 (internal box header) 6 x USB 2.0 (internal box header) 1 x USB 2.0 (180D Type A) |
| Expansion Interface | Slot1: PCIe x8 Slot2: PCIe x16 (signal: x16 or x8) Slot3: PCIe x8 slot (signal: x0 or x8) Slot4: PCIe x16 (Gen4) Slot5: M.2 key M 2280 (signal: x4) Slot6: PCIe x16 (Gen4) Slot7: PCIe x8 |
| Storage | 6 x SATA3 with RAID 0/1/5/10 |
| Watchdog Timer | 255 levels, 1 to 255 sec |
| Power Input | <ul style="list-style-type: none"> 1200W AC Input voltage: 100 to 240V 2000W AC Input voltage: 200 to 240V AC input voltage: 100 to 200V support 1500W |
| Operating Temperature | 0°C to +40°C (+32°F to +104°F) |
| Wall Mount | N/A |
| Dimensions (W x D x H) | 430 x 174.8 x 515 mm (16.9" x 6.9" x 20.3") |
| Weight (net/gross) | 17.15 kg (37.8 lb)/ 21.78 kg (48 lb) |
| Certifications | CE/FCC |
| EOS Support | N/A |



IPC950 NEW

Fanless Industrial System with Intel® Core® Processor i7/i5/i3 or Celeron® 6305E Processor and Front Access I/O

Features

- Intel® Core® i7/i5/i3 processor (Tiger Lake U), 15W
- Flexible I/O module for further expansion
- M.2 Key E socket for wireless connection
- 2 DisplayPort
- Supports TPM 2.0
- Supports Intel® iAMT
- Optional 1 PCIe x4 slot expansion kit
- Optional DIN-rail, bookshelf and wall mount



- | | |
|----------------------------|-------------------------------|
| 1. 4 x LED | 8. 8CH DIO |
| 2. RS-232/422/485 | 9. Flexible System I/O Window |
| 3. 3 x LAN | 10. 4 x USB3.1 (10G) |
| 4. Line out | 11. 2 x DP++ |
| 5. Remote power switch | 12. 3-pin terminal block |
| 6. Switch for power on/off | 13. Ground terminal |
| 7. Antenna opening | 14. 1 PCIe x4 slot |



Specifications

| | | |
|----------------------------|--|---|
| Standard Color | Silver & black | |
| Construction | Aluminum extrusion heavy-duty cold-rolled steel | |
| Processor System | CPU Level | Intel® Core® i7-1185G7E/i5-1145G7E/i3-1115G4E & Intel® Celeron® 6305E processor (Tiger Lake U), 15W |
| | Chipset | SoC |
| System Memory | 2 x DDR4-3200 MT/s un-buffered SO-DIMM, up to 64GB | |
| System I/O | Ethernet | 1 x 10/100/1000/2500 Mbps Ethernet (Intel® i225-LM) 2 x 10/100/1000 Mbps Ethernet (Intel® i211-AT) |
| | Serial | 1 x RS-232/422/485 (default RS-232, BIOS selection) |
| | DIO | Programmable 8CH DIO via 10-pin terminal block, TTL type |
| | USB | 4 x USB 3.1 (10G) Type A 1 x Internal USB 2.0 for license key usage, up to 20mm |
| | Display | 2 x DP++ 1.2 4K supports resolution up to 4096*2160 @60HZ |
| | Audio | 1 x Line-out |
| | Others | 1 x Switch for power on/off w/LED (ATX) 1 x Remote switch 1 x 3-pin terminal block 1 x ATX/ATX selectable switch |
| Flexible System I/O Module | AX93511 | 4 x RS-232/422/485 module (default RS-232) |
| | AX93512 | 2 x RS-232/422/485 with isolated 1.5kVDC & 8-in/8-out with isolated 1.5kVDC DIO module |
| | AX93516 | 4 x RS-232/422/485 with isolated 2kVDC module |
| | AX93519 | 1 x 10/100/1000 Mbps Ethernet, 2 x RS-232/422/485 and 2 x USB 2.0 module |
| | Blank I/O cover (default) | |

| | |
|-----------------------|--|
| TPM | TPM 2.0 |
| Expansion Interface | M.2 Key E 2230 socket |
| | SIM 1 x SIM slot |
| | mPCIe 1 x Full-size PCI Express Mini Card slot (USB & PCIe interface) |
| | PCIe 1 PCIe x4 slot for Axiomtek I/O card (optional) <ul style="list-style-type: none"> • AX92320: 2/4-port GigE PoE LAN PCI Express card (max. 100W PoE power output) • AX92321: 4-port/8-port USB 3.0 PCI Express card with 4 independent host controllers • AX92322: 2-port/4-port GbE LAN PCI Express card • AX92351: 32-CH isolated digital I/O with digital filter |
| Storage | 1 x 2.5" HDD/SSD bay (7/9.5 mm height) 1 x M.2 Key B+M 2280 socket (SATA interface) for SSD |
| System Indicators | 1 x CPU status LED 1 x Programmable (GPIO) LED 1 x HDD/SSD access LED 1 x Power LED |
| Power Input | Type: ATX/AT Input: 24 VDC (uMin=19V/uMax=30V) |
| Operating Temperature | -20°C to +50°C (-4°F to +122°F) with W.T. SSD |
| Storage Temperature | -40°C to +70°C (-40°F to +158°F) |
| Relative Humidity | 10% to 95% (non-condensing) |
| Dimensions | 69.5 mm (2.73") (W) x 225 mm (8.85") (H) x 230 mm (9") (D) |
| Weight (net/gross) | 4 kg/6 kg |
| Certifications | CE/FCC |

Ordering Information

| System | |
|---------------------------------------|---|
| IPC950-11i7-F5 (P/N: E26G950101) | Fanless industrial system with Intel® Core® i7-1185G7E and blank flexible I/O, w/o Axiomtek logo |
| IPC950-11i5-F5 (P/N: E26G950102) | Fanless industrial system with Intel® Core® i5-1145G7E and blank flexible I/O, w/o Axiomtek logo |
| IPC950-11i3-F5 (P/N: E26G950103) | Fanless industrial system with Intel® Core® i3-1115G4E and blank flexible I/O, w/o Axiomtek logo |
| IPC950-11iC-F5 (P/N: E26G950104) | Fanless industrial system with Intel® Core® Celeron® 6305E and blank I/O, w/o Axiomtek logo |
| IPC950-11i7-F5E1 (P/N: E26G950105) | Fanless industrial system with Intel® Core® i7-1185G7E, blank flexible I/O, and 1 PCIe x4 slot, w/o Axiomtek logo |

Optional Flexible System I/O Module

| | |
|--------------------------------|--|
| AX93511 (P/N: 886G95010A0E) | 4 x RS-232/422/485 module (default RS-232) |
| AX93512 (P/N: 886G95011A0E) | 2 x RS-232/422/485 with isolated 1.5kVDC & 8-in/8-out with isolated 1.5kVDC DIO module |
| AX93516 (P/N: 886G95012A0E) | 4 x RS-232/422/485 with isolated 2kVDC module |
| AX93519 (P/N: 886G95013A0E) | 1 x 10/100/1000 Mbps (Intel® i211-AT) Ethernet 2 x RS-232/422/485 & 2 x USB 2.0 |

Mounting Type

DIN-rail Mounting



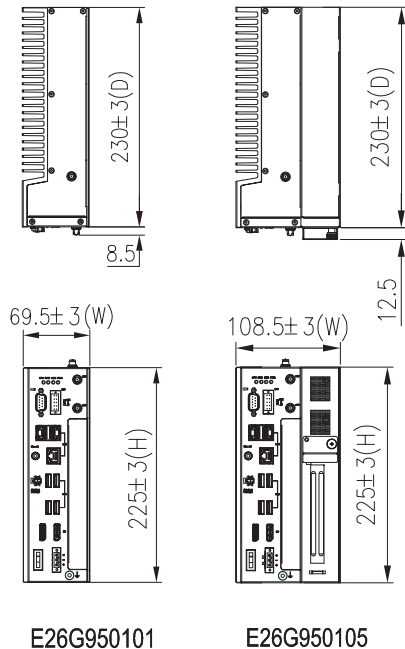
Bookshelf Mounting



Wall Mounting



Dimensions



Optional

| | |
|--|---|
| 2.5" SATA HDD/SSD | |
| M.2 Key B+M 2280 (SATA) NVMe SSD | |
| DDR4-3200 MT/s un-buffered SO-DIMM, up to 64GB | |
| 886G95018A0E | DIN-rail mounting kit for IPC950 system |
| 886G9501AA0E | DIN-rail mounting kit for IPC950 w/PCIe x4 slot system |
| 886G95019A0E | Bookshelf mounting kit for IPC950 system |
| 886G9501BA0E | Bookshelf mounting kit for IPC950 w/PCIe x4 slot system |
| 886G9501CA0E | Wall mounting kit for IPC950 and IPC950 w/PCIe x4 slot system |
| 59492350700E | Power cable for AX92320 |

Power Protection

DC Version

- OVP (over voltage protection)
- OCV (over current protection)
- Reverse Protection

Packing List

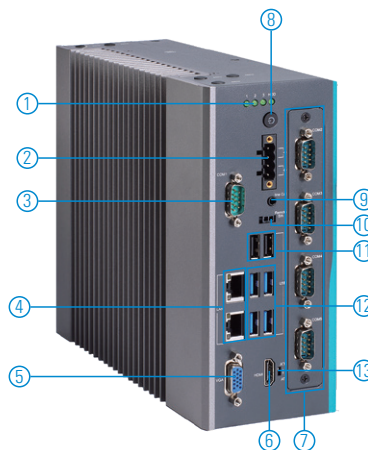
- 1 x IPC950 unit
- 1 x Screw pack
- 1 x Terminal block
- 1 x Remote power switch cable
- 3 x Antenna isolated washer

IPC960-525-FL

Fanless Industrial System with LGA1151 Socket 9th/8th Gen Intel® Core™ i7/i5/i3 or Celeron® Processor, Intel® H310/Intel® Q370, and Front-access I/O

Features

- LGA1151 Socket 9th/8th gen Intel® Core™ processor, up to 65W
- M.2 Key B slot for 5G wireless connection (optional)
- Supports RAID 0,1 (Intel® Q370)
- Supports Power-on delay function
- Supports TPM 2.0
- Supports AMT 12 (Intel® Q370)
- 2 or 4-slot expansion kit for further expansion



- | | | |
|--|---|-----------------------|
| 1. 1 x HDD/SSD access LED & 3 x user's LED | 7. Extension system I/O module (1) AX93511 (2) AX93512 (3) AX93516 (4) AX93519 (5) Blank I/O cover | 9. Line-out |
| 2. 4-pin terminal block | 8. Switch for power on/off w/LED | 10. Remote switch |
| 3. RS-232/422/485 (default RS-232) | | 11. 2 x USB 2.0 |
| 4. 2 x GbE LAN | | 12. 4 x USB 3.1 Gen.1 |
| 5. VGA | | 13. 1 x AT/ATX switch |
| 6. HDMI | | |



Specifications

| | | | |
|------------------|---|---|--|
| Standard Color | Silver & black | | |
| Construction | Aluminum extrusion heavy-duty cold-rolled steel | | |
| Processor System | CPU Level | 9th/8th gen Intel® Core™ processor, up to 65W* | |
| | Chipset | Intel® H310/Intel® Q370 | |
| System Memory | 2 x DDR4-2666/2400 MT/s un-buffered SO-DIMM, up to 64GB | | |
| System I/O | Ethernet | 2 x 10/100/1000 Mbps Ethernet (Intel® I211-AT & I219-LM) | |
| | Serial | 1 x RS-232/422/485 (default RS-232, COM1) | |
| | USB | Intel® H310: | 4 x USB 3.1 Gen1 2 x USB 2.0 1 x USB 2.0 (internal, 180D type A for license key, up to 30mm) |
| | | Intel® Q370: | 4 x USB 3.1 Gen2 2 x USB 2.0 1 x USB 2.0 (internal, 180D type A for license key, up to 30mm) |
| | | Display | 1 x VGA 1 x HDMI |
| | | Audio | 1 x Line-out |
| | Others | 1 x RS-232/422/485 (default RS-232) 1 x Switch for power on/off w/LED (ATX) 1 x Remote switch 1 x 4-pin terminal block 1 x AT/ATX selectable switch | |
| | Extension System I/O Module | AX93511 | 4 x RS-232/422/485 module (default RS-232) |
| | | AX93512 | 2 x RS-232/422/485 with isolated 1.5kVDC & 8-in/8-out with isolated 1.5kVDC DIO module |
| | | AX93516 | 4 x RS-232/422/485 with isolated 2kVDC module |
| AX93519 | | Intel® Q370: 1 x 10/100/1000 Mbps Ethernet, 2 x RS-232/422/485 and 2 x USB 3.1 (1 USB 3.1 Gen2 & 1 USB 2.0 signal) module | |

| | | |
|-----------------------|--|---|
| TPM | TPM 2.0 | |
| Expansion Interface | SIM | 1 x SIM slot |
| | PCIe | Intel® H310: 1 x Full-size PCI Express Mini Card slot (USB interface) Intel® Q370: 1 x Full-size PCI Express Mini Card slot (USB & PCIe interface) or 1 x M.2 Key B 3050 socket |
| Storage | Intel® H310: 2 x 2.5" swappable HDD/SSD (7/9.5 mm height) Intel® Q370: 2 x 2.5" swappable HDD/SSD (7/9.5 mm height), supports RAID 0,1 1 x M.2 Key M 2280 socket (PCIe Gen3 x4) for NVMe SSD | |
| System Indicators | 1 x HDD/SSD access LED 3 x User's LED | |
| Power Input | Type: ATX/AT Input: 24 VDC (uMin=19V/uMax=30V) | |
| Operating Temperature | -10°C to +60°C (+14°F to +140°F) with 9th/8th gen Intel® Core™ and W.T. HDD/SSD* | |
| Storage Temperature | -20°C to +80°C (-4°F to +176°F) | |
| Humidity | 10% to 90%, non-condensing | |
| Dimensions | 83.5 mm (3.28") (W) x 192 mm (7.54") (H) x 230 mm (9.04") (D) | |
| Weight (net/gross) | 3.82 kg (8.43 lb)/4.78 kg (10.55 lb) | |
| Certifications | CE/FCC | |

* Please refer to the user's manual for the system CPU support list and the system operating temperature list.

Ordering Information

| System | |
|---|---|
| PC960-525-N-DC-FL-H310 (P/N: E26G960107) | Fanless industrial system with 9th/8th gen Intel® Core™ processor, Intel® H310, and PCI Express Mini Card slot, w/o Axiomtek logo |
| IPC960-525-N-DC-FL-Q370 (P/N: E26G960105) | Fanless industrial system with 9th/8th gen Intel® Core™ processor, Intel® Q370, and PCI Express Mini Card slot, w/o Axiomtek logo |
| IPC960-525-N-DC-FL-Q370-5G (P/N: E26G960104) | Fanless industrial system with 9th/8th gen Intel® Core™ processor, Intel® Q370, and 5G wireless version, w/o Axiomtek logo |

I/O Module & Riser Card

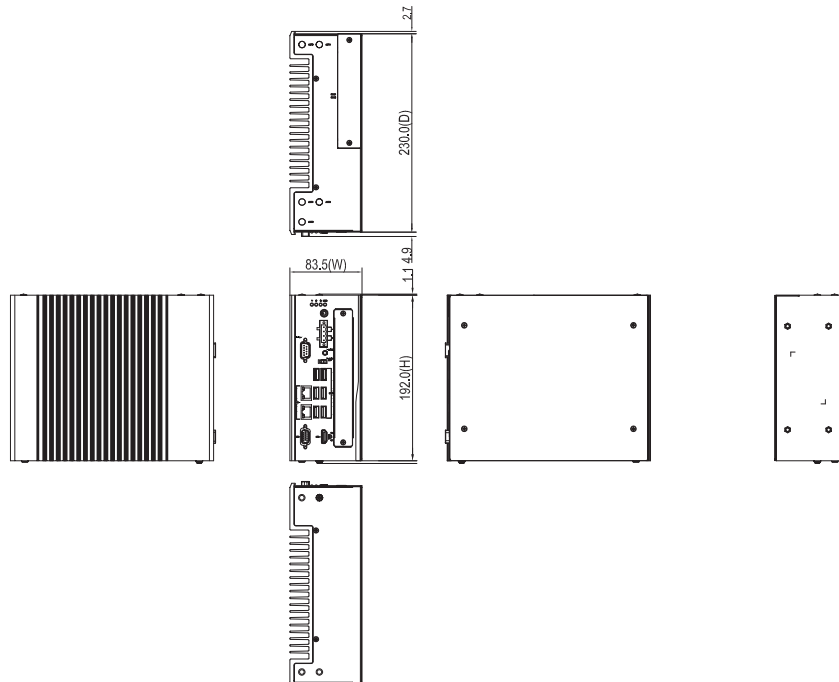
| | |
|--------------------------------|---|
| AX93511 (P/N: 826G9620170E) | 4 x RS-232/422/485 module (default RS-232) |
| AX93512 (P/N: 826G9620200E) | 2 x RS-232/422/485 with isolated 1.5kVDC & 8-in/8-out with isolated 1.5kVDC DIO module |
| AX93516 (P/N: 826G9620180E) | 4 x RS-232/422/485 with isolated 2kVDC module |
| AX93519 (P/N: 826G9620190E) | 1 x 10/100/1000 Mbps (Intel® i211-AT) Ethernet 2 x RS-232/422/485 & 2 x USB 3.1 (1 USB 3.1 Gen2 & 1 USB 2.0 signal or 2 USB 2.0 signal) module |
| 726G9740690E | Blank I/O cover |

Power Protection

DC Version

OVP (over voltage protection)
 OCP (over current protection)
 Reverse Protection

Dimensions



Optional

| | |
|--|--|
| 2.5" SATA HDD/SSD | |
| M.2 Key M 2280 (PCIe x4) NVMe SSD | |
| DDR4-2666 MT/s non-ECC SO-DIMM, up to 64GB | |
| 8816G962AA0E | Wall mount bracket kit |
| 8816G960A0E | Din-rail mounting kit (for IPC960) |
| 50906D24000E | Adaptor 24V/120W, wire only |
| 50906A24000E | Adaptor 24V/230W, wire only |
| AX96205 expansion kit (P/N: E26G962116) | 1 PCIe x16 + 1 PCIe x4 w/chassis expansion kit |
| AX96206 expansion kit (P/N: E26G962117) | 1 PCIe x16 + 1 PCI w/chassis expansion kit |
| AX96207 expansion kit (P/M: E26G962118) | 2 PCI w/chassis expansion kit |
| 8816G962BA0E | Fan module kit (internal, for AX96205/6/7 w/chassis expansion kit) |
| 8816G962CA0E | Fan module kit (external, for AX96205/6/7 w/chassis expansion kit) |
| 8816G9629A0E | NVIDIA® Tesla T4 GPU card fan module kit (for AX96205 w/chassis expansion kit) |
| AX96410 expansion kit (P/N: E26G964107) | 1 PCIe x16 + 3 PCIe x4 w/chassis expansion kit (for Intel® Q370) |
| AX96411 expansion kit (P/N: E26G964108) | 1 PCIe x16 + 1 PCIe x4 + 2 PCI w/chassis expansion kit (for Intel® Q370) |
| 8816G9643A0E | Fan module kit (internal, for AX96410/11 expansion kit) |
| 8816G9644A0E | Fan module kit (external, for AX96410/11 expansion kit) |
| 5946G962000E | Graphics card power cable ATX4P/BTX6 + 2P, L = 200mm |

Packing List

1 x IPC960-525-FL unit
 1 x Screw pack
 4 x Foot pad
 1 x CPU grease
 1 x Terminal block
 1 x Remote power switch cable
 1 x HDD spacer

IPC962-525

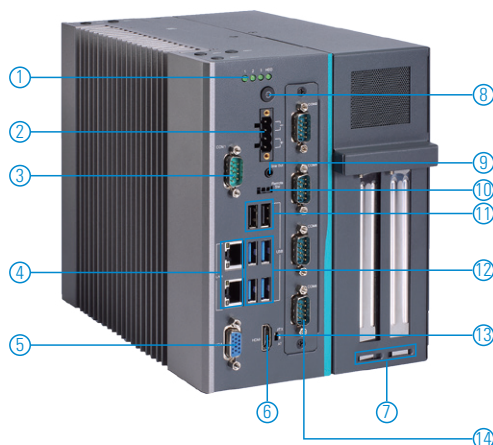
2-slot Industrial System with LGA1151 Socket 9th/8th Gen Intel® Core™ i7/i5/i3 or Celeron® Processor, Intel® H310/Intel® Q370, and Front-access I/O, PCIe and PCI Slots

Features

- LGA1151 socket 9th/8th gen Intel® Core™ processor, up to 65W
- NVIDIA® GPU card, up to 125W
- Supports NVIDIA® Tesla T4 GPU Card
- M.2 Key B slot for 5G wireless connection (optional)
- Supports RAID 0,1(Intel® Q370)
- Supports Power-on delay function
- Supports TPM 2.0
- Supports AMT 12 (Intel® Q370)



▲ Rear view



- 1 x HDD/SSD access LED and 3 x user's LED
- 4-pin terminal block
- RS-232/422/485 (default RS-232)
- 2 x LAN
- VGA
- HDMI
- Expansion interface
(1) AX96205
(2) AX96206
(3) AX96207
- Switch for power on/off w/LED
- Line-out
- Remote switch
- 2 x USB 2.0
- Intel®H310: 4 x USB 3.1 Gen1
Intel®Q370: 4 x USB 3.1 Gen2
- 1 x AT/ATX switch
- Extension system I/O module
(1) AX93511
(2) AX93512
(3) AX93516
(4) AX93519
(5) Blank I/O cover

Specifications

| | | | |
|-----------------------------|---|--|--|
| Standard Color | Silver & black | | |
| Construction | Aluminum extrusion heavy-duty cold-rolled steel | | |
| Processor System | CPU Level | 9th/8th gen Intel® Core™ processor, up to 65W* | |
| | Chipset | Intel® H310/Intel® Q370 | |
| System Memory | 2 x DDR4-2666/2400 MT/s un-buffered SO-DIMM, up to 64GB | | |
| System I/O | Ethernet | 2 x 10/100/1000 Mbps Ethernet (Intel® i211-AT & i219-LM) | |
| | Serial | 1 x RS-232/422/485 (default RS-232, COM1) | |
| | USB | Intel®H310: | 4 x USB 3.1 Gen1 2 x USB 2.0 1 x USB 2.0 (internal, 180D type A for license key, up to 30mm) |
| | | Intel®Q370: | 4 x USB 3.1 Gen2 2 x USB 2.0 1 x USB 2.0 (internal, 180D type A for license key, up to 30mm) |
| | Display | 1 x VGA 1 x HDMI | |
| | Audio | 1 x Line-out | |
| | Others | 1 x Switch for power on/off w/LED (ATX) 1 x Remote switch 1 x 4-pin terminal block 1 x AT/ATX selectable switch | |
| Extension System I/O Module | AX93511 | 4 x RS-232/422/485 module (default RS-232) | |
| | AX93512 | 2 x RS-232/422/485 with isolated 1.5kVDC & 8-in/8-out with isolated 1.5kVDC DIO module | |
| | AX93516 | 4 x RS-232/422/485 with isolated 2kVDC module | |
| | AX93519 | Intel® Q370: 1 x 10/100/1000 Mbps Ethernet, 2 x RS-232/422/485 and 2 x USB 3.1 (1 USB 3.1 Gen2 & 1 USB 2.0 signal) module | |

| | | |
|-----------------------|--|---|
| TPM | TPM 2.0 | |
| Expansion Interface | AX96205 | 1 x PCIe x16 Gen3 + 1 x PCIe x4 Gen3 ** |
| | AX96206 | 1 x PCIe x16 Gen3 + 1 x PCI |
| | AX96207 | 2 x PCI |
| SIM | 1 x SIM slot | |
| | PCIe | Intel® H310: 1 x Full-size PCI Express Mini Card slot (USB interface) |
| | | Intel® Q370: 1 x Full-size PCI Express Mini Card slot (USB & PCIe interface) or 1 x M.2 Key B 3050 socket |
| Storage | Intel® H310: | 2 x 2.5" swappable HDD/SSD (7/9.5 mm height) |
| | Intel® Q370: | 2 x 2.5" swappable HDD/SSD (7/9.5 mm height), supports RAID 0,1 |
| | | 1 x M.2 Key M 2280 socket (PCIe Gen3 x4) for NVMe SSD |
| System Indicators | 1 x HDD/SSD access LED 3 x User's LED | |
| | Power Input | Type: ATX/AT Input: 24 VDC (uMin=19V/uMax=30V) |
| Operating Temperature | -10°C to +60°C (+14°F to +140°F) with 9th/8th gen Intel® Core™ and W.T. HDD/SSD* | |
| Storage Temperature | -20°C to +80°C (-4°F to +176°F) | |
| Humidity | 10% to 90%, non-condensing | |
| Dimensions | 147.5 mm (5.80") (W) x 192 mm (7.54") (H) x 230 mm (9.04") (D) | |
| Weight (net/gross) | 4.382 kg (9.66 lb)/5.346 kg (11.80 lb) | |
| Certifications | CE/FCC | |

* Please refer to the user's manual for the system CPU support list and the system operating temperature list.

**Supports NVIDIA® Tesla T4 GPU card.

Ordering Information

| System | |
|--|---|
| IPC962-525-N-DC-H310 (P/N: E26G962119) | 2-slot industrial system with 9th/8th gen Intel® Core™ processor and Intel® H310, and PCI Express Mini Card slot, w/o Axiomtek logo |
| IPC962-525-N-DC-Q370 (P/N: E26G962114) | 2-slot industrial system with Intel® 9th/8th gen Core™ processor, Intel® Q370, and PCI Express Mini Card slot, w/o Axiomtek logo |
| IPC962-525-N-DC-Q370-5G (P/N: E26G962113) | 2-slot industrial system with Intel® 9th/8th gen Core™ processor, Intel® Q370, and 5G wireless version, w/o Axiomtek logo |

I/O Module & Riser Card

| | |
|--------------------------------|--|
| AX93511 (P/N: 826G9620170E) | 4 x RS-232/422/485 module (default RS-232) |
| AX93512 (P/N: 826G9620200E) | 2 x RS-232/422/485 with isolated 1.5kVDC & 8-in/8-out with isolated 1.5kVDC DIO module |
| AX93516 (P/N: 826G9620180E) | 4 x RS-232/422/485 with isolated 2kVDC module |
| AX93519 (P/N: 826G9620190E) | 1 x 10/100/1000 Mbps (Intel® i211-AT) Ethernet 2 x RS-232/422/485 & 2 x USB 3.1 (1 USB 3.1 Gen2 & 1 USB 2.0 signal) |
| 726G9740690E | Blank I/O cover |
| AX96205 (P/N: 83962051000E) | 1 x PCIe x16 + 1 PCIe x4 expansion card |
| AX96206 (P/N: 83962061000E) | 1 x PCIe x16 + 1 PCI expansion card |
| AX96207 (P/N: 83962071000E) | 2 x PCI expansion card |

Optional

| | |
|--|--|
| 2.5" SATA HDD/SSD | |
| M.2 Key M 2280 (PCIe x4) NVMe SSD | |
| DDR4-2666 MT/s non-ECC SO-DIMM, up to 64GB | |
| 8816G962BA0E | IPC962 fan module kit (internal) |
| 8816G962CA0E | IPC962 fan module kit (external) |
| 8816G9629A0E | NVIDIA® Tesla T4 GPU card fan module kit (for AX96205) |
| 8816G962AA0E | Wall mount bracket kit |
| 50906D24000E | Adaptor 24V/120W, wire only |
| 50906A24000E | Adaptor 24V/230W, wire only |
| 8816G9628A0E | IPC962 license key kit |
| 5946G962000E | Graphics card power cable ATX4P/BTX6 + 2P, L = 200mm |

Power Protection

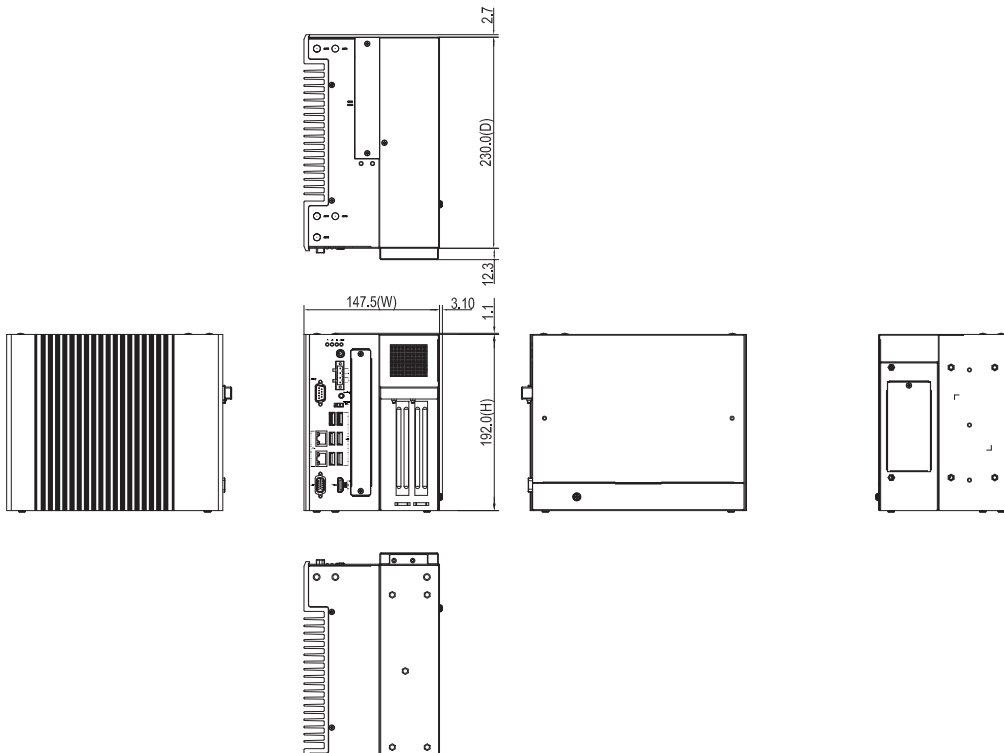
DC Version

OVP (over voltage protection)
OCP (over current protection)
Reverse Protection

Packing List

1 x IPC962-525 unit
1 x Screw pack
4 x Foot pad
1 x CPU grease
1 x Terminal block
1 x Remote power switch cable
1 x Holder bracket kit
1 x HDD spacer

Dimensions



IPC964-525

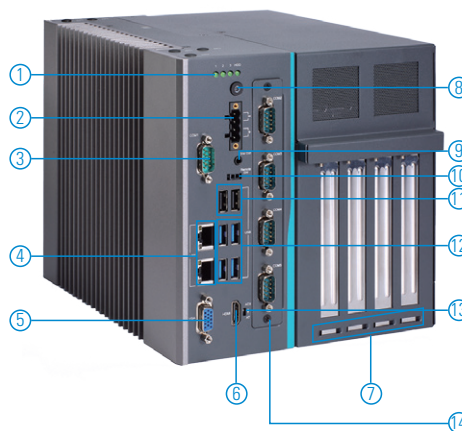
4-slot Industrial System with LGA1151 Socket 9th/8th Gen Intel® Core™ i7/i5/i3 or Celeron® Processor, Intel® Q370, and Front-access I/O, PCIe and PCI Slots

Features

- LGA1151 socket 9th/8th gen Intel® Core™ processor, up to 65W
- NVIDIA® GPU card, up to 125W
- M.2 Key B slot for 5G wireless connection
- Supports RAID 0,1
- Supports Power-on delay function
- Supports TPM 2.0
- Supports AMT 12



▲ Rear view



- 1 x HDD/SSD access LED & 3 x user's LED
- 4-pin terminal block
- RS-232/422/485 (default RS-232)
- 2 x LAN
- VGA
- HDMI
- Expansion interface
(1) AX96410
(2) AX96411
- Switch for power on/off w/LED
- Line-out
- Remote switch
- 2 x USB 2.0
- 4 x USB 3.1 Gen.2
- 1 x AT/ATX switch
- Extension system I/O module
(1) AX93511
(2) AX93512
(3) AX93516
(4) AX93519
(5) Blank I/O cover



Specifications

| | |
|------------------|---|
| Standard Color | Silver & black |
| Construction | Aluminum extrusion heavy-duty cold-rolled steel |
| Processor System | CPU Level 9th/8th gen Intel® Core™ processor, up to 65W* |
| | Chipset Intel® Q370 |
| System Memory | 2 x DDR4-2666/2400 MT/s un-buffered SO-DIMM, up to 64GB |
| System I/O | Ethernet 2 x 10/100/1000 Mbps Ethernet (Intel® i211-AT & i219-LM) |
| | Serial 1 x RS-232/422/485 (default RS-232, COM1) |
| | USB 4 x USB 3.1 Gen2 2 x USB 2.0 1 x USB 2.0 (internal, 180D type A for license key, up to 30mm) |
| | Display 1 x VGA 1 x HDMI |
| | Audio 1 x Line-out |
| | Others 1 x Switch for power on/off w/LED (ATX) 1 x Remote switch 1 x 4-pin terminal block 1 x AT/ATX selectable switch |
| | Extension System I/O Module |
| | AX93512 2 x RS-232/422/485 with isolated 1.5kVDC & 8-in/8-out with isolated 1.5kVDC DIO module |
| | AX93516 4 x RS-232/422/485 with isolated 2kVDC module |
| | AX93519 1 x 10/100/1000 Mbps Ethernet, 2 x RS-232/422/485 and 2 x USB 3.1 (1 USB 3.1 Gen2 & 1 USB 2.0 signal) module |
| TPM | TPM 2.0 |

| | | |
|-----------------------|---|---|
| Expansion Interface | AX96410 | 1 PCIe x16 + 3 PCIe x4 |
| | AX96411 | 1 PCIe x16 + 1 PCIe x4 + 2 PCI 1 x Full-size PCI Express Mini Card slot (USB & PCIe interface) or 1 x M.2 Key B 3050 socket |
| | SIM | 1 x SIM slot |
| Storage | 2 x 2.5" swappable HDD/SSD (7/9.5 mm height), support RAID 0,1 1 x M.2 Key M 2280 socket (PCIe Gen3 x4) for NVMe SSD | |
| System Indicators | 1 x HDD/SSD access LED 3 x User's LED | |
| Power Input | Type: ATX/AT Input: 24 VDC (uMin=19V/uMax=30V) | |
| Operating Temperature | -10°C to +60°C (+14°F to +140°F) with 9th/8th gen Intel® Core™ and W.T. HDD/SSD* | |
| Storage Temperature | -20°C to +80°C (-4°F to +176°F) | |
| Humidity | 10% to 90%, non-condensing | |
| Dimensions | 188.1 mm (7.39") (W) x 192 mm (7.4") (H) x 230 mm (9.04") (D) | |
| Weight (net/gross) | 4.8 Kg (10.56 lb)/5.9 Kg (12.98 lb) | |
| Certifications | CE/FCC | |

* Please refer to the user's manual for the system CPU support list and the system operating temperature list.

Ordering Information

| System | |
|--|--|
| IPC964-525-N-DC-Q370 (P/N: E26G964105) | 4-slot industrial system with Intel® 9th/8th gen Core™ processor, Intel® Q370, and PCI Express Mini Card slot, w/o Axiomtek logo |
| IPC964-525-N-DC-Q370-5G (P/N: E26G964106) | 4-slot industrial system with Intel® 9th/8th gen Core™ processor, Intel® Q370, and 5G wireless version, w/o Axiomtek logo |

| I/O Module & Riser Card | |
|--------------------------------|---|
| AX93511 (P/N: 826G9620170E) | 4 x RS-232/422/485 module (default RS-232) |
| AX93512 (P/N: 826G9620200E) | 2 x RS-232/422/485 with isolated 1.5kVDC & 8-in/8-out with isolated 1.5kVDC DIO module |
| AX93516 (P/N: 826G9620180E) | 4 x RS-232/422/485 with isolated 2kVDC module |
| AX93519 (P/N: 826G9620190E) | 1 x 10/100/1000 Mbps (Intel® i211-AT) Ethernet 2 x RS-232/422/485 & 2 x USB 3.1 (1 USB 3.1 Gen2 & 1 USB 2.0 signal) module |
| 726G9740690E | Blank I/O cover |
| AX96410 (P/N: 83964101000E) | 1 x PCIe x16 + 3 PCIe x4 expansion kit |
| AX96411 (P/N: 83964111010E) | 1 x PCIe x16 + 1 PCIe x4 + 2 PCI expansion kit |

| Optional | |
|--|--|
| 2.5" SATA HDD/SSD | |
| M.2 Key M 2280 (PCIe x4) NVMe SSD | |
| DDR4-2666 MT/s non-ECC SO-DIMM, up to 64GB | |
| 8816G9643A0E | Fan module kit (internal) |
| 8816G9644A0E | Fan module kit (external) |
| 5946G962000E | Graphics card power cable ATX4P/BTX6 + 2P, L = 200mm |
| 8816G962AA0E | Wall mount bracket kit |
| 50906D24000E | Adaptor 24V/120W, wire only |
| 50906A24000E | Adaptor 24V/230W, wire only |

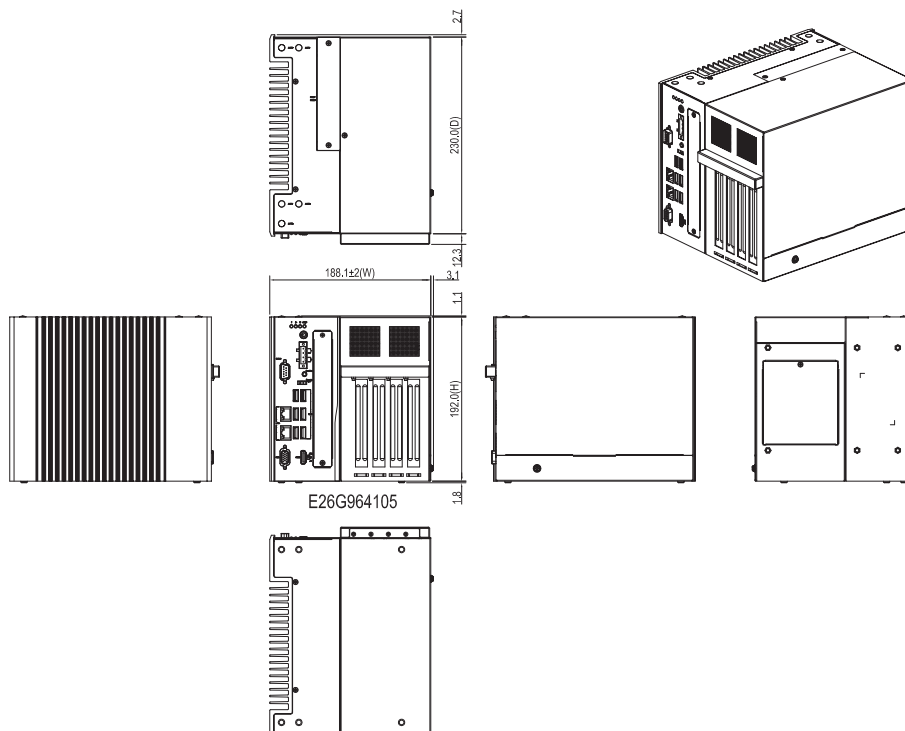
Power Protection

DC Version
 OVP (over voltage protection)
 OCP (over current protection)
 Reverse Protection

Packing List

- 1 x IPC964-525 unit
- 1 x Screw pack
- 4 x Foot pad
- 1 x CPU grease
- 1 x Terminal block
- 1 x Remote power switch cable
- 1 x Holder bracket kit
- 1 x HDD spacer

Dimensions



IPC970 NEW

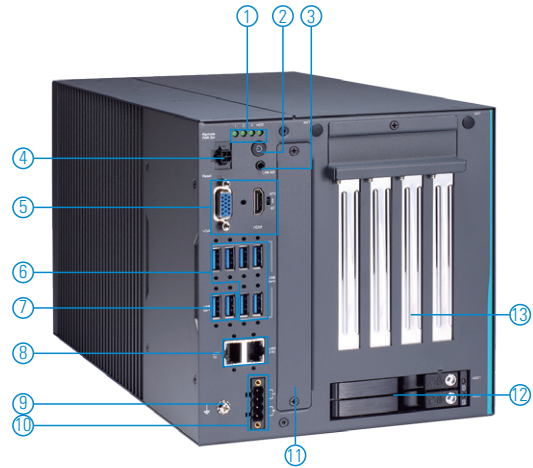
Industrial System with LGA1200 Socket 10th Gen Intel® Xeon® and Core™ i7/i5/i3 Processors, Intel® W480E, Front-access I/O, and PCIe Slots

Features

- 10th Gen Intel® Xeon® and Core™ i7/i5/i3 processors, up to 80W
- Intel® W480E chipset
- Supports NVIDIA® GeForce RTX 3090 graphics card
- Supports M.2 Key B slot for 5G wireless connection
- Supports M.2 Key E slot for Wi-Fi connection
- Supports power-on delay function
- Supports TPM 2.0
- Supports Intel® AMT



▲ Rear view



- 1 x HDD/SSD access LED & 3 x user's LED
- Power on/off button w/LED
- Line-out
- Remote power switch & Reset switch
- VGA, HDMI & AT/ATX selectable switch
- 6 x USB 3.2 Gen.2
- 2 x USB 3.2 Gen.1
- 2 x LAN
- Ground terminal
- 4-pin terminal block
- Flexible system I/O window
 - AX93511
 - AX93512
 - AX93516
 - AX93519
 - Blank I/O cover
- 2 x 2.5" SSD/HDD bay
- Expansion slot



Specifications

| | | |
|------------------|--|---|
| Standard Color | Sliver black | |
| Construction | Aluminum extrusion heavy-duty cold-rolled steel | |
| Processor System | CPU Level | 10th Gen Intel® Xeon® and Core™ i7/i5/i3 processors (Cometlake-S), up to 80W* |
| | Chipset | Intel® W480E |
| System Memory | 4 x DDR4-2933 MT/s ECC or non ECC U-DIMM socket, up to 128GB | |
| System I/O | Ethernet | 1 x Intel® 2.5 Gigabit LAN (Intel® i225-LM) 1 x Intel® Gigabit LAN (Intel® i219-LM) |
| | USB | 6 x USB 3.2 Gen.2 (10G) 2 x USB 3.2 Gen.1 1 x USB 2.0 (internal, 180D type A for license key) |
| | Display | 1 x VGA 1920 x 1200 resolution 1 x HDMI 4096 x 2304 @30Hz |
| | Audio | 1 x Line-out |
| | Others | 1 x Power on/off button w/LED (ATX) 1 x Remote power switch 1 x AT/ATX selectable switch (default ATX mode) 1 x 4-pin terminal block |
| | Flexible System I/O window | AX93511 |
| | AX93512 | 2 x RS-232/422/485 with isolated 1.5kVDC & 8-in/8-out with isolated 1.5kVDC DIO module |
| | AX93516 | 4 x RS-232/422/485 with isolated 2kVDC module |
| | AX93519 | 1 x 10/100/1000 Mbps (Intel® i211-AT) Ethernet, 2 x RS-232/422/485, and 2 x USB 3.0 (USB 2.0 signal) module |
| | Blank I/O cover | |
| TPM | TPM 2.0 | |

| | |
|-----------------------|--|
| Expansion Interface | Slot 1-2: PCIe x8 (x4 signal) |
| | Slot 3: PCIe x16 |
| | Slot 4: blank |
| | 1 x Full-size PCI Express Mini Card slot with SIM slot (USB & PCIe interface) 1 x M.2 Key E 2234 socket 1 x M.2 Key B 3042/3050 socket with SIM slot |
| Storage | 2 x SSD/HDD drive bay (7/9.5mm height, external) 1 x SSD/HDD drive bay (optional, 7/9.5/15mm height, internal) (supports RAID 0,1) 1 x M.2 Key M 2280 socket (PCIe Gen3 x4) for NVMe SSD |
| | System Indicators |
| Power Input | Type: ATX/AT Input: 24 VDC (uMin=19V/uMax=30V) |
| Operating Temperature | -10°C to +70°C (+14°F up to +149°F) with W.T. HDD/SSD* |
| Storage Temperature | -20°C to +80°C (-4°F to +176°F) |
| Humidity | 10% to 90%, non-condensing |
| Dimensions | 190 mm (7.48") (W) x 192 mm (7.55") (H) x 360 mm (14.17") (D) |
| Weight (net/gross) | 9.8 kg/7.3 kg |
| Certifications | CE |
| EOS Support | Windows 10, Linux |
| Software Support | AXView |

*Please refer to the user's manual for the system CPU support list and the system operating temperature list.

Ordering Information

| System | |
|---------------------------------------|--|
| IPC970-10W-F5E1A (P/N: E26G970101) | Industrial system with Intel® W480 PCH, blank flexible I/O cover, and 3 PCIe slots, w/o Axiomtek logo |
| Flexible System I/O Module | |
| AX93511 (P/N: 8816G974EA0E) | 4 x RS-232/422/485 module (default RS-232) |
| AX93512 (P/N: 8816G974FA0E) | 2 x RS-232/422/485 with isolated 1.5kVDC & 8-in/8-out with isolated 1.5kVDC DIO module |
| AX93516 (P/N: 8816G974GA0E) | 4 x RS-232/422/485 with isolated 2kVDC module |
| AX93519 (P/N: 8816G974HA0E) | 1 x 10/100/1000 Mbps (Intel® i211-AT) Ethernet, 2 x RS-232/422/485 & 2 x USB 3.0 (USB 2.0 signal) module |

| Optional Accessory | |
|--------------------------------------|------------------------------|
| 2.5" SATA HDD/SSD | |
| DDR4-2933 MT/s ECC or non ECC U-DIMM | |
| 8816G9702A0E | External fan module kit |
| 8816G9704A0E | Wall mount bracket kit |
| 8816G9703A0E | Internal SSD/HDD bracket kit |
| 886G9701CA0E | Memory holder bracket |

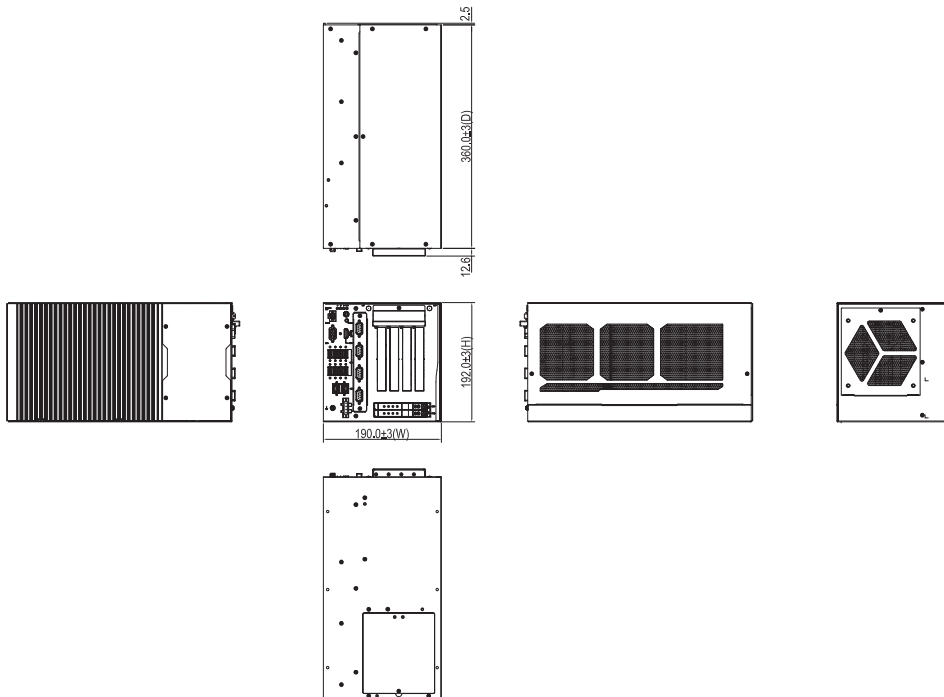
Power Protection

| DC Version |
|-------------------------------|
| OVP (over voltage protection) |
| OCP (over current protection) |
| Reverse Protection |

Packing List

- 1 x IPC970 unit
- 1 x Screw pack
- 4 x Foot pad
- 1 x CPU grease
- 1 x Terminal block
- 1 x Remote power switch cable
- 1 x Extension holder bracket kit
- 1 x HDD spacer
- 2 x graphics card power cable
- 1 x NVMe SSD bracket kit

Dimensions



IPC972 NEW

Industrial System with LGA1200 Socket Intel® Xeon® and 10th Gen Core™ i7/i5/i3 Processors, Intel® W480E, and Front-access I/O and PCIe Slots

Features

- LGA1200 Intel® Xeon® and 10th Gen Core™ i7/i5/i3 processors, up to 80W
- Intel® W480E chipset
- NVIDIA® RTX3090 GPU card
- Supports M.2 Key B slot for 5G wireless connection
- Supports M.2 Key E slot for Wi-Fi connection
- Supports RAID 0,1
- Supports power-on delay function
- Supports TPM 2.0



▲ Rear view



- 1 x SSD/HDD access LED & 3 x user's LED
- Power on/off button w/LED
- Line-out
- Remote switch & reset
- VGA & HDMI & AT/ATX selectable switch
- 6 x USB 3.2 Gen.2, 2 x USB 3.2 Gen.1
- 2 x LAN
- Ground terminal1
- 4-pin terminal block
- Flexible system I/O window
 - (1) AX93511
 - (2) AX93512
 - (3) AX93516
 - (4) AX93519
 - (5) Blank I/O cover
- 2 x 2.5" SSD/HDD drive bay
- 6-pin terminal block for accelerators
- Expansion slot



Specifications

| | | |
|------------------|--|---|
| Standard Color | Sliver black | |
| Construction | Aluminum extrusion heavy-duty cold-rolled steel | |
| Processor System | CPU Level | Intel® Xeon® and 10th Gen Core™ i7/i5/i3 processors (Cometlake-S), up to 80W* |
| | Chipset | Intel® W480E |
| System Memory | 4 x DDR4-2933 MT/s ECC or non ECC U-DIMM socket, up to 128GB | |
| System I/O | Ethernet | 1 x Intel® 2.5 Gigabit LAN (i225-LM) 1 x Intel® 1 Gigabit LAN (i211-AT) |
| | USB | 6 x USB 3.2 Gen.2 (10G) 2 x USB 3.2 Gen.1 1 x USB 2.0 (internal, 180D type A for license key) |
| | Display | 1 x VGA 1920 x 1200 resolution 1 x HDMI 4096 x 2304 @30Hz |
| | Audio | 1 x Line-out |
| | Others | 1 x Power on/off button w/LED (ATX) 1 x Remote power switch 1 x AT/ATX selectable switch (default ATX mode) 1 x 4-pin terminal block |
| | Flexible System I/O Window | AX93511 |
| | AX93512 | 2 x RS-232/422/485 with isolated 1.5kVDC & 8-in/B-out with isolated 1.5kVDC DIO module |
| | AX93516 | 4 x RS-232/422/485 with isolated 2kVDC module |
| | AX93519 | 1 x 10/100/1000 Mbps (Intel® i211-AT) Ethernet, 2 x RS-232/422/485, and 2 x USB 3.0 (USB 2.0 signal) module |
| | Blank I/O cover (default) | |
| TPM | TPM 2.0 | |

| | |
|-----------------------|--|
| Expansion Interface | Slot 1-2: PCIe x8 (x4 signal) |
| | Slot 3 : PCIe x16 |
| | Slot 4: blank |
| | 1 x Full-size PCI Express Mini Card slot with SIM slot (USB & PCIe interface) |
| Storage | 1 x M.2 Key E 2234 socket |
| | 1 x M.2 Key B 3042/3050 socket with SIM slot |
| | 2 x SSD/HDD drive bay (7/9.5mm height, external) 1 x SSD/HDD drive bay (optional, 7/9.5/15mm height, internal) (supports RAID 0,1) 1 x M.2 Key M 2280 socket (PCIe Gen3 x4) for NVMe SSD |
| System Indicators | 1 x HDD/SSD access LED 3 x User's LED |
| Power Input | Type: ATX/AT Input: 24 VDC (uMin=19V/uMax=30V) |
| Operating Temperature | -10°C to +70°C (+14°F up to +149°F) with W.T. HDD/SSD* |
| Storage Temperature | -20°C to +80°C (-4°F to +176°F) |
| Humidity | 10% to 90%, non-condensing |
| Dimensions | 255 mm (10") (W) x 192 mm (7.55") (H) x 360 mm (14.17") (D) |
| Weight (net/gross) | TBC |
| Certifications | CE |

*Please refer to the user's manual for the system CPU support list and the system operating temperature list.

Ordering Information

System

| | |
|-----------------|---|
| IPC972-10W-F5E1 | Industrial system with Intel® W480 PCH, 4 PCIe slots, and blank flexible I/O cover, w/o Axiomtek logo |
|-----------------|---|

Flexible System I/O Module

| | |
|--------------------------------|--|
| AX93511 (P/N: 8816G974020E) | 4 x RS-232/422/485 module (default RS-232) |
| AX93512 (P/N: 8816G974030E) | 2 x RS-232/422/485 with isolated 1.5kVDC & 8-in/8-out with isolated 1.5kVDC DIO module |
| AX93516 (P/N: 8816G974040E) | 4 x RS-232/422/485 with isolated 2kVDC module |
| AX93519 (P/N: 8816G974050E) | 1 x 10/100/1000 Mbps (Intel® i211-AT) Ethernet, 2 x RS-232/422/485 & 2 x USB 3.0 (USB 2.0 signal) module |

Optional Accessory

| | |
|--------------------------------------|------------------------------|
| 2.5" SATA HDD/SSD | |
| DDR4-2933 MT/s ECC or non ECC U-DIMM | |
| 8816G9702A0E | External fan module kit |
| 8816G9704A0E | Wall mount bracket kit |
| 8816G9703A0E | Internal SSD/HDD bracket kit |
| 8816G9700A0E | NVMe SSD bracket kit |

Power Protection

DC Version

| |
|-------------------------------|
| OVP (over voltage protection) |
| OCP (over current protection) |
| Reverse Protection |

Packing List

- 1 x IPC972 unit
- 1 x Screw pack
- 4 x Foot pad
- 1 x CPU grease
- 1 x Terminal block
- 1 x Remote power switch cable
- 1 x Extension holder bracket kit
- 1 x HDD spacer
- 2 x graphics card power cable

iHPC300 NEW

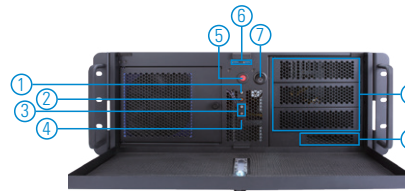
4U Rackmount GPU Workstation with 3rd Generation Intel® Xeon® Scalable Processors, and Multiple Accelerator Cards

Features

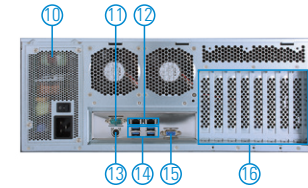
- LGA4189 socket 3rd gen Intel® Xeon® Scalable processors, up to 270W, 40 cores
- 6 DDR4-3200 R-DIMM un-buffered non-ECC/ECC memory, up to 384GB
- PCIe x16 and 3 PCIe x8 in support of up to 6 accelerator cards
- Supports M.2 Key M 2280
- TPM 2.0 supported (optional)



▲ Side view



▲ Front view



▲ Rear view

Specifications

| | | |
|-----------------------|---|--|
| CPU | LGA4189 socket 3rd gen Intel® Xeon® Scalable processors CPU up to 270W, 40 cores (Ice Lake SP) | |
| System Memory | 6 x DDR4-3200 R-DIMM un-buffered non-ECC/ECC memory, up to 384GB | |
| Chipset | Intel® C621A | |
| BIOS | AMI BIOS | |
| Drive Capacity | Exposed 3 x 5.25" HDD drive bay and 1 x 3.5" HDD drive bay Internal 3 x 3.5" HDD drive bay or 2 x 3.5" or 1 x 2.5" | |
| Cooling | 1 x 12cm PWM front fan | |
| Watchdog Timer | 255 levels, 1 to 255 sec. | |
| Expansion Interface | Slot1: PCIe x8 Slot2: PCIe x16 (Gen4) Slot3: M.2 key M 2280 (signal: x4) Slot4: PCIe x16 (Gen4) Slot5: PCIe x8 slot (signal: x0 or x8) Slot6: PCIe x16 (signal: x16 or x8) Slot7: PCIe x8 | |
| Rear I/O | 1 x RS-232/422/485 1 x PS/2 keyboard and mouse | |
| Storage | 6 x SATA3 with RAID 0/1/5/10 1 x NVMe M.2 M Key: 2280 (PCIe x4) | |
| Ethernet | 2 x 10/100/1000Mbps LAN ports with Intel® i210-AT | |
| Audio | HD Codec audio as MIC-in/Line-in/Line-out/Speaker-out with audio kit AX93242 (optional) | |
| USB | 4 x USB 3.1 Gen1 (rear I/O) 2 x USB 3.1 Gen1 (internal box header) 6 x USB 2.0 (internal box header) 1 x USB 2.0 (180D TypeA) | |
| SMBus | System Management Bus for advanced monitoring/control | |
| Digital I/O | 8 channels programmable | |
| Front panel | Indicator | 1 x Power LED 1 x HDD LED 2 x LAN Activity LED 1 x Programmable LED |
| | Controls | 1 x Power Switch 1 x System reset |
| | Connector | 2 x USB 3.1 Gen1 |
| Power Supply Type | • 1200W AC Input voltage: 100 to 240V • 2000W AC Input voltage: 200 to 240V | |
| Graphic | AST2510 | |
| Memory Size | N/A | |
| Display Interface | 1 x VGA | |
| Operation Temperature | 0°C to +40°C (+32°F to +104°F) | |
| Storage Temperature | -20°C to +60°C (-4°F to +140°F) | |
| Humidity | 10% - 95%, non-condensing | |
| OS Support | Windows Server 2019 Linux: Ubuntu 20.04 | |

- | | |
|----------------------------|---------------------------------|
| 1. Power LED | 9. 1 x 3.5" HDD drive bay |
| 2. HDD LED | 10. 1200W or 2000W power supply |
| 3. LAN activity LED | 11. COM port |
| 4. Programmable LED | 12. 2 x LAN |
| 5. System reset | 13. PS/2 Combo Port |
| 6. 2 x USB 3.1 Gen1 | 14. 4 x USB 3.1 Gen1 |
| 7. Power switch | 15. VGA |
| 8. 3 x 5.25" HDD drive bay | 16. Expansion slots |

| | |
|--------------------|--|
| Dimensions | 430 mm (16.9") (W) x 174.8 mm (6.9") (H) x 515mm (20.3") (D) |
| Weight (net/gross) | 17.15 kg (37.8 lb)/ 21.78 kg (48 lb) |
| Certification | CE/FCC |

*Please refer to the user's manual for the system CPU support list and the system operating temperature list.

Ordering Information

System

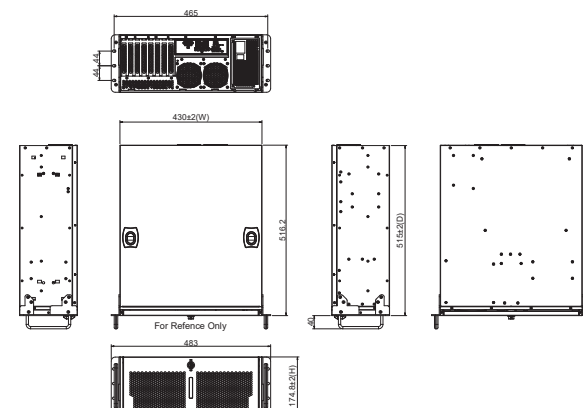
| | |
|---------------------------------------|---|
| iHPC300-C621A-BA (P/N: E26W300100) | 4U rackmount GPU workstation with 3rd gen Intel® Xeon® scalable processors, 1200W, and 3 PCIe x16 |
| iHPC300-C621A-BB (P/N: E26W300101) | 4U rackmount GPU workstation with 3rd gen Intel® Xeon® scalable processors, 2000W, and 3 PCIe x16 |

Optional Accessory

| | |
|--------------|---|
| 5938A808010E | 2 x USB 2.0 cable with bracket, P=2.54 mm, L=190 mm |
| 5938A808020E | 2 x USB 2.0 cable with bracket, P=2.54 mm, L=400 mm |
| 5948C122800E | 2 x USB 3.1 Gen1 cable with bracket, L=400 mm |
| E393242100 | AX93242-RC HD audio converter kit |
| 83935151000E | TPM 2.0 module (AX93515) |
| 593826A0000E | SATA signal cable/red, L=500 mm |
| 713WFB30000E | LGA-4189 CPU cooler for iHPC300 (above 205W TDP) |

* Specifications and certifications may vary based on different requirements.




Dimensions



4

Edge AI Systems

Axiomtek's AIE series of edge AI embedded systems is designed for AI inference, GPU computing, machine learning, image processing, the artificial intelligence of things, and much more. This product line is dedicated to achieving operational excellence, efficiency, reliability in manufacturing, transportation, agriculture, smart city, and retail applications.

| | | |
|---|--|-----|
| Selection Guide | | 101 |
| AIE100-903-FL | Fanless Edge AI System with NVIDIA® Jetson Nano™, HDMI, GbE LAN, GbE PoE, and 2 USB | 104 |
| AIE100-903-FL-NX | Fanless Edge AI System with NVIDIA® Jetson Xavier™ NX, HDMI, GbE LAN, GbE PoE, 2 USB, and Allxon Device Management Solutions | 105 |
|  AIE100-T2NX | Fanless Edge AI System with NVIDIA® Jetson™ TX2 NX, HDMI, GbE LAN, GbE PoE, 2 USB, Allxon Device Management Solutions | 106 |
| AIE500-901-FL | Fanless Edge AI System with NVIDIA® Jetson™ TX2 Series, HDMI, 2 GbE LAN, 2 USB, 2 COM or 2 CAN, and 12 or 24 VDC | 107 |
| AIE800-904-FL | Rugged IP67-rated Fanless Edge AI System with NVIDIA® Jetson Xavier™ NX, HDMI, GbE PoE, USB, and 100 to 240 VAC | 108 |
|  AIE900-902-FL | Fanless Edge AI System with NVIDIA® Jetson AGX Xavier™, 2 HDMI, 2 GbE LAN, 4 GbE PoE, 6 USB, 2 COM or 2 CAN, and 8-CH DI/DO | 109 |
|  AIE900-XXN | Fanless Edge AI System with NVIDIA® Jetson Xavier™ NX, HDMI, GbE LAN, 4 GbE PoE, 8-CH DI/DO, and 2 COM/CAN for 5G and AMR Applications | 110 |

Systems and Platforms

Edge AI Systems

Selection Guide



| Features/Models | AIE100-903-FL | AIE100-903-FL-NX | AIE100-T2NX |
|-----------------------------------|---|--|--|
| CPU Level | NVIDIA® Jetson Nano™ SoM Quad-core ARM® Cortex®-A57 MPCore | NVIDIA® Jetson Xavier™ NX SoM 6-core NVIDIA Carmel ARM®v8.2 64-bit CPU 6MB L2 + 4MB L3 | NVIDIA® Jetson™ TX2 NX SoM Dual-core NVIDIA Denver 2 64-Bit CPU and Quad- Core Arm® Cortex®-A57 MPCore |
| GPU | 128-core NVIDIA Maxwell™ GPU | 384-core NVIDIA Volta™ GPU with 48 Tensor Cores | 256-core NVIDIA Pascal™ GPU |
| System Memory | 4GB 64-bit LPDDR4 onboard | 8GB 128-bit LPDDR4x onboard | 4 GB 128-bit LPDDR4 onboard |
| Chipset | SoM integrated | SoM integrated | SoM integrated |
| Serial | N/A | N/A | N/A |
| Display | 1 x HDMI | 1 x HDMI | 1 x HDMI |
| Ethernet | 1 x 10/100/1000 Mbps Ethernet 1 x 10/100/1000 Mbps PoE | 1 x 10/100/1000 Mbps Ethernet 1 x 10/100/1000 Mbps PoE | 1 x 10/100/1000 Mbps Ethernet 1 x 10/100/1000 Mbps PoE |
| USB | 1 x USB 3.1 Gen1 1 x USB 2.0 1 x Micro USB | 1 x USB 3.1 Gen2 1 x USB 2.0 1 x Micro USB | 1 x USB 3.1 Gen1 1 x USB 2.0 1 x Micro USB |
| Expansion Interface | 1 x Full-size PCI Express Mini Card slot (USB + PCIe) 1 x SIM slot | 1 x Full-size PCI Express Mini Card slot (USB + PCIe) 1 x SIM slot | 1 x Full-size PCI Express Mini Card slot (USB + PCIe) 1 x SIM slot |
| Storage | Onboard 16GB eMMC (built-in Nano) 1 x M.2 Key M 2280 with PCIe x4 NVMe SSD slot 1 x Micro SD slot | Onboard 16GB eMMC (built-in Xavier NX) 1 x M.2 Key M 2280 with PCIe x4 NVMe SSD slot 1 x Micro SD slot | Onboard 16GB eMMC (built-in TX2 NX) 1 x M.2 Key M 2280 with PCIe x4 NVMe SSD slot 1 x Micro SD slot |
| Watchdog Timer | Built-in Nano | Built-in Xavier NX | Built-in TX2 NX |
| Power Supply | 12 VDC | 12 VDC | 12 VDC |
| Operating Temperature | -30°C to +60°C (-22°F to +140°F) | -30°C to +50°C (-22°F to +122°F) | -30°C to +60°C (-22°F to +140°F) |
| Mounting | Wall mount DIN-rail VESA mount | Wall mount DIN-rail VESA mount | Wall mount DIN-rail VESA mount |
| Dimensions (W x D x H) | 148.6 x 129.8 x 34.6 mm (5.85" x 5.11" x 1.36") | 148.6 x 129.8 x 34.6 mm (5.85" x 5.11" x 1.36") | 148.6 x 129.8 x 34.6 mm (5.85" x 5.11" x 1.36") |
| Weight (net/gross) | 1 kg (2.20lb)/1.6 kg (3.52lb) | 1 kg (2.20lb)/1.6 kg (3.52lb) | 1 kg (2.20lb)/1.6 kg (3.52lb) |
| Certifications | CE, FCC Class A | CE, FCC Class A | CE, FCC Class A |
| EOS Support | Linux Ubuntu 18.04 | Linux Ubuntu 18.04 | Linux Ubuntu 18.04 |



Industrial Systems

Edge AI Systems

Selection Guide



| Features/Models | AIE500-901-FL | AIE800-904-FL | AIE900-902-FL |
|-----------------------------------|---|--|---|
| CPU Level | NVIDIA® Jetson™ TX2 SoM HMP Dual Denver 2/2 MB L2 + Quad ARM® A57/2 MB L2 | NVIDIA® Jetson Xavier™ NX SoM 6-core NVIDIA Carmel ARMv8.2 64-bit CPU, 6MB L2 + 4MB L3 | NVIDIA® Jetson AGX Xavier™ SoM 8-core Carmel ARM v8.2 64-bit CPU, 8MB L2 + 4MB L3 |
| GPU | 256-core NVIDIA Pascal™ GPU | 384-core NVIDIA Volta™ GPU with 48 Tensor Cores | 512-core NVIDIA Volta™ GPU with 64 Tensor Cores |
| System Memory | 8GB 128-bit LPDDR4 onboard | 8GB 128-bit LPDDR4x onboard | 32GB 256-bit LPDDR4x onboard |
| Chipset | SoM integrated | SoM integrated | SoM integrated |
| Serial | 2 x RS-232 default (or 2 x CAN by jumper settings) | N/A | 2 x RS-232 default (or 2 x CAN by jumper settings) |
| Display | 1 x HDMI | 1 x HDMI | 2 x HDMI (lockable) |
| Ethernet | 2 x 10/100/1000 Mbps Ethernet | 1 x 10/100/1000 Mbps PoE (M12, 30W) | 2 x 10/100/1000 Mbps Ethernet 4 x 10/100/1000 Mbps PoE |
| USB | 2 x USB 3.1 Gen1 1 x Micro USB | 1 x USB 2.0 | 2 x USB 3.1 Gen2 2 x USB 3.1 Gen1 2 x USB 2.0 1 x Micro USB |
| Expansion Interface | 1 x Full-size PCI Express Mini Card slot (USB + PCIe) 1 x SIM slot | 1 x Full-size PCI Express Mini Card slot (USB + PCIe) 1 x SIM slot | 1 x Full-size PCI Express Mini Card slot (USB + PCIe) 1 x M.2 Key E 2230 slot 1 x SIM slot |
| Storage | Onboard 32GB eMMC (built-in TX2) 1 x M.2 Key M 2280 with PCIe x1 and SATA SSD slot 1 x Micro SD slot | Onboard 16GB eMMC (built-in Xavier™ NX) 1 x M.2 Key B 2242 with PCIe x2 NVMe SSD slot | Onboard 32GB eMMC (built-in AGX Xavier) 1 x M.2 Key M 2280 with PCIe x4 NVMe SSD slot 1 x Micro SD slot 1 x 2.5" SSD/HDD drive bay |
| Watchdog Timer | Built-in TX2 | Built-in Xavier NX | Built-in AGX Xavier |
| Power Supply | 12 or 24 VDC | 100 to 240 VAC with 10kV SPD | 24 VDC default (9 to 36 VDC without PoE feature by option) |
| Operating Temperature | -30°C to +60°C (-22°F to +140°F) | -30°C to +50°C (-22°F to +122°F) | -30°C to +50°C (-22°F to +122°F) |
| Mounting | Wall mount DIN-rail VESA mount | Wall mount VESA mount | Wall mount DIN-rail VESA mount |
| Dimensions (W x D x H) | 171 x 110 x 57 mm (6.73" x 4.33" x 2.24") | 366.8 x 235 x 83.8 mm (14.44" x 9.25" x 3.3") | 239 x 185.3 x 79.4 mm (9.41" x 7.3" x 3.13") |
| Weight (net/gross) | 1.2 kg (2.64 lb)/1.7 kg (3.75 lb) | 4.13kg (9.11lb)/5.5kg (12.13lb) | 2.8kg (6.17lb)/3.45kg (7.61lb) |
| Certifications | CE, FCC Class A | CE, FCC Class A | CE, FCC Class A |
| EOS Support | Linux Ubuntu 18.04 | Linux Ubuntu 18.04 | Linux Ubuntu 18.04 |

NEW



| Features/Models | AIE900-XNX |
|-----------------------------------|---|
| CPU Level | NVIDIA® Jetson Xavier™ NX SoM 6-core NVIDIA Carmel ARMv8.2 64-bit CPU 6MB L2 and 4MB L3 |
| GPU | 384-core NVIDIA Volta™ GPU with 48 Tensor Cores |
| System Memory | 8GB 128-bit LPDDR4x onboard |
| Chipset | SoM integrated |
| Serial | 2 x DB9 for RS-232/422/485/CAN (selected by jumper setting) |
| Display | 1 x HDMI (lockable) |
| Ethernet | 1 x 10/100/1000 Mbps Ethernet 4 x 10/100/1000 Mbps PoE |
| USB | 2 x USB 3.1 Gen2 1 x Micro USB |
| Expansion Interface | 1 x MIPI CSI-2 connector 1 x Full-size PCI Express Mini Card slot (USB + PCI Express signal) 1 x M.2 Key B 3050/3042 5G slot 1 x SIM slot |
| Storage | Onboard 16GB eMMC (via Jetson Xavier™ NX) 1 x M.2 Key M 2280 with PCIe x4 NVMe SSD slot 1 x Micro SD slot |
| Watchdog Timer | Dual watchdog timer |
| Power Supply | 9 to 36 VDC (ignition power control by option) |
| Operating Temperature | -30°C to +60°C (-22°F to +140°F) |
| Mounting | Wall mount DIN-rail VESA mount |
| Dimensions (W x D x H) | 239 x 185.3 x 79.4 mm (9.41" x 7.3" x 3.13") |
| Weight (net/gross) | 2.8kg (6.17lb)/3.45kg (7.61lb) |
| Certifications | CE, FCC Class A |
| EOS Support | Linux Ubuntu 18.04 |

AIE100-903-FL

Fanless Edge AI System with NVIDIA® Jetson Nano™, HDMI, GbE LAN, GbE PoE, and 2 USB

Features

- NVIDIA® Jetson Nano™ with Maxwell™ GPU architecture with 128 NVIDIA CUDA® cores
- High AI computing performance for GPU-accelerated processing
- Ideal for edge AI smart city applications
- Optional IP42 cover kit for semi-outdoor applications
- Supports one 15W GbE PoE for camera
- Wide operating temperature from -30°C to +60°C
- JetPack supported

NVIDIA® Jetson Nano™ will be available until 2025*
The official end of life notice will be sent at least 8 months before the last shipment.

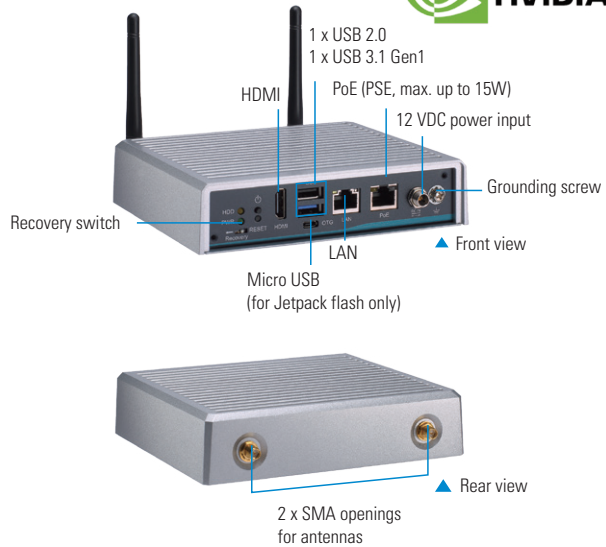


Specifications

| | |
|-----------------------|--|
| Standard Color | Silver |
| Construction | Aluminum extrusion and heavy-duty steel, IP40 (without IP42 cover kit) |
| AI Accelerator | NVIDIA® Jetson Nano™ |
| CPU | Quad-core ARM® Cortex®-A57 MPCore processor |
| GPU | 128-core NVIDIA Maxwell™ GPU |
| System Memory | 4GB 64-bit LPDDR4 onboard |
| Carried Board | SBC87903 |
| System I/O Outlet | 1 x HDMI 2.0 with 4K2K supported 1 x 10/100/1000 Mbps Ethernet (Via Jetson Nano™) 1 x 10/100/1000 Mbps PoE (Intel® i210-IT ;max. up to 15W) 1 x USB 3.1 Gen1, 1 x USB 2.0 1 x Micro USB for image flash 1 x Recovery switch 1 x Reset button 1 x Power button 1 x 12 VDC power input connector 2 x SMA-type antenna connector |
| Watchdog Timer | Built-in Nano |
| Storage | Onboard 16GB eMMC (via Jetson Nano™) 1 x M.2 Key M 2280 with PCIe x4 NVMe SSD slot 1 x Micro SD slot *The bootable device is supported by eMMC only |
| Expansion Interface | 1 x Full-size PCI Express Mini Card slot (USB + PCI Express signal) 1 x SIM slot |
| System Indicator | 1 x Green LED for system power-on 1 x Yellow LED for M.2 storage |
| Power Supply | 12 VDC screw type |
| Operating Temperature | -30°C to +60°C (-22°F to +140°F) |
| Humidity | 10% - 95%, non-condensing |
| Vibration Endurance | 3 Grms with M.2 (5 to 500Hz, X, Y, Z directions) |
| Dimensions | 148.6 mm (5.85") (W) x 129.8 mm (5.11") (D) x 34.6 mm (1.36") (H) |
| Weight (net/gross) | 1 kg (2.20lb)/1.6 kg (3.52lb) |
| Certifications | CE, FCC Class A |
| OS Support | Linux Ubuntu 18.04 |

Packing List

- 1 x Screw pack
- 4 x Foot pad



Power Protection

AC to DC Adapter

- OVP (over voltage protection)
- OCV (over current protection)
- UVP (under voltage protection)
- SCP (short circuit protection)

Ordering Information

Standard

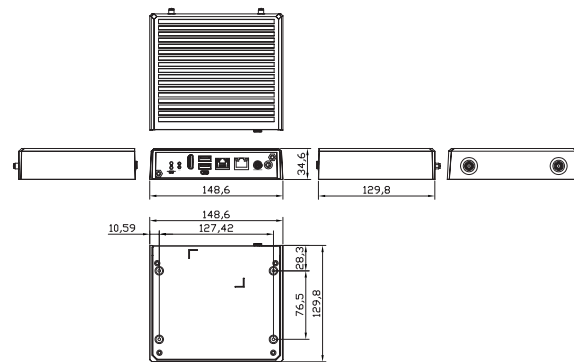
| | |
|---------------|---|
| AIE100-903-FL | Fanless edge AI system with NVIDIA® Jetson Nano™ SoM, 1 HDMI, 1 GbE LAN, 1 GbE PoE, and 2 USB |
|---------------|---|

Optional

| | |
|-----------------------------|-----------------|
| Wall mount kit | |
| DIN-rail kit | |
| VESA mount kit | |
| M.2 NVMe SSD 128GB or above | |
| LTE module | |
| Wi-Fi module | |
| Power cord | |
| IP42 cover kit | |
| 50966124050E | 12V/60W adapter |

* Specifications and certifications may vary based on different requirements.

Dimensions



AIE100-903-FL-NX

Fanless Edge AI System with NVIDIA® Jetson Xavier™ NX, HDMI, GbE LAN, GbE PoE, 2 USB, and Allxon Device Management Solutions

Features

- NVIDIA® Jetson Xavier™ NX with Volta™ GPU architecture with 384 NVIDIA CUDA® cores
- High AI computing performance for GPU-accelerated processing
- Ideal for edge AI smart city applications
- Supports one 15W GbE PoE for camera
- Wide operating temperature from -30°C to +50°C
- Supports JetPack
- Supports Allxon Device Management Solutions (Allxon DMS)

NVIDIA® Jetson Xavier™ NX will be available until 2026*
The official end of life notice will be sent at least 8 months before the last shipment.



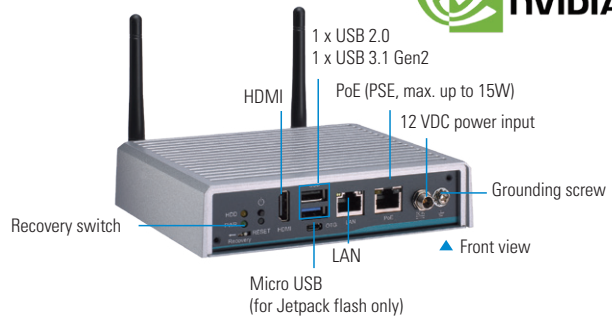
Specifications

| | |
|-----------------------|---|
| Standard Color | Silver |
| Construction | Aluminum extrusion and heavy-duty steel, IP40 (without IP42 cover kit) |
| AI Accelerator | NVIDIA® Jetson Xavier™ NX |
| CPU | 6-core NVIDIA Carmel ARM® v8.2 64-bit CPU 6 MB L2 + 4 MB L3 |
| GPU | 384-core NVIDIA Volta™ GPU with 48 Tensor Cores |
| System Memory | 8GB 128-bit LPDDR4x onboard |
| Carried Board | SBC87903 |
| System I/O Outlet | 1 x HDMI 2.0 with 4K2K supported 1 x 10/100/1000 Mbps Ethernet (Via Jetson Xavier™ NX) 1 x 10/100/1000 Mbps PoE (Intel® i210-IT; max. up to 15W) 1 x USB 3.1 Gen2, 1 x USB 2.0 1 x Micro USB 1 x Recovery switch 1 x Reset button 1 x Power button 1 x 12 VDC power input connector 2 x SMA-type antenna connector |
| Watchdog Timer | Built-in Xavier NX |
| Storage | Onboard 16GB eMMC (via Jetson Xavier™ NX) 1 x M.2 Key M 2280 with PCIe x4 NVMe SSD slot 1 x Micro SD slot *The bootable device is supported by eMMC only |
| Expansion Interface | 1 x Full-size PCI Express Mini Card slot (USB + PCI Express signal) 1 x SIM slot |
| System Indicator | 1 x Green LED for system power-on 1 x Yellow LED for M.2 storage |
| Power Supply | 12 VDC screw type |
| Operating Temperature | -30°C to +50°C (-22°F to +122°F) |
| Humidity | 10% - 95%, non-condensing |
| Vibration Endurance | 3 Grms with M.2 (5 to 500Hz, X, Y, Z directions) |
| Dimensions | 148.6 mm (5.85") (W) x 129.8 mm (5.11") (D) x 34.6 mm (1.36") (H) |
| Weight (net/gross) | 1 kg (2.20lb)/1.6 kg (3.52lb) |
| Certifications | CE, FCC Class A |
| OS Support | Linux Ubuntu 18.04 |

Remote Management Enrollment

Enroll in 24/7 secure service to get full feature of remote device management on one centralized cloud portal – Allxon Portal

*Enrollment Page: https://allxon.com/jetson/device_enroll/



Packing List

- 1 x Screw pack
- 4 x Foot pad

Power Protection

DC Version

- OVP (over voltage protection)
- OCV (over current protection)
- UVP (under voltage protection)
- SCP (short circuit protection)

Ordering Information

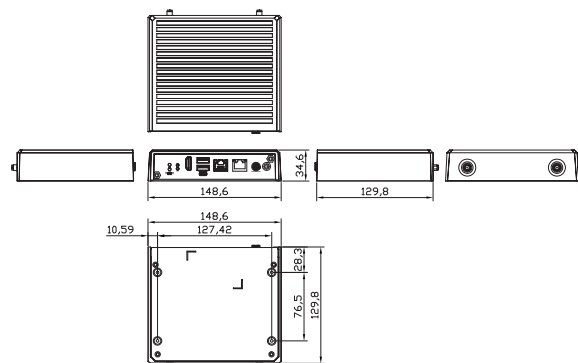
| Standard | |
|------------------|--|
| AIE100-903-FL-NX | Fanless edge AI system with NVIDIA® Jetson Xavier™ NX SoM, 1 HDMI, 1 GbE LAN, 1 GbE PoE, and 2 USB |

Optional

| |
|-----------------------------|
| Wall mount kit |
| DIN-rail kit |
| VESA mount kit |
| M.2 NVMe SSD 128GB or above |
| LTE module |
| Wi-Fi module |
| Power cord |
| 50966124050E |
| 12V/60W adapter |

* Specifications and certifications may vary based on different requirements.

Dimensions



AIE100-T2NX NEW

Fanless Edge AI System with NVIDIA® Jetson™ TX2 NX, HDMI, GbE LAN, GbE PoE, 2 USB, and Allxon Device Management Solutions

Features

- NVIDIA® Jetson™ TX2 NX with Pascal™ architecture GPU with 256 CUDA cores
- High AI computing performance for GPU-accelerated processing
- Ideal for edge AI smart city applications
- Supports one 15W GbE PoE for camera
- Wide operating temperature from -30°C to +60°C
- Supports JetPack
- Supports Allxon Device Management Solutions (Allxon DMS)

NVIDIA® Jetson™ TX2 NX will be available until 2026*
The official end of life notice will be sent at least 8 months before the last shipment.



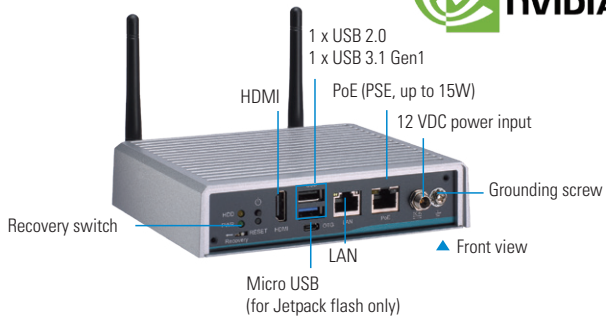
Specifications

| | |
|-----------------------|--|
| Standard Color | Silver |
| Construction | Aluminum extrusion and heavy-duty steel, IP40 (without IP42 cover kit) |
| AI Accelerator | NVIDIA® Jetson™ TX2 NX |
| CPU | Dual-Core NVIDIA Denver 2 64-Bit CPU and Quad-Core Arm® Cortex®-A57 MPCore processor |
| GPU | 256-core NVIDIA Pascal™ GPU |
| System Memory | 4GB 128-bit LPDDR4 51.2GB/s |
| Carried Board | SBC87903 |
| System I/O Outlet | 1 x HDMI 2.0 with 4K2K supported 1 x 10/100/1000 Mbps Ethernet (Via Jetson™ TX2 NX) 1 x 10/100/1000 Mbps PoE (Intel® i210-IT; max. up to 15W) 1 x USB 3.1 Gen1, 1 x USB 2.0 1 x Micro USB 1 x Recovery switch 1 x Reset button 1 x Power button 1 x 12 VDC power input connector 2 x SMA-type antenna connector |
| Watchdog Timer | Built-in TX2 NX |
| Storage | Onboard 16GB eMMC (via Jetson™ TX2 NX) 1 x M.2 Key M 2280 with PCIe x4 NVMe SSD slot 1 x Micro SD slot *The bootable device is supported by eMMC only |
| Expansion Interface | 1 x Full-size PCI Express Mini Card slot (USB + PCI Express signal) 1 x SIM slot |
| System Indicator | 1 x Green LED for system power-on 1 x Yellow LED for M.2 storage |
| Power Supply | 12 VDC screw type |
| Operating Temperature | -30°C to +60°C (-22°F to +140°F) |
| Humidity | 10% - 95%, non-condensing |
| Vibration Endurance | 3 Grms with M.2 (5 to 500Hz, X, Y, Z directions) |
| Dimensions | 148.6 mm (5.85") (W) x 129.8 mm (5.11") (D) x 34.6 mm (1.36") (H) |
| Weight (net/gross) | 1 kg (2.20lb)/1.6 kg (3.52lb) |
| Certifications | CE, FCC Class A |
| OS Support | Linux Ubuntu 18.04 |

Remote Management Enrollment

Enroll in 24/7 secure service to get full feature of remote device management on one centralized cloud portal – Allxon Portal

*Enrollment Page: https://allxon.com/jetson/device_enroll/



Packing List

- 1 x Screw pack
- 4 x Foot pad

Power Protection

AC Version

- OVP (over voltage protection)
- OCP (over current protection)
- SCP (short circuit protection)

Ordering Information

Standard

| | |
|------------------|---|
| AIE100-T2NX-1L1P | Fanless edge AI system with NVIDIA® Jetson™ TX2 NX SoM, 1 HDMI, 1 GbE LAN, 1 GbE PoE, and 2 USB |
|------------------|---|

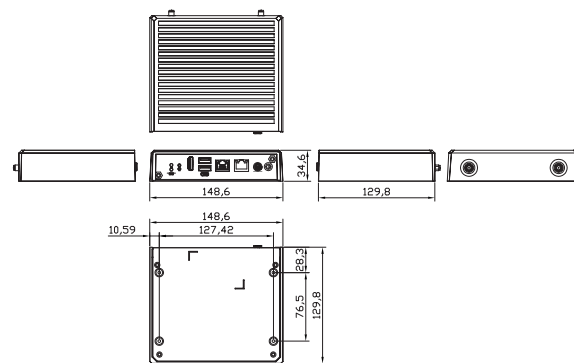
Optional

- Wall mount kit
- DIN-rail kit
- VESA mount kit
- M.2 NVMe SSD 128GB or above
- LTE module
- Wi-Fi module
- Power cord

| | |
|--------------|-----------------|
| 50966124050E | 12V/60W adapter |
|--------------|-----------------|

* Specifications and certifications may vary based on different requirements.

Dimensions



AIE500-901-FL

Fanless Edge AI System with NVIDIA® Jetson™ TX2 Series, HDMI, 2 GbE LAN, 2 USB, 2 COM or 2 CAN, and 12 or 24 VDC

Features

- NVIDIA® Jetson™ TX2 with Pascal™, 256 CUDA cores GPU
- High performance AI computing for GPU-accelerated processing
- Ideal for intelligent edge applications, machine learning, and computer vision
- Supports M.2 PCIe, SATA SSD, and MicroSD slots
- Supports 2 USB 3.1 Gen 1 and 2 COM or 2 CAN
- Wide operating temperature from -30°C to +60°C
- Supports JetPack

NVIDIA® Jetson™ TX2 will be available until 2025*

The official end of life notice will be sent at least 8 months before the last shipment.

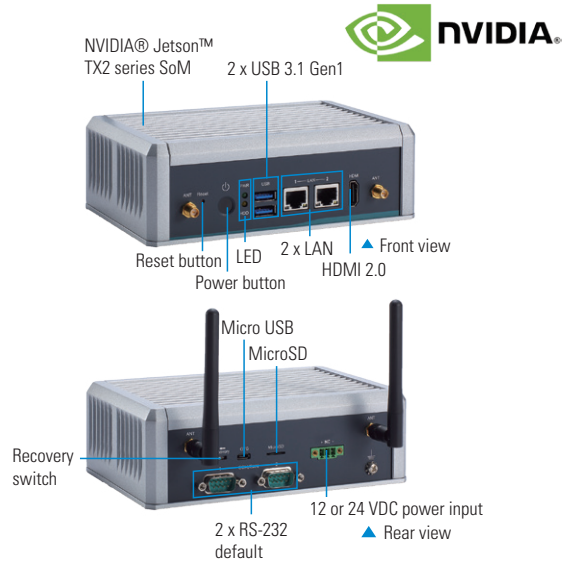


Specifications

| | |
|-----------------------|--|
| Standard Color | Silver |
| Construction | Aluminum extrusion and heavy-duty steel, IP40 |
| AI Accelerator | NVIDIA® Jetson™ TX2 |
| CPU | HMP Dual Denver 2/2 MB L2 + Quad ARM® A57/2 MB L2 |
| GPU | NVIDIA® Pascal™, 256 CUDA cores |
| System Memory | 8GB 128-bit LPDDR4@1866 MHz onboard |
| Carried Board | SBC87901 |
| System I/O Outlet | 1 x HDMI 2.0 with 4K2K supported 2 x 10/100/1000 Mbps Ethernet (NVIDIA® + Intel® i210-IT) 2 x USB 3.1 Gen1 1 x Micro USB 2 x RS-232 default (or 2 x CAN by jumper settings) 1 x Recovery switch 1 x Reset button 1 x Power button 1 x 12 or 24 VDC power input connector 4 x SMA-type antenna connector |
| Watchdog Timer | Built-in TX2 |
| Storage | Onboard 32GB eMMC (via Jetson™ TX2 8GB) 1 x M.2 Key M 2280 with PCIe x1 and SATA SSD slot 1 x Micro SD slot *The bootable device is supported by eMMC only |
| Wireless Module | 802.11ac WLAN, Bluetooth onboard (TX2 8GB only) |
| Expansion Interface | 1 x Full-size PCI Express Mini Card slot (USB + PCI Express signal) *Either Mini PCIe connector or Micro USB (select by recovery switch) 1 x SIM slot |
| System Indicator | 1 x Green LED for system power-on 1 x Yellow LED for M.2 storage |
| Power Supply | 12 or 24 VDC |
| Operating Temperature | -30°C to +60°C (-22°F to +140°F) |
| Humidity | 10% - 95%, non-condensing |
| Vibration Endurance | 3 Grms with M.2 (5 to 500Hz, X, Y, Z directions) |
| Dimensions | 171 mm (6.73") (W) x 110 mm (4.33") (D) x 57 mm (2.24") (H) |
| Weight (net/gross) | 1.2kg (2.64lb)/1.7 kg (3.75 lb) |
| Certifications | CE, FCC Class A |
| OS Support | Linux Ubuntu 18.04 |

Packing List

- 1 x Terminal block connector
- 1 x Screw pack
- 4 x Foot pad
- 2 x Antennas for WLAN (TX2 8GB only)



Power Protection

DC Version

- OVP (over voltage protection)
- OCP (over current protection)

Ordering Information

Standard

| | |
|---------------|--|
| AIE500-901-FL | Fanless edge AI system with NVIDIA® Jetson™ TX2 series SoM, 1 HDMI 2.0, 2 GbE LAN, 2 USB, 2 COM or 2 CAN, and 12 or 24 VDC |
|---------------|--|

Optional

| | |
|--------------|------------------|
| 8817H500020E | Wall mount kit |
| 827H5000040E | VESA arm kit |
| 827H5000050E | DIN-rail kit |
| 50956A24040E | 12V, 36W adapter |

M.2 NVMe SSD 128GB or above

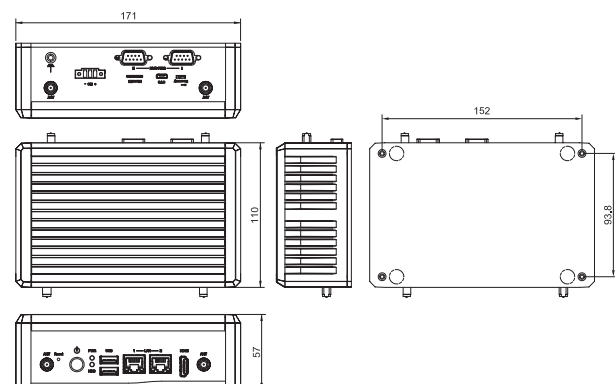
M.2 SATA SSD 128GB or above

LTE module

power cord

* Specifications and certifications may vary based on different requirements.

Dimensions



AIE800-904-FL

Rugged IP67-rated Fanless Edge AI System with NVIDIA® Jetson Xavier™ NX, HDMI, 1 GbE PoE, USB, and 100 to 240 VAC

Features

- IP67-rated design, specifically for outdoor environments
- NVIDIA® Jetson Xavier™ NX with Volta™ GPU architecture with 384 NVIDIA CUDA® cores
- High AI computing performance for GPU accelerated processing
- -30°C to +50°C operating temperature range
- 100 to 240 VAC wide range power input with 10kV surge protection
- 4 N-jack antenna openings with water-proof design
- Features M12 lockable I/Os
- 1 IEEE 802.3at GbE PoE (30W)

NVIDIA® Jetson Xavier™ NX will be available until 2026*
The official end of life notice will be sent at least 8 months before the last shipment.



Specifications

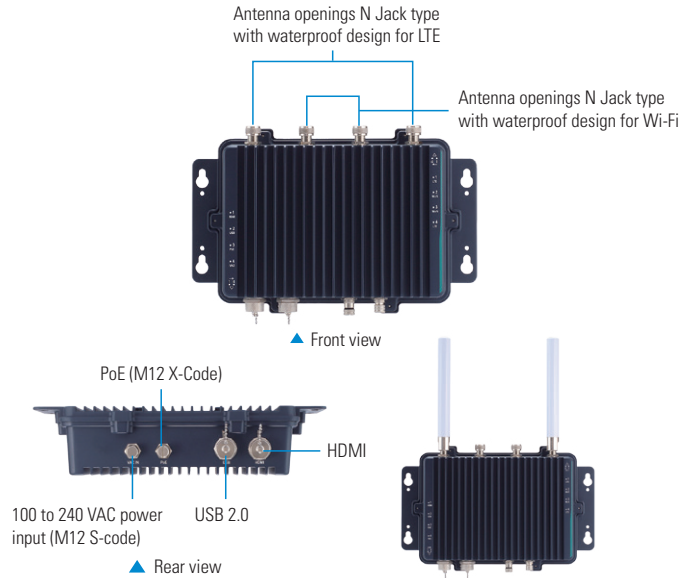
| | |
|-----------------------|---|
| Standard Color | Black |
| Construction | Aluminum die-casting and heavy-duty steel, IP67 |
| AI Accelerator | NVIDIA® Jetson Xavier™ NX |
| CPU | 6-core NVIDIA Carmel ARM® v8.2 64-bit CPU 6 MB L2 + 4 MB L3 |
| GPU | 384-core NVIDIA Volta™ GPU with 48 Tensor Cores |
| System Memory | 8GB 128-bit LPDDR4x onboard |
| System I/O Outlet | 1 x C3 USB 2.0 1 x M12 X-Code GbE PoE (IEEE 802.3at) (30W) 1 x C3 HDMI with FHD supported 1 x M12 S-Code 3-pos AC in power input 4 x N-jack antenna opening with water proof design |
| Watchdog Timer | Built-in Xavier NX |
| Storage | Onboard 16GB eMMC (via Jetson Xavier™ NX) 1 x M.2 Key B 2242 with PCIe x2 NVMe SSD slot *The bootable device is supported by eMMC only |
| Expansion Interface | 1 x Full-size PCI Express Mini Card slot (USB + PCI Express signal) 1 x SIM slot |
| Power Input | 100 to 240 VAC with 10kV SPD |
| Operating Temperature | -30°C to +50°C (-22°F to +122°F) |
| Humidity | 10% - 95% , non-condensing |
| Vibration Endurance | 3 Grms with SSD (5 to 500Hz, X, Y, Z directions) |
| Dimensions | 366.8 mm (14.44") (W) x 235 mm (9.25") (D) x 83.8 mm (3.3") (H) |
| Weight (net/gross) | 4.13 kg (9.11 lb)/5.5 kg (12.13 lb) |
| Certifications | CE, FCC Class A |
| OS Support | Linux Ubuntu 18.04 |

Packing List

- 1 x Screws pack
- 1 x Thermal pad kit

Power Protection

- DC Version**
- OVP (over voltage protection)
 - OCP (over current protection)
 - SCP (short circuit protection)
 - SPD (surge protection device)

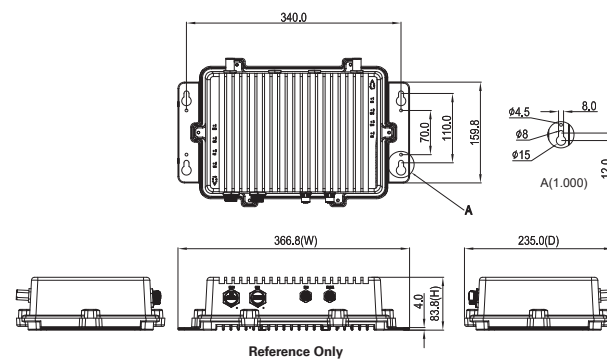


Ordering Information

| Standard | |
|---------------|---|
| AIE800-904-FL | Rugged IP67-rated fanless edge AI system with NVIDIA® Jetson Xavier™ NX, 1 HDMI, 1 GbE PoE, 1 USB, and 100 to 240 VAC power input |
| Optional | |
| M.2 NVMe SSD | 128GB or above |
| 594B8152710E | LAN/PoE cable, 180 cm |
| 594K2303810E | HDMI cable, 100 cm |
| 594K2302810E | USB cable, 200 cm |
| 594K2300A10E | AC power cord, wire only, 180 cm |
| | Wi-Fi module kit |
| | LTE module kit |

* Specifications and certifications may vary based on different requirements.

Dimensions



AIE900-902-FL NEW

Fanless Edge AI System with NVIDIA® Jetson AGX Xavier™, 2 HDMI, 2 GbE LAN, 4 GbE PoE, 6 USB, 2 COM or 2 CAN, and 8-CH DI/DO

Features

- NVIDIA® Jetson AGX Xavier™ with 512-core Volta GPU with 64 Tensor cores GPU
- High AI computing performance for GPU-accelerated processing
- Ideal for intelligent edge applications, AGV, AMR, and computer vision
- Supports M.2 NVMe PCIe x4 SSD slot
- Wide operating temperature from -30°C to +50°C
- Supports JetPack

NVIDIA® Jetson AGX Xavier™ will be available until 2025
The official end of life notice will be sent at least 8 months before the last shipment.

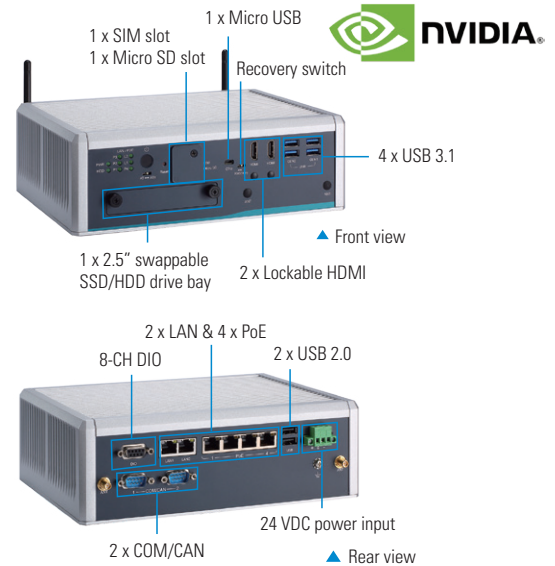


Specifications

| | |
|-----------------------|--|
| Standard Color | Silver |
| Construction | Aluminum extrusion and heavy-duty steel, IP40 |
| AI Accelerator | NVIDIA® Jetson AGX Xavier™ |
| CPU | 8-core Carmel ARM® v8.2 64-bit CPU, 8MB L2 + 4MB L3 |
| GPU | 512-Core NVIDIA Volta™ GPU with 64 Tensor Cores |
| System Memory | 32GB 256-Bit LPDDR4x onboard |
| Carried Board | SBC87902 |
| System I/O Outlet | 2 x Lockable HDMI 2.0 with 4K2K supported 2 x 10/100/1000 Mbps Ethernet (Intel® i210-IT) 4 x 10/100/1000 Mbps PoE (Intel® i210-IT) 2 x USB 3.1 Gen2, 2 x USB 3.1 Gen1, 2 x USB 2.0 1 x Micro USB 1 x 8-CH DI/DO 2 x RS-232 default (or 2 x CAN by jumper settings) 1 x 24 VDC power input connector 4 x SMA-type antenna connector |
| Watchdog Timer | Built-in AGX Xavier |
| Storage | Onboard 32GB eMMC (via Jetson AGX Xavier™) 1 x M.2 Key M 2280 with PCIe x4 NVMe SSD slot 1 x Micro SD slot 1 x 2.5" SSD/HDD drive bay *The bootable device is supported by eMMC only |
| Expansion Interface | 1 x Full-size PCI Express Mini Card slot (USB + PCI Express signal) 1 x M.2 Key E 2230 slot 1 x SIM slot |
| System Indicator | 1 x Green LED for system power-on 1 x Green LED for M.2 storage 2 x Green LED for LAN status 4 x Green LED for PoE status |
| Power Supply | 24 VDC (9 to 36 VDC without PoE feature by option) |
| Operating Temperature | -30°C to +50°C (-22°F to +122°F) |
| Humidity | 10% - 95%, non-condensing |
| Vibration Endurance | 3 Grms with M.2 SSD (5 to 500Hz, X, Y, Z directions) |
| Dimensions | 239 mm (9.41") (W) x 185.3 mm (7.3") (D) x 79.4 mm (3.13") (H) |
| Weight (net/gross) | 2.8kg (6.17lb)/3.45kg (7.61lb) |
| Certifications | CE, FCC Class A |
| OS Support | Linux Ubuntu 18.04 |

Packing List

- 1 x Terminal block connector
- 1 x Screw pack
- 4 x Foot pad
- 1 x M.2 SSD thermal kit



Power Protection

- DC Version
- OVP (over voltage protection)
- OCV (over current protection)
- UVP (under voltage protection)
- Reserve protection

Ordering Information

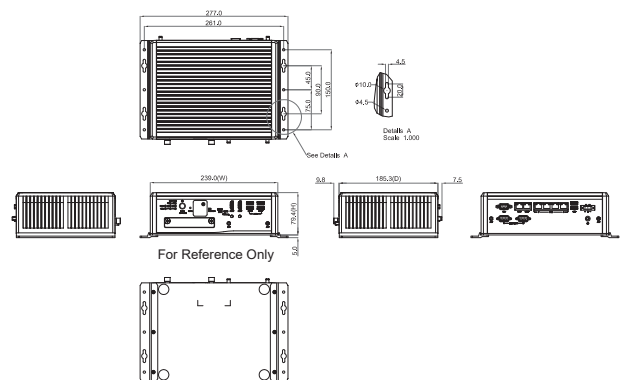
| Standard | |
|---------------|---|
| AIE900-902-FL | Fanless edge AI system with NVIDIA® Jetson AGX Xavier™ SoM, 2 HDMI, 2 GbE LAN, 4 GbE PoE, 6 USB, 2 COM or 2 CAN, and 8-CH DI/DO |

Optional

- Wall mount kit
- DIN-rail kit
- VESA mount kit
- M.2 NVMe SSD 128GB or above
- 2.5" SATA SSD 128GB or above
- LTE module kit
- Wi-Fi module kit
- 24V/230W adapter
- Power cord

* Specifications and certifications may vary based on different requirements.

Dimensions



AIE900-XXN NEW

Fanless Edge AI System with NVIDIA® Jetson Xavier™ NX, 1 HDMI, 1 GbE LAN, 4 GbE PoE, 8-CH DI/DO, and 2 COM/CAN for 5G and AMR Applications

Features

- NVIDIA® Jetson Xavier™ NX with 384-core NVIDIA Volta™ GPU
- 1 M.2 Key B slot for 5G
- Wide power input range of 9 to 36 VDC (ignition by option)
- Supports four PoE for GigE cameras and LiDAR connectivity
- -30°C to +60°C operating temperature range
- Supports device management and optional out-of-band service powered by Allxon
- Optional SerDes FPD-LINK III

NVIDIA® Jetson Xavier™ NX will be available until 2026*
The official end of life notice will be sent at least 8 months before the last shipment.

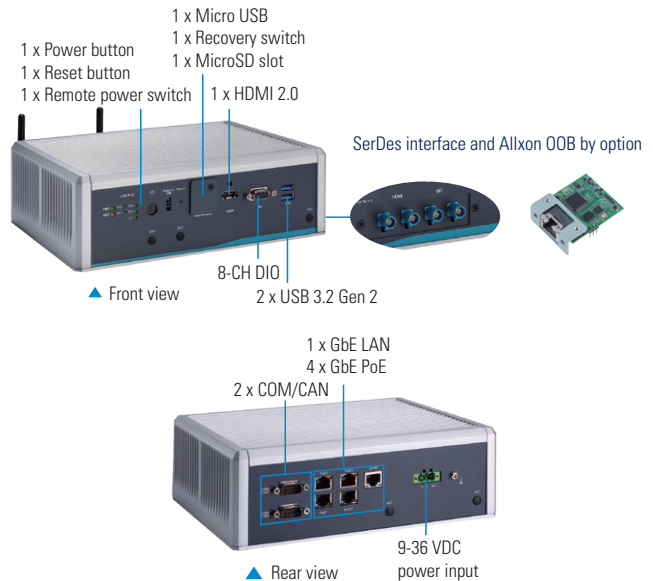


Specifications

| | |
|-----------------------|---|
| Standard Color | Silver |
| Construction | Aluminum extrusion and heavy-duty steel, IP40 |
| AI Accelerator | NVIDIA® Jetson Xavier™ NX |
| CPU | 6-core NVIDIA Carmel ARM® v8.2 64-bit CPU 6 MB L2 + 4 MB L3 |
| GPU | 384-core NVIDIA Volta™ GPU with 48 Tensor Cores |
| System Memory | 8GB 128-bit LPDDR4x onboard |
| Carried Board | PSB905 |
| System I/O Outlet | 1 x Lockable HDMI 2.0 with 4K2K supported 1 x 10/100/1000 Mbps Ethernet (via Jetson Xavier™ NX) 4 x 10/100/1000 Mbps PoE (Intel® i210-IT; up to 30W) 2 x DB9 for RS-232/422/485/CAN (selected by jumper setting) 2 x USB 3.1 Gen2 1 x 8-CH DI/DO 1 x Remote switch and reset button and 1 x power button 1 x Micro USB and 1 x recovery switch (for image update) 1 x 9 to 36 VDC power input connector 5 x SMA-type antenna opening |
| Watchdog Timer | Dual watchdog timer |
| Storage | Onboard 16GB eMMC (via Jetson Xavier™ NX) 1 x M.2 Key M 2280 with PCIe x4 NVMe SSD slot 1 x Micro SD slot *The bootable device is supported by eMMC only |
| Expansion Interface | 1 x MIPI CSI-2 connector (4 x FPD-Link III connector by option) 1 x Full-size PCI Express Mini Card slot (USB + PCI Express signal) 1 x M.2 Key B 3050/3042 slot 1 x SIM slot |
| System Indicator | 1 x Green LED for system power-on 1 x Yellow LED for M.2 storage 1 x Green LED for LAN status 4 x Green LED for GbE PoE status |
| Power Supply | 9 to 36 VDC (ignition power control by option) |
| Operating Temperature | -30°C to +60°C (-22°F to +140°F) |
| Humidity | 10% - 95%, non-condensing |
| Vibration Endurance | 3 Grms with M.2 (5 to 500Hz, X, Y, Z directions) |
| Dimensions | 239 mm (9.41") (W) x 185.3 mm (7.3") (D) x 79.4 mm (3.13") (H) |
| Weight (net/gross) | 2.8kg (6.17lb)/3.45kg (7.61lb) |
| Certifications | CE, FCC Class A |
| OS Support | Linux Ubuntu 18.04 |

Packing List

- 1 x Terminal block connector
- 1 x Screw pack
- 4 x Foot pad
- 1 x M.2 SSD thermal kit
- 1 x 5G module thermal kit



Power Protection

DC Version

- OVP (over voltage protection)
- OCV (over current protection)
- UVP (under voltage protection)
- Reserve protection

Ordering Information

Standard

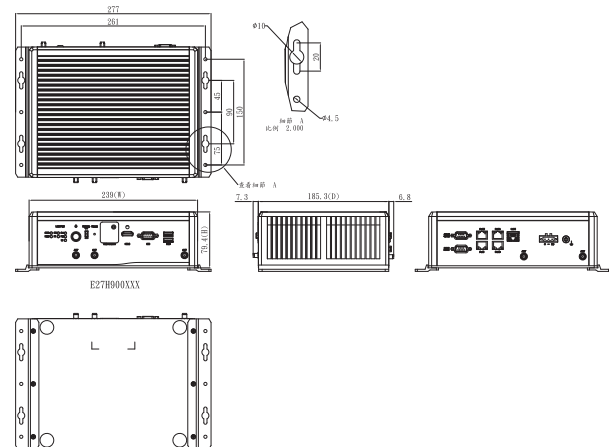
| | |
|-----------------|--|
| AIE900-XXN-1L4P | Fanless edge AI system with NVIDIA® Jetson Xavier™ NX SoM, 1 HDMI, 1 GbE LAN, 4 GbE PoE, 8-CH DI/DO, and 2 COM/CAN |
|-----------------|--|

Optional

| | |
|-----------------------------|---|
| Wall mount kit | LTE module |
| DIN-rail kit | Wi-Fi module |
| VESA mount kit | 5G module |
| M.2 NVMe SSD 128GB or above | Power cord |
| 50906D24000E | Adaptor 24V/120W, wire only, FSP120-AAAN3 |

* Specifications and certifications may vary based on different requirements.


Dimensions



5

Machine Vision Systems

Axiomtek's MVS series is designed to focus on vision inspection, guidance, measurement and identification applications. The products have already gone through a complete set of compatibility experiments to eliminate potential integration problems, significantly helping users reduce development and staffing costs as well as accelerate system deployment in factory automation environment.

| | |
|---|-----|
| Selection Guide | 112 |
|  MVS100-323-FL Mini Vision System with Intel Atom® x5-E3940 Processor, Vision I/O, 2-CH PoE, and 2-CH LED Output | 113 |
| MVS900-511-FL Fanless Vision System with LGA1151 Socket 7th/6th Gen Intel® Core™ i7/i5/i3 or Celeron® Processor, Intel® H110 with Vision I/O, 4-CH PoE, and 4-CH LED Output | 115 |

Systems and Platforms

Machine Vision Systems

Selection Guide



| Features/Models | MVS100-323 | MVS900-511-FL | |
|-------------------------------|---|--|---|
| CPU Level | Intel Atom® x5-E3940 (1.6GHz) | 7th/6th gen Intel® Core™ i7/i5/i3 or Celeron®, up to 65W | |
| System Memory | 1 x DDR3L-1866 SO-DIMM, up to 8GB | 2 x DDR4-2133/2400 un-buffered SO-DIMM, up to 32GB | |
| Chipset | SoC integrated | Intel® H110 | |
| Vision I/O | 2 x Trigger input 2 x Trigger output 2 x LED lighting control 4 x Isolated I/O | 4 x Trigger input 4 x Trigger output 4 x LED lighting control (Strobe/Trigger mode) 2 x Quadrature encoder input 16 x Isolated DIO | |
| Display | 1 x HDMI 1 x VGA | 1 x HDMI 1 x VGA | |
| Audio | N/A | YES | |
| I/O | PoE | 2 x IEEE802.3af GbE LAN port | 4 x IEEE802.3at GbE LAN port |
| | Ethernet | 1 x 10/100/1000 Mbps Ethernet | 2 x 10/100/1000 Mbps Ethernet |
| | USB | 2 x USB 3.2 Gen1 | 4 x USB 3.2 Gen1 |
| | Others | 1 x RS-232/422/485 | 2 x RS-232/422/485 & 8-in/8-out DIO with isolated 1.5 kVDC protection |
| | Expansion Module | N/A | N/A |
| Expansion Interface | N/A | 1 x Full-size PCI Express Mini Card slot with USB interface 1 x Internal USB connector | |
| Storage | 1 x Full-size PCI Express Mini Card slot (mSATA signal) | 2 x Swappable 2.5" HDD (9.5mm height) | |
| TPM | TPM 2.0 | TPM 2.0 | |
| Watchdog Timer | 255 levels, 1 to 255 sec. | 255 levels, 1 to 255 sec. | |
| Power Input | 24 VDC±10% | 24 VDC (uMin=19V/uMax=30V) | |
| Operating Temperature | -10°C to +55°C (+14°F to +131°F) | -10°C to +60°C (+14°F to +140°F) with 6th gen CPU (35W) -10°C to +50°C (+14°F to +122°F) with 7th gen CPU & 6th gen (65W) | |
| Dimensions (W x H x D) | 53.2 x 155 x 110.3 mm (2.09" x 6.1" x 4.34") | 135 x 208 x 230 mm (5.27" x 8.19" x 9.01") | |
| Weight (net/gross) | 0.6kg (1.32lb)/0.9kg (1.98lb) | 5 kg (11.02lb)/5.9 kg (13 lb) | |
| Mounting | Wall mount/Din-rail | Wall mount/Din-rail | |
| Certifications | CE, FCC | CE, FCC | |
| EOS Support | Win 10 64-bit | 6th gen: Win 7 32/64-bit & Win 10 64-bit 7th gen: Win 10 64-bit | |
| Software Support | AXView | AXView | |

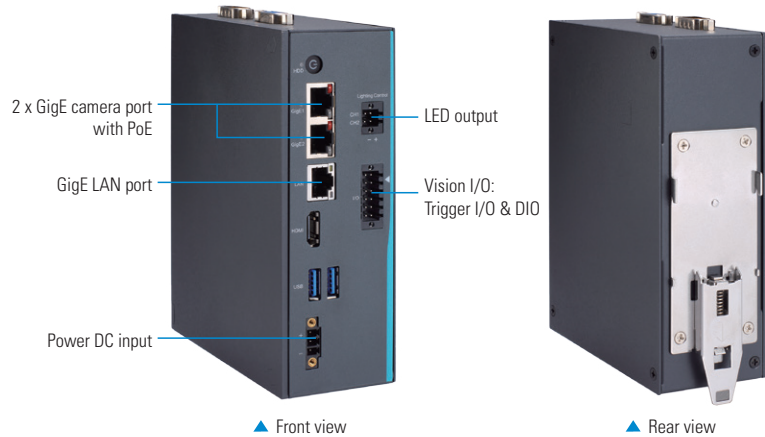


MVS100-323-FL NEW

Mini Vision System with Intel Atom® x5-E3940 Processor, Vision I/O, 2-CH PoE, and 2-CH LED Output

Features

- Integrated real-time vision I/O
 - 2-CH trigger input
 - 2-CH trigger output
 - 2-CH LED lighting control
 - 4-CH isolated DIO
- Supports camera interfaces
 - 2 IEEE802.3af GbE LAN ports (PoE)
- Power input: 24 VDC
- -10°C to +55°C operating temperature range
- Supports TPM 2.0



Specifications

| | |
|------------------|---|
| Standard Color | Black |
| Construction | Extruded aluminum and heavy-duty steel, IP40 |
| Processor System | Intel Atom® x5-E3940 processor (1.6GHz) |
| System Memory | 1 x 204-pin DDR3L-1866 SO-DIMM, up to 8GB |
| System I/O | 1 x Power Switch 1 x 3-pin terminal block (power input) 1 x 10/100/1000 Mbps Ethernet (Intel® i211-AT) 1 x RS-232/422/485 2 x USB 3.2 Gen1 1 x HDMI 1 x VGA 1 x Internal USB connector (optional) |
| TPM | TPM 2.0 |
| Vision I/O | 2-CH trigger input (dry or wet contact, sink/source type, input range: 0 to 30V)* 2-CH trigger output (sink type, open collector, supply voltage: 5 to 30V, 100mA max./CH)** 2-CH LED lighting control (12V/24V, max. 0.5A per CH) 2-CH isolated DI (dry or wet contact, sink/source type, input range: 0 to 30V) 2-CH isolated DO (sink type, open collector, supply voltage: 5 to 30V, 100mA max./CH) Programmable interrupt functions |

*Trigger Input can be configured to DI independently by API

**Trigger Output can be configured to DO independently by API

| | |
|-----------------------|--|
| Camera Interface | 2 x IEEE802.3af GbE LAN port (PoE, Intel® i210-AT, IEEE802.3af compliant, total max. power output 20W) |
| Storage | 1 x Full-size PCI Express Mini Card slot (mSATA signal) |
| System Indicators | 1 x Power LED 1 x HDD LED 2 x PoE power LED |
| Power Input | Type: ATX/AT Input: 24 VDC±10% |
| Operating Temperature | -10°C to +55°C (+14°F to +131°F) |
| Storage Temperature | -20°C to +80°C (-4°F to +176°F) |
| Humidity | 10% to 95%, non-condensing |
| Dimensions | 53.2 mm (2.09") (W) x 155 mm (6.1") (H) x 110.3 mm (4.34") (D) |
| Weight (net/gross) | 0.6 kg (1.32 lb)/0.9 kg (1.98 lb) |
| Certifications | CE, FCC |
| Software Support | AXView |

Ordering Information

System

| | |
|------------------------------------|---|
| MVS100-323-FL (P/N: E27L100100) | Mini vision system with Intel Atom® x5-E3940 processor, vision I/O, 2-CH PoE, and 2-CH LED output |
|------------------------------------|---|

Optional Accessory

| | |
|---------------|-----------------------|
| DDR3L SO-DIMM | |
| mSATA | |
| 8817L1001A0E | MVS100 Wall mount kit |

Power Protection

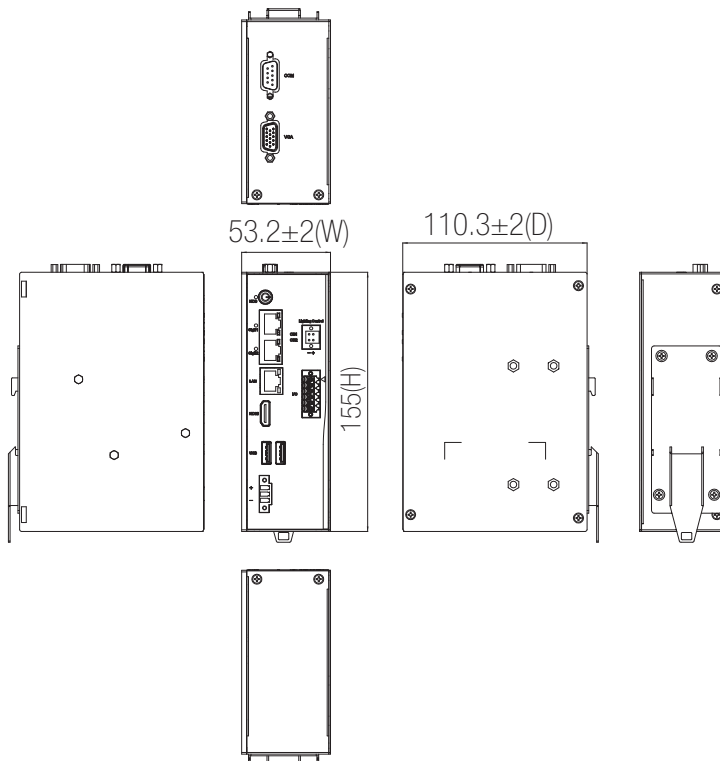
DC Version

| |
|--------------------------------|
| OVP (over voltage protection) |
| SCP (short circuit protection) |
| UVP (under voltage protection) |
| Reverse Protection |

Packing List

- 1 x MVS100-323-FL
- 1 x Screw pack
- 3 x Terminal block
- 1 x DIN-rail kit

Dimensions

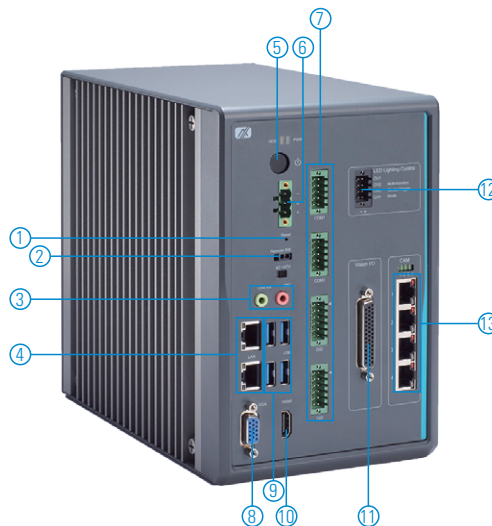


MVS900-511-FL

Fanless Vision System with LGA1151 Socket 7th/6th Gen Intel® Core™ i7/i5/i3 or Celeron® Processor, Intel® H110, Vision I/O, 4-CH PoE, and 4-CH LED Output

Features

- Integrated real-time vision I/O
 - 4-CH trigger input
 - 4-CH trigger output
 - 4-CH LED lighting control
 - 2-CH quadrature encoder input
 - 16-CH isolated DIO
- Supports camera interfaces
 - 4 IEEE802.3at GbE LAN ports (PoE)
- Power input: 24 VDC (uMin=19V/uMax=30V)
- -10°C to +60°C operating temperature range with W.T. SSD
- Supports 2 swappable 2.5" HDD
- Supports TPM 2.0



- | | | |
|----------------------|---|--|
| 1. Reset switch | 7. 2 x RS-232/422/485 | 11. Vision I/O: 4-in/4-out trigger I/O, 8-in/8-out DIO, 2 x encoder |
| 2. Remote switch | 1 x 8-in/8-out DIO with isolated 1.5 kVDC protection | 12. LED lighting control: trigger and strobe mode |
| 3. Mic-in & Line-out | 8. VGA | 13. 4 x IEEE802.3at GbE LAN port |
| 4. 2 x LAN | 9. 4 x USB 3.2 Gen1 | |
| 5. Power switch | 10. HDMI | |
| 6. Terminal block | | |



Specifications

| | |
|------------------|---|
| Standard Color | Black |
| Construction | Aluminum die-casting and heavy-duty, IP40 |
| Processor System | CPU Level 7th/6th gen Intel® Core™ i7/i5/i3 or Celeron® processors, up to 65W (Kaby Lake/Skylake) |
| | Chipset Intel® H110 |
| System Memory | 2 x DDR4-2133/2400 un-buffered SO-DIMM, up to 32GB |
| System I/O | 1 x Switch for power On/Off (ATX) 1 x Remote switch 1 x Reset switch 1 x 3-pin terminal block 1 x AT/ATX selectable switch 2 x 10/100/1000 Mbps Ethernet (Intel® i211-AT) 2 x RS-232/422/485 & 1 x 8-in/8-out DIO with isolated 1.5 kVDC protection 4 x USB 3.2 Gen1 1 x HDMI 1 x VGA 1 x Mic-in 1 x Line-out |
| TPM | TPM 2.0 |
| Vision I/O | 4-CH trigger input (response time<1us, sink type, input range: 0 to 30V) 4-CH trigger output (response time<1us, sink type, open collector, output range: 0 to 30V, 100mA max./CH) 4-CH LED lighting control (strobe mode: 24V, 1A per CH trigger mode: 24V, 0.5A per CH) 2-CH quadrature encoder input (A/B/Z) 8-CH isolated DI (sink/source type, input range: 0 to 30V) 8-CH isolated DO(sink type, open collector, supply voltage: 5-30V, 200mA max./CH) Programmable interrupt functions |

| | |
|-----------------------|--|
| Camera Interface | 4 x IEEE802.3at GbE LAN port (PoE, Intel® i210-AT, IEEE802.3at compliant, total max. power output 30W) |
| Expansion Interface | 1 x Full-size PCI Express Mini Card slot with USB signal 1 x Internal USB connector |
| Storage | 2 x 2.5" swappable HDD (9.5 mm height) |
| System Indicators | 1 x Power LED 1 x HDD LED 4 x PoE power LED |
| Power Input | Type: ATX/AT Input: 24 VDC (uMin=19V/uMax=30V) |
| Operating Temperature | -10°C to +60°C (+14°F to +140°F) with 6th gen Intel® Core™ up to 35W and W.T. HDD/SSD* -10°C to +50°C (+14°F to +112°F) with 6th/7th gen Intel® Core™ up to 65W and W.T. HDD/SSD* |
| Storage Temperature | -20°C to +80°C (-4°F to +176°F) |
| Humidity | 10% to 90%, non-condensing |
| Dimensions | 135 mm (5.31") (W) x 208 mm (8.19") (H) x 230 mm (9.06") (D) |
| Weight (net/gross) | 5 kg (11.02lb)/5.9 kg (13 lb) |
| Certifications | CE, FCC |
| Software Support | AMS.AXview |

* CPU support list please refer to the user's manual

Ordering Information

System

| | |
|------------------------------------|---|
| MVS900-511-FL (P/N: E27L900100) | Fanless vision system with LGA1151 socket 7th/6th gen Intel® Core™ i7/i5/i3 or Celeron® processor, Intel® H110, vision I/O, 4-CH PoE, and 4-CH LED output |
|------------------------------------|---|

Optional Accessory

| | |
|--|--|
| 2.5" SATA HDD/SSD | |
| DDR4-2133/2400 un-buffered SO-DIMM, up to 32GB | |
| 8817L900010E | MVS900-511 usb dongle kit |
| 8817L900020E | MVS900_BK_Din_Kit |
| 8817L900030E | MVS900_Wall-Mount_Kit |
| 5A244AP1200E | 44-pin DIN-rail terminal board DM44-AP12 |
| 594DM443500E | 44-pin D-SUB cable, L=1m WHDM44/1.0-6954 |
| 594DM443510E | 44-pin D-SUB cable, L=2m WHDM44/2.0-6954 |
| 594DM443520E | 44-pin D-SUB cable, L=3m WHDM44/3.0-6954 |

* Specifications and certifications may vary based on different requirements.

Power Protection

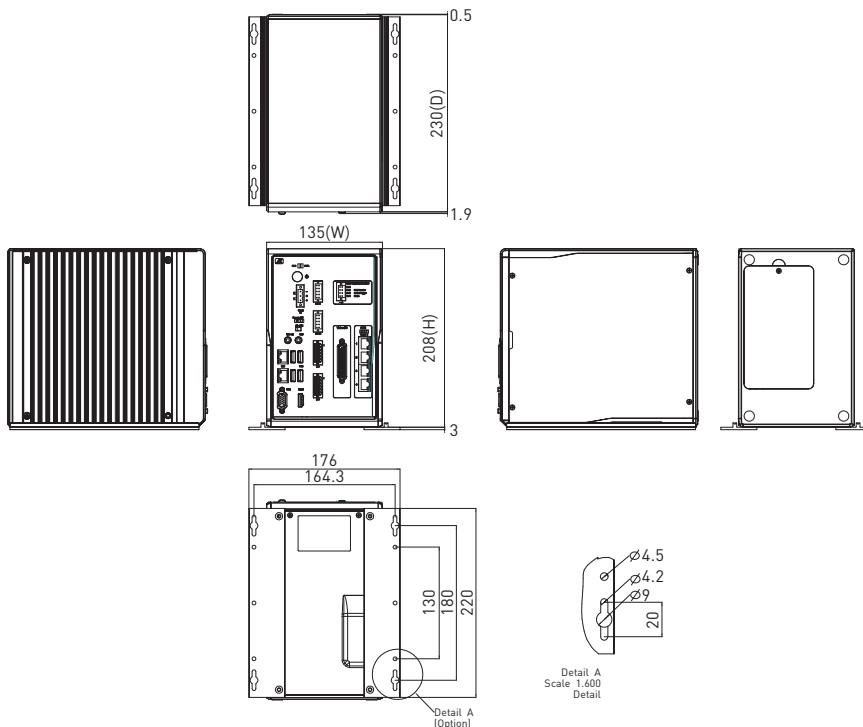
DC Version

| |
|--------------------------------|
| OVP (over voltage protection) |
| SCP (short circuit protection) |
| OCP (over current protection) |

Packing List

- 1 x MVS900-511-FL
- 1 x Screw pack
- 4 x Foot pad
- 1 x CPU grease
- 1 x Terminal block
- 1 x Remote power switch cable

Dimensions



6

Industrial Chassis (including Embedded MicroBoxes)



Axiomtek's MicroBoxes are perfect for industrial automation, medical, POS, gaming, digital signage, and security market applications. With specific I/Os and pre-installed embedded operating systems, executing embedded solutions has become easier, and time to market reduced.

| | | |
|---------------------|--|-----|
| Selection Guide | | 118 |
| Embedded MicroBoxes | | |
| ECM100 | Embedded Chassis for Mini-ITX SBC | 120 |
| ECM300 | Embedded Chassis with 2 Expansion Slots for Mini-ITX SBC | 121 |
| Industrial Chassis | | |
| AX60501 | 6-slot ShoeBox Chassis | 122 |
| AX60810 | Wall Mount Chassis for ATX and Micro-ATX Motherboard | 124 |
| AX61135TM | 1U Expandability Rackmount Chassis for ATX Motherboard | 126 |
| AX61223TM | 2U Rackmount Chassis for ATX/Micro ATX Motherboard | 128 |
| AX61410 | 4U 14-slot Rackmount Chassis | 130 |
| AX6156LE | 4U 14-slot Rackmount Chassis | 132 |

Systems and Platforms

Embedded MicroBoxes

Selection Guide

| Model | Accessory Specifications | | | Dimensions | Mini ITX |
|--|--------------------------|--------------------------------|--|---------------------|--------------------|
| | Drive Bay | Expansion Slot | Power Supply | | |
|  ECM100 | 2 x 2.5" | N/A | ATX 250W Input: AC 115 to 230V Output: +3.3V @ 10A, +5V @ 10A, +12V @ 8.5A, -12V @ 0.4A, +5VSB @ 1A, +5VSB @ 2.5A | 265 x 250 x 71.5 mm | MAN0500 MAN0520 |
|  ECM300 | 1 x 3.5" or 1 x 2.5" | 2 x PCIe x8 or 1 x PCIe x16 | ATX 250W Input: AC 115 to 230V Output: +3.3V @ 10A, +5V @ 10A, +12V @ 8.5A, -12V @ 0.4A, +5VSB @ 1A, +5VSB @ 2.5A | 335 x 250 x 93.5 mm | MAN0500 MAN0520 |

Industrial Chassis

Selection Guide



| Features/Models | AX60501 | AX60810 | AX61135TM |
|-------------------------------|---|---|--|
| Height | - | - | 1U |
| Number of Slots | 6 | 7 | 1 |
| Backplane Selection | FAB105, FAB109, FAB110, HAB206, ATX6022/6 | N/A | N/A |
| MB Support | N/A | Yes, 12" x 9.6" (ATX), 9.6" x 9.6" (mATX) | Yes, 12" x 9.6" (ATX) |
| Drive Capacity | 5.25" | 1 | N/A |
| | 3.5" | 2 (1 internal) | 2 (internal) |
| Cooling System | 1 x 9 cm | 1 x 12 cm (with a removable filter) | 2 x 4 cm |
| Fault Detection | N/A | N/A | N/A |
| Power Supply | PS/2 type | PS/2 type | 1U type |
| Dimensions (W x D x H) | 235±1.0 x 400.5±1.0 x 154.7±1.0 mm (9.25" x 15.77" x 6.09") | 196±1.0 x 407.4±1.0 x 330±1.0 mm (7.72" x 16.04" x 13") | 482±1.0 x 469.50±1.0 x 44±1.0 mm (18.98" x 18.48" x 1.73") |
| Weight (net/gross) | 9 kg (19.84 lb)/10.3 kg (22.7 lb) | 9 kg (19.84 lb)/10.3 kg (22.7 lb) | 4.2 kg (9.26 lb)/6.7 kg (14.77 lb) |



| Features/Models | AX61223TM | AX61410 | AX6156LE |
|-------------------------------|---|--|---|
| Height | 2U | 4U | 4U |
| Number of Slots | 2 | 14 | 14 |
| Backplane Selection | N/A | FAB100, FAB101, FAB112, FAB113, FAB114, FAB119, FAB121, ATX6022/14G, ATX6022/13L, A TX6022/14GP7 | FAB100, FAB101, FAB112, FAB113, FAB114, FAB119, ATX6022/14G, ATX6022/13L, ATX6022/14GP7 |
| MB Support | Yes, 12" x 9.6" (ATX) | Yes, 12" x 9.6" (ATX), 9.6" x 9.6" (mATX) | Yes, 12" x 9.6" (ATX) |
| Drive Capacity | 5.25" | 1 | 3 |
| | 3.5" | 3 (2 internal) | 2 (1 internal) |
| Cooling System | 1 x 8 cm | 1 x 12 cm | 1 x 12 cm |
| Fault Detection | N/A | N/A | N/A |
| Power Supply | PS/2 type | PS/2 type | PS/2 type (optional HRP) |
| Dimensions (W x D x H) | 481.4±1.0 x 450±1.0 x 89.5±1.0 mm (18.95" x 17.72" x 3.52") | 479.3±1.0 x 447.85±1.0 x 177±1.0 mm (18.87" x 18.63" x 6.97") | 484.7±1.0 x 537.35±1.0 x 176.7±1.0 mm (19.08" x 21.16" x 6.96") |
| Weight (net/gross) | 12 kg (26.45 lb)/13.5 kg (29.77 lb) | 18 kg (39.68 lb)/19.5 kg (43 lb) | 18 kg (39.68 lb)/19.5 kg (43 lb) |

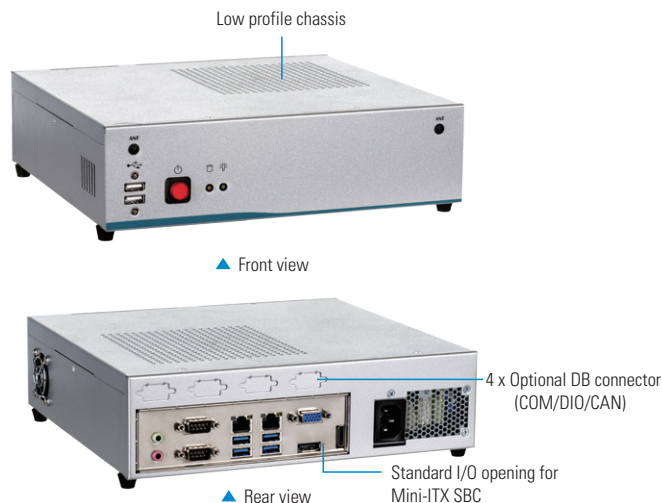


ECM100

Embedded Chassis for Mini-ITX SBC

Features

- Designed for Mini-ITX SBC
- Two 2.5" HDD drive bays
- Optional 250W AC-in power supply
- Supports wall mount kit
- Slim design with 1 system fan
- Easy and quick customization



Specifications

| | |
|---------------------|---|
| Standard Color | Silver |
| Construction | Heavy-duty cold-rolled steel |
| Indicator | 1 x Green LED for system power-on 1 x Orange LED for HDD active |
| Panel I/O | Front <ul style="list-style-type: none"> 1 x ATX power button 2 x USB 2.0 2 x SMA type connector opening for Antenna |
| | Rear <ul style="list-style-type: none"> 1 x Standard Mini-ITX I/O bracket space 4 x Optional DB connector (COM/DIO/CAN) |
| Expansion Interface | N/A |
| Storage | 2 x 2.5" HDD (9.5 mm height) |
| Cooling | 40 x 40 mm system fan |
| Power Input | ATX 250W |
| | Input: AC 115 to 230V Output: +3.3V @ 10A, +5V @ 10A, +12V @ 8.5A, -12V @ 0.4A, +5VSB @ 1A |
| Dimensions | 265 mm (10.43") (W) x 250 mm (9.84") (D) x 71.5 mm (2.81") |
| Environment | EMI pre-scan meets EN 55022 Class A |

Applications

Factory automation
Embedded controller
Machine vision system
IIoT gateway
Compact industrial PC

Ordering Information

Standard

ECM100 Embedded chassis for Mini-ITX SBC

SBC Options

MAN0500-H110 (P/N: E38M500100)

MAN0500-Q170 (P/N: E38M500106)

MAN0520-H310 (P/N: E38M520100)

Optional

881721000A0E Wall mount kit

50916624000E 250W AC power supply

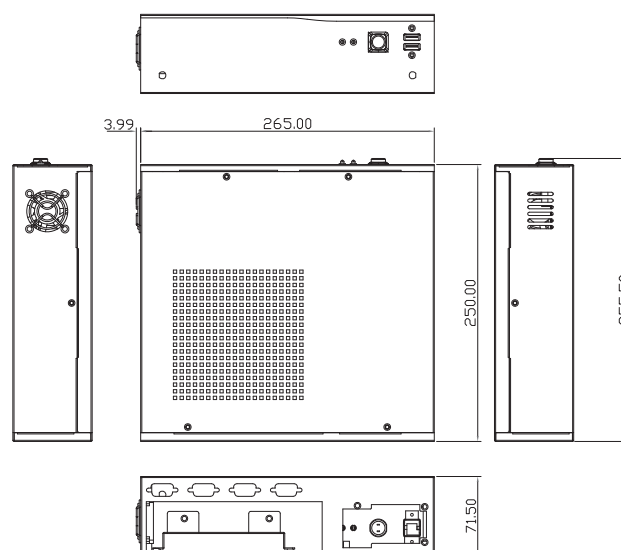
82723001030E 250W fan bracket kit

594K6402110E RS-232 cable

Power Cord

*Specifications and certifications may vary according to various options.

Dimensions



ECM300

Embedded Chassis with Expansion Slots for Mini-ITX SBC

Features

- Designed for Mini-ITX SBC with expansion slots
- One 3.5" or 2.5" HDD drive bay
- Supports 2 PCIe x8 or 1 PCIe x16 slots
- Slim design with 1 system fan
- 250W power supply supported
- Easy and quick customization



Specifications

| | |
|---------------------|--|
| Standard Color | Silver |
| Construction | Heavy-duty cold-rolled steel |
| Indicator | 1 x Green LED for system power-on 1 x Orange LED for HDD active |
| Panel I/O | Front 1 x ATX power button with cover 2 x USB 2.0 antenna |
| | Rear 1 x Standard Mini-ITX I/O bracket space |
| Expansion Interface | 1 x PCIe x16 or 2 x PCIe x8 |
| Storage | 1 x 3.5" HDD or 1 x 2.5" HDD (9.5 mm height) |
| Cooling | 80 x 80 mm system fan |
| Power Input | ATX 250W |
| | Input: AC 115 to 230V Output: +3.3V @ 10A, +5V @ 10A, +12V @ 8.5A, -12V @ 0.4A, +5VSB @ 1A |
| Dimensions | 335 mm (13.2") (W) x 250 mm (9.8") (D) x 93.5 mm (3.68") (H) |
| Environment | EMI pre-scan meets EN 55022 Class A |

Applications

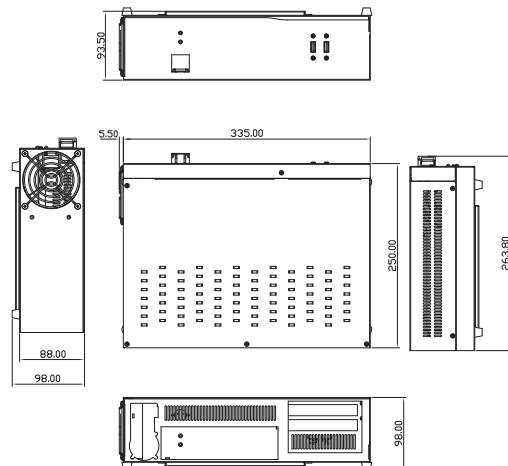
Factory automation
Embedded controller
Machine vision system
Compact industrial PC

Ordering Information

| Standard | |
|-----------------------------------|--|
| ECM300 | Embedded chassis with expansion slots for Mini-ITX SBC |
| SBC Options | |
| MANO520-H310 (P/N: E38M520100) | Supports 1 x PCIe x16 |
| MANO500-Q170 (P/N: E38M500106) | Supports 1 x PCIe x16 or 2 x PCIe x8 |
| MANO500-H110 (P/N: E38M500100) | Supports 1 x PCIe x16 |
| Optional | |
| AX96723 (P/N: 5A009672300E) | 1 x PCIe x16 riser card |
| AX96147 (P/N: 83961471000E) | 2 x PCIe x8 riser card |
| 881723000A0E | Wall mount kit |
| 50916624000E | 250W AC power supply |
| 82723001030E | 250W fan bracket kit |
| Power cord | |

*Specifications and certifications may vary according to various options.

Dimensions

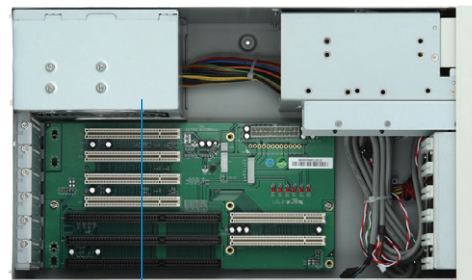


AX60501

6-slot ShoeBox Chassis

Features

- Desktop or wallmount industrial computer chassis
- One 5.25" and two 3.5" HDD drive bays
- Equipped with a PS/2 type power supply



Equipped with a power supply bracket securing the power supply better when the chassis is positioned in 90° orientation

▲ Top view

Specifications

| | |
|------------------------|--|
| Standard Color | Beige |
| Construction | Heavy-duty steel |
| Drive Capacity | Exposed 1 x 5.25" HDD drive bay |
| | 1 x 3.5" HDD drive bay |
| | Internal 1 x 3.5" HDD drive bay |
| Cooling | 1 x 9 cm ball-bearing fan (51 CFM/each) with a removable filter |
| Front Panel Indicators | 1 x Power on/off |
| Front Panel Controls | 1 x Power on/off |
| | 1 x System reset |
| Front Panel Connector | 1 x PS/2 6-pin keyboard & mouse 2 x USB |
| System Board | SBCs |
| Expansion Interface | 6-slot backplane |
| Operating Temperature | 0°C to +40°C (+32°F to +104°F) |
| Dimensions | 235 ± 1.0mm (9.25") (W) x 400.5 ± 1.0mm (15.77") (D) x 154.7 ± 1.0mm (6.09") (H) |
| Weight (net/gross) | 9 kg (19.84 lb)/10.3 kg (22.7 lb) |

Ordering Information

| | |
|------------------------------|---|
| AX60501 (P/N: E260501109) | 6-slot black shoesbox chassis for full-size SBC W/O PSU |
| AX60501 (P/N: E260501116) | 6-slot beige shoesbox chassis for full-size SBC W/O PSU |

*Specifications and certifications are based on options and may vary.

Power Supply Information

| | |
|--------------|-----------------------------|
| 50904B24010E | ATX 400W FSP-400-70PFL (SK) |
| 50916A06000E | ATX 600W SS-600ES2 |

Backplane Options

PICMG 1.0

| Models | Slots per Segment (ISA/PCI/PCIe/CPU) | Segment |
|-----------|--------------------------------------|---------|
| ATX6022/6 | 1/4/0/1 | Single |

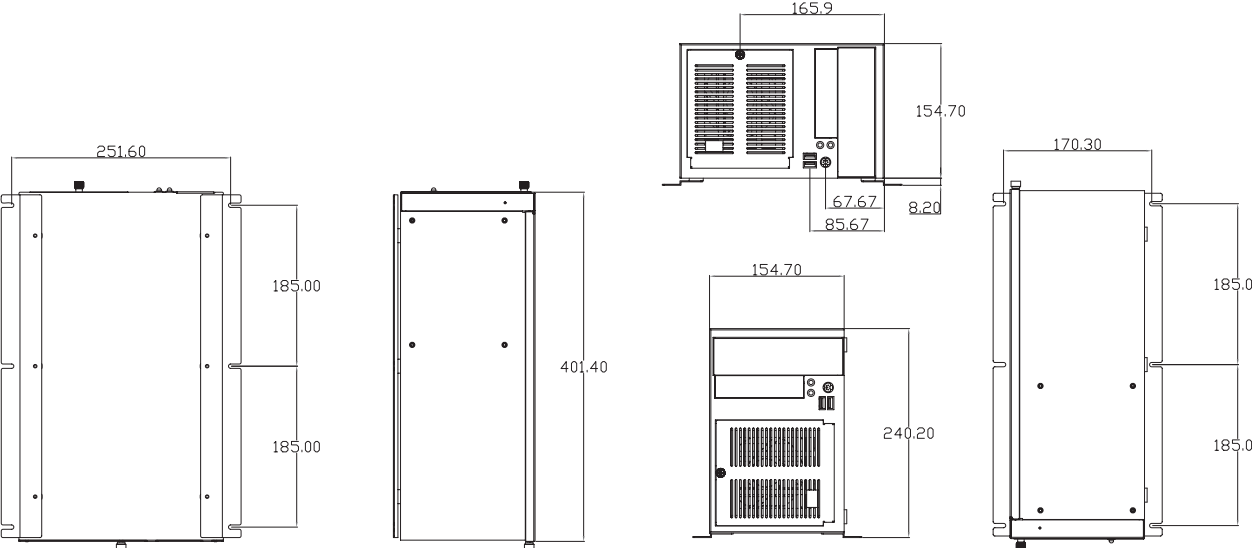
PICMG 1.3

| Models | Slots per Segment (ISA/PCI/PCIe/CPU) | Segment |
|--------|--------------------------------------|---------|
| FAB105 | 0/3/1/1 | Single |
| FAB109 | 0/0/4/1 | Single |
| FAB110 | 0/2/2/1 | Single |
| HAB206 | 0/3/1/1 | Single |

Optional Accessories

| | |
|--------------|--|
| 50761222000E | LGA1151/1155/1156 CPU cooler |
| 72061560000E | 3.5" to 5.25" HDD bracket (Need to buy a pair) |

Dimensions



- 1
- 2
- 3
- 4
- 5
- 6**

Embedded
MicroBoxes

AX60810

Wall Mount Chassis for ATX and Micro-ATX Motherboards

Features

- Supports ATX/micro-ATX motherboard
- Front-accessible one 5.25" HDD and two 3.5" HDD drive bays
- Equipped with a PS/2 type power supply
- One 12cm ball-bearing fan
- Bidirectional mounting chassis
- Easy removable filter
- Flexible I/O opening on rear



▲ Top view



▲ Rear view

Specifications

| | |
|------------------------|--|
| Standard Color | Warm gray |
| Construction | Heavy-duty steel |
| System Board | ATX or mATX |
| Drive Capacity | Exposed 1 x 5.25" HDD drive bay 2 x 3.5" HDD drive bays or 1 x 2.5" & 1 x 3.5" HDD drive bays |
| Cooling | 1 x 12cm DC fan with a removable filter |
| Front Panel Indicators | 1 x Power on/off 1 x HDD |
| Front Panel Controls | 1 x Power on/off 1 x System reset |
| Front Panel Connector | 2 x USB |
| Operating Temperature | 0°C to +40°C (+32°F to +104°F) |
| Dimensions | 196 ± 1.0mm (7.72") (W) x 407.4 ± 1.0mm (16.04") (D) x 330 ± 1.0mm (13") (H) |
| Weight (net/gross) | 9 kg (19.84 lb)/10.3 kg (22.7 lb) |

Ordering Information

| | |
|------------------------------|--|
| AX60810 (P/N: E260810100) | Shoebox 7-slot warm gray chassis for ATX/micro-ATX motherboard w/o PSU |
|------------------------------|--|

*Specifications and certifications are based on options and may vary.

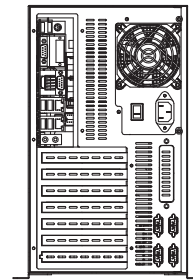
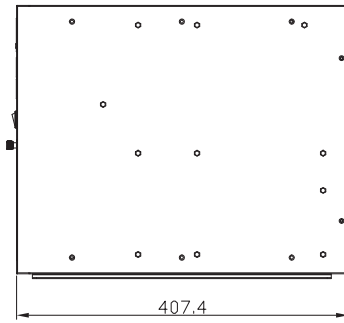
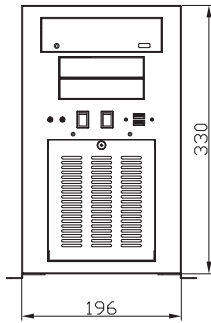
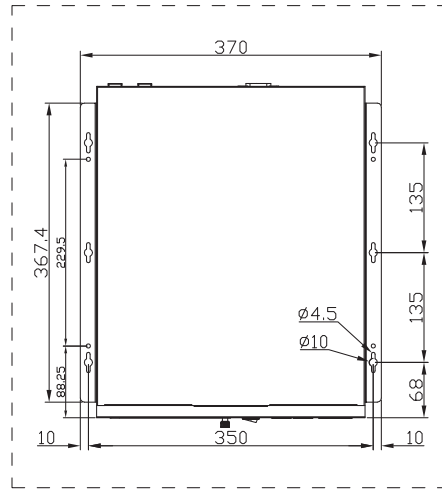
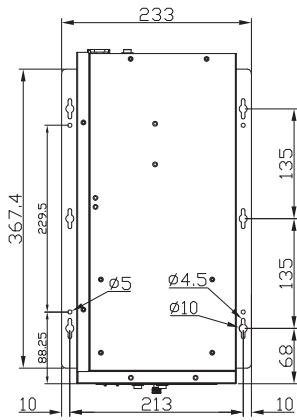
Power Supply Information

| | |
|--------------|-----------------------------|
| 50904B24010E | ATX 400W FSP-400-70PFL (SK) |
| 50916A06000E | ATX 600W SS-600ES2 |

Optional Accessories

| | |
|--------------|--|
| 50761222000E | LGA1151/1155/1156 CPU cooler |
| 72061560000E | 3.5" to 5.25" HDD bracket (Need to buy a pair) |
| 881608100A0E | AX60810 USB dongle kit |

Dimensions



1

2

3

4

5

6

Embedded
Microboxes

AX61135TM

1U Expandability Rackmount Chassis for ATX Motherboard

Features

- Supports 12" x 9.6" standard ATX motherboard
- Two 4 cm system fan
- Supports 1U Flex ATX power supply
- Internal 2 x 3.5" HDD or internal 2 x 2.5" HDD



▲ Top view



▲ Front view



▲ Rear view

Specifications

| | |
|------------------------|--|
| Standard Color | Black |
| Construction | Heavy-duty steel |
| System Board | 12" x 9.6" standard ATX motherboard |
| Drive Capacity | Internal 2 x 3.5" HDD or internal 2 x 2.5" HDD |
| Cooling | 2 x 4 cm ball-bearing fan |
| Front Panel Indicators | 1 x Power on/off 1 x HDD |
| Front Panel Controls | 1 x Power on/off |
| Front Panel Connectors | 2 x USB 2.0 |

| | |
|-----------------------|---|
| Expansion Interface | 1 x PCI (32-bit/33 MHz) or 1 x PCIe x16 slot via riser card |
| Operating Temperature | 0°C to +40°C (+32°F to +104°F) |
| Dimensions | 482 ± 1.0 mm (18.98") (W) x 471.50 ± 1.0 mm (18.48") (D) x 44 ± 1.0 mm (1.73") (H) |
| Weight (net/gross) | 4.2 kg (9.26 lb)/6.7 kg (14.77 lb) |

Ordering Information

| | |
|--------------------------------|--|
| AX61135TM (P/N: E261135100) | 1U rackmount chassis for ATX motherboard w/o PSU |
|--------------------------------|--|

Power Supply Information

| | |
|--------------|---------------------------------|
| 50954724200E | ATX 300W FSP300-57FCB, L=750 mm |
|--------------|---------------------------------|

Selection Guide

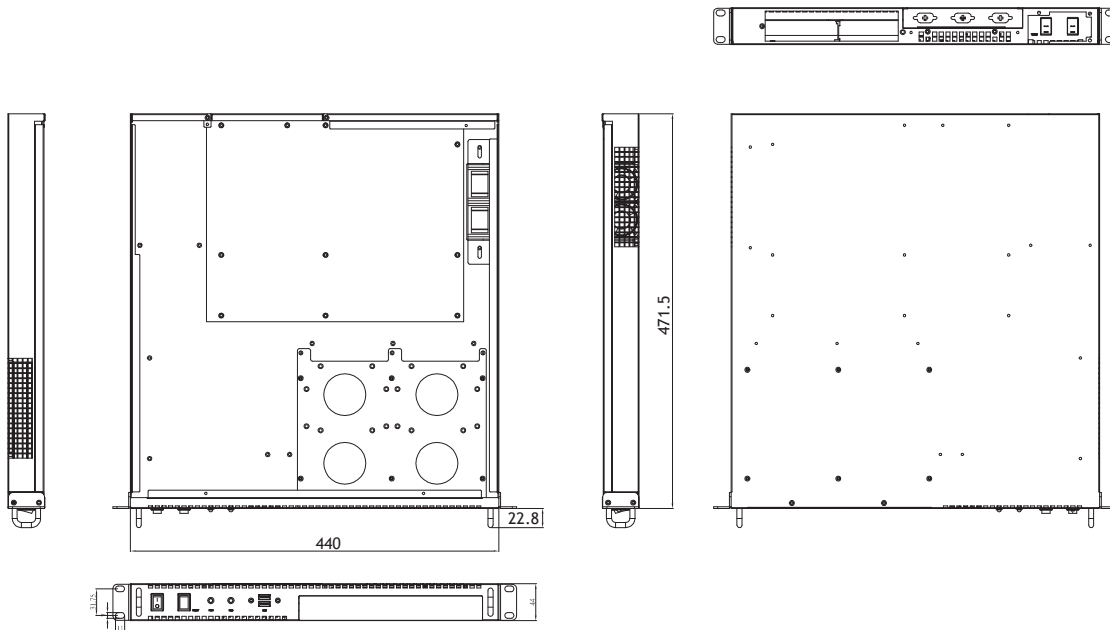
| Model Name | Rear I/O | PCIe x16 to PCIe x16 riser card (P/N: 82611350030E) | PCI to PCI riser card (P/N: 82611350020E) |
|------------|--------------|--|--|
| IMB530 | | ○ | ○ |
| IMB520(R) | | ○ | X |
| IMB521(R) | | ○ | X |
| IMB523(R) | 72611351400E | ○ | ○ |
| IMB524(R) | | ○ | ○ |
| IMB525(R) | | ○ | ○ |

○ : Support X: Not Support

Optional Accessories

| | |
|--------------|---|
| 881611350A0E | Hot-swappable HDD tray set (Need to buy 594L3220B00E) |
| 594L3220B00E | Hot-swappable HDD power cable |
| 594G5208010E | SATA3 Cable 180D w/B.sleeve L=50cm |
| 594G5208000E | SATA3 Cable 180D w/lock & B.sleeve L=50cm |
| 59401210530E | Power cable 6 x 2 to 4P x 2/SATA x 2/AT x 8, L=65 cm |
| 5076E510000E | LGA1151/LGA1200 CPU heatsink |
| 59380703000E | COM Cable x2 w/BKT (,40), P=2.54 mm, L=300 mm |
| 59380402010E | COM Cable x1 w/Bracket, P=2.54 mm, L=300 mm |
| 59384500100E | SBC84500 Audio Cable w/BKT, P=2, L=420 mm |
| 5938A808020E | USB Cable w/BKT USB x 2, 2 x 5 (10P-KEY) 400 mm |

Dimensions

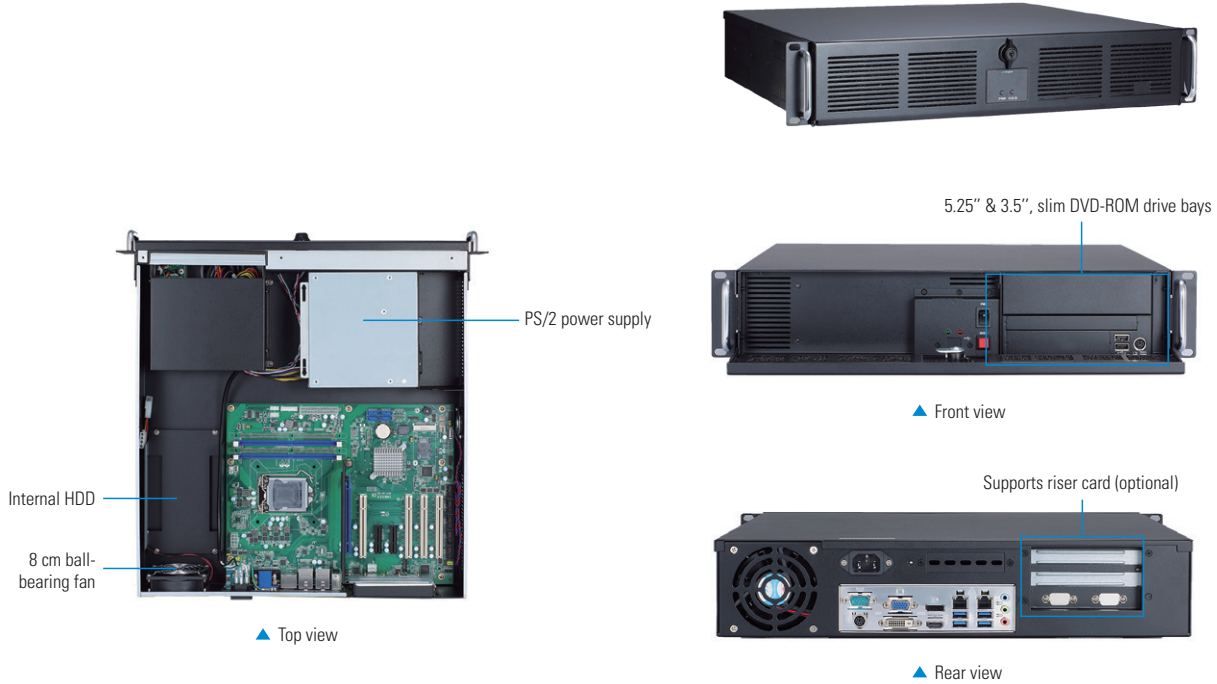


AX61223TM

2U Rackmount Chassis for ATX/Micro ATX Motherboard

Features

- Supports ATX/Micro ATX motherboard
- Supports ATX power supply
- Internal one 3.5" HDD drive bays
- Front-accessible one 3.5", one 5.25" HDD drive bays and one slim CD-ROM bay



Specifications

| | | |
|------------------------|---|---|
| Standard Color | Black | |
| Construction | Heavy-duty steel | |
| System Board | ATX/Micro ATX motherboard | |
| Drive Capacity | Exposed | 1 x Slim-line CD-ROM bay 1 x 3.5" HDD drive bay 1 x 5.25" HDD drive bay |
| | Internal | 1 x 3.5" HDD drive bay |
| Cooling | 1 x 8 cm ball-bearing fan (38.6 CFM/each) | |
| Front Panel Indicators | 1 x Power on/off 1 x HDD | |
| Front Panel Controls | 1 x Power on/off 1 x System reset | |

| | |
|------------------------|--|
| Front Panel Connectors | 2 x USB 1 x PS/2 2 x USB (flexible USB kit, optional) |
| Rear Panel Connectors | 2 x COM opening |
| Expansion Interface | By riser card (optional) |
| Speaker | 1 x 0.3W speaker |
| Operating Temperature | 0°C to +40°C (+32°F to +104°F) |
| Dimensions | 481.4 ± 1.0mm (18.95") (W) x 450 ± 1.0mm (17.72") (D) x 89.5 ± 1.0mm (3.52") (H) |
| Weight (net/gross) | 12 kg (26.45 lb)/13.5 kg (29.77 lb) |

Ordering Information

| | |
|--------------------------------|--|
| AX61223TM (P/N: E261223100) | 2U black rackmount chassis for ATX/Micro-ATX motherboard w/o PSU |
|--------------------------------|--|

*Specifications and certifications are based on options and may vary.

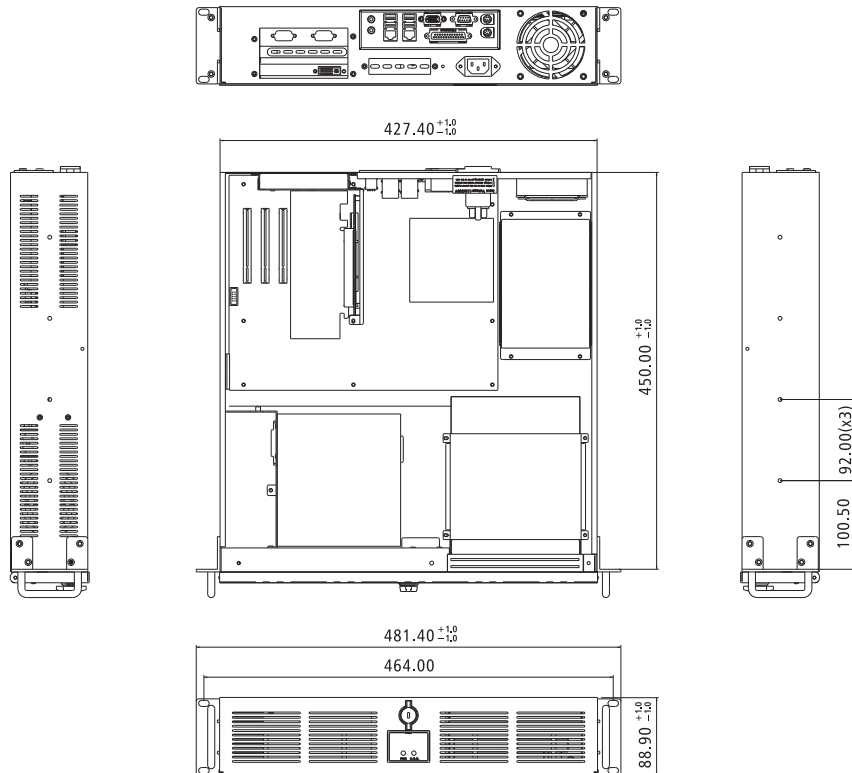
Power Supply Information

| | |
|--------------|-----------------------------|
| 50904B24010E | ATX 400W FSP-400-70PFL (SK) |
| 50916A06000E | ATX 600W SS-600ES2 |

Optional Items

| | |
|--------------|---|
| 5A009672200E | AX96722 PCIe x16 to one PCIe x16 riser card |
| 5A009672100E | AX96721 PCIe x16 to two PCIe x8 riser card |
| 83962101000E | AX96210 PCIe x1 to two PCI riser card |
| 59460642100E | Flexible rear COM I/O, 1 COM port cable, P=2.54 mm, L=300 mm |
| 59460802800E | Flexible front USB I/O, 2 USB port cable, P=2.54 mm, L=600 mm |
| 50761222000E | LGA1151/1155/1156 CPU cooler |
| 72061560000E | 3.5" to 5.25" HDD bracket (Need to buy a pair) |
| 593836A0030E | Power cable SATAx2, L=150mm (RC) |
| 594G5208010E | SATA3 Cable 180D w/B.sleeve, L=50cm |
| 594G5208000E | SATA3 cable 180D w/lock&B.sleeve, L=50cm |

Dimensions



AX61410

Backplane Version: 4U 14-slot Rackmount Chassis for Full-size SHB/SBC Series

Motherboard Version: 4U 7-slot Rackmount Chassis for ATX/Micro-ATX Motherboard

Features

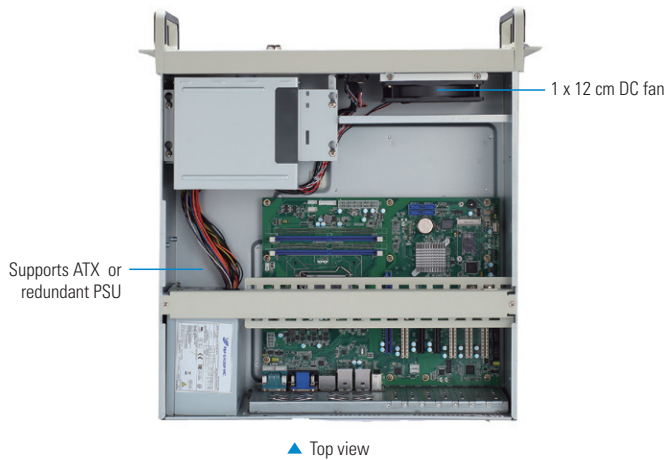
- Three 5.25" HDD and one 3.5" HDD drive bays
- ATX or redundant power supply (optional)
- Lockable front door



▲ Front view



▲ Rear view



▲ Top view

Specifications

| | | |
|------------------------|--|------------------------------|
| Standard Color | Black/Beige | |
| Construction | Heavy-duty steel | |
| System Board | TM version | ATX or Micro-ATX motherboard |
| | TB version | PICMG - SBC/SHB Series |
| Drive Capacity | External | 3 x 5.25" HDD drive bay |
| | | 1 x 3.5" HDD drive bay |
| | Internal | 1 x 3.5" HDD |
| Cooling | 1 x 12 cm DC fan with a removable filter | |
| Front Panel Indicators | 1 x Power | |
| | 1 x HDD | |
| Front Panel Controls | 1 x Power on/off | |
| | 1 x System reset | |
| Front Panel Connector | 2 x USB (default) | |
| | 2 x USB (optional) | |
| Operating Temperature | 0°C to +40°C (+32°F to +104°F) | |
| Dimensions | 479.3 ± 1.0mm (18.87") (W) x 447.85 ± 1.0mm (18.63") (D) x 177 ± 1.0mm (6.97") (H) | |
| Weight (net/gross) | 18 kg (39.68 lb)/19.5 kg (43 lb) | |
| Speaker | Optional | |
| Rear Panel | 2 x COM opening, 2 x flexible I/O opening | |

Ordering Information

| | |
|--------------------------------|---|
| AX61410TM (P/N: E261410100) | 4U 7-slot black rackmount chassis for ATX/Micro-ATX motherboard w/o PSU |
| AX61410WM (P/N: E261410101) | 4U 7-slot beige rackmount chassis for ATX/Micro-ATX motherboard w/o PSU |
| AX61410TB (P/N: E261410102) | 4U 14-slot black rackmount chassis for full-size SBC w/o PSU |
| AX61410WB (P/N: E261410103) | 4U 14-slot beige rackmount chassis for full-size SBC w/o PSU |

*Specifications and certifications are based on options and may vary.

Power Supply Information

| | |
|--------------|-------------------------------------|
| 50904B24010E | ATX 400W FSP-400-70PFL (SK) |
| 50916A06000E | ATX 600W SS-600ES2 |
| 50914B09620E | ATX AC_AUTO 400W-HRP MRW-6400P (RC) |

Optional Accessories

| | |
|--------------|--|
| 50761222000E | LGA1151/1155/1156 CPU cooler |
| 72061560000E | 3.5" to 5.25" HDD bracket (Need to buy a pair) |
| 593836A0030E | Power Cable SATAx2 L=150mm(RC) |
| 594G5208010E | SATA3 Cable 180D w/B.sleeve L50cm |
| 594G5208000E | SATA3 Cable 180D w/lock&B.sleeve L50cm |
| 59380402010E | COM PORT Cable w/bracket P=2.54mm L=300m |

Backplane Options

PICMG 1.0

| Models | Slots per Segment (ISA/PCI/PCIe/CPU) | Segment |
|---------------|--------------------------------------|---------|
| ATX6022/13L | 8/4/0/1 | Single |
| ATX6022/14G | 1/12/0/1 | Single |
| ATX6022/14GP7 | 6/7/0/1 | Single |

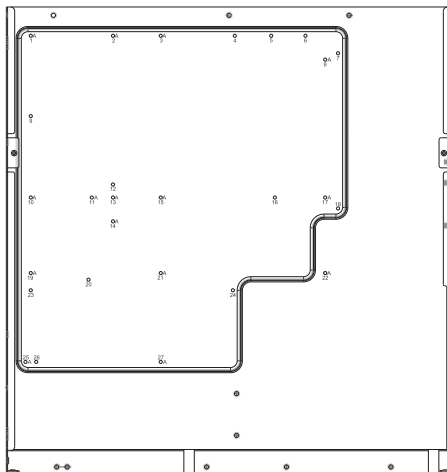
PICMG 1.3

| Models | Slots per Segment (ISA/PCI/PCIe/CPU) | Segment |
|--------|--------------------------------------|---------|
| FAB100 | 4/4/5/1 | Single |
| FAB101 | 0/13/0/1 | Single |
| FAB112 | 0/10/2/1 | Single |
| FAB113 | 0/4/8/1 | Single |
| FAB114 | 0/8/4/1 | Single |
| FAB119 | 0/10/2/1 | Single |
| FAB121 | 0/2/8/1 | Single |

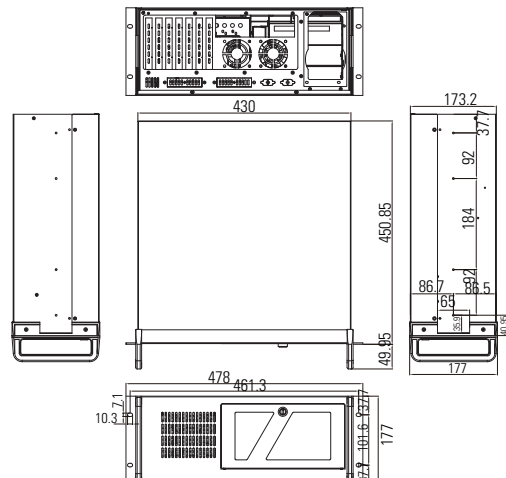
Installation Guide of Mounting Screws

| | 1 | 2 | 3 | 4 | 5 | 6 | 7 | 8 | 9 | 10 | 11 | 12 | 13 | 14 | 15 | 16 | 17 | 18 | 19 | 20 | 21 | 22 | 23 | 24 | 25 | 26 | 27 | |
|-------------------------|---|---|---|---|---|---|---|---|---|----|----|----|----|----|----|----|----|----|----|----|----|----|----|----|----|----|----|----|
| FAB100 | ○ | ○ | ○ | ○ | ○ | ○ | ○ | ○ | | ○ | | | | | ○ | ○ | ○ | | | ○ | | | ○ | ○ | ○ | ○ | | 15 |
| FAB101 | ○ | ○ | ○ | ○ | ○ | ○ | ○ | ○ | ○ | | | | | | ○ | ○ | ○ | | | ○ | | | ○ | ○ | ○ | ○ | | 17 |
| FAB112 | ○ | ○ | ○ | ○ | ○ | ○ | ○ | ○ | | ○ | | | | | ○ | ○ | ○ | | | ○ | ○ | | ○ | ○ | ○ | ○ | | 16 |
| FAB113 | ○ | ○ | ○ | ○ | ○ | ○ | ○ | ○ | | ○ | | | | | ○ | ○ | ○ | | | ○ | ○ | | ○ | ○ | ○ | ○ | | 16 |
| FAB114 | ○ | ○ | ○ | ○ | ○ | ○ | ○ | ○ | | ○ | | | | | ○ | ○ | ○ | | | ○ | ○ | | ○ | ○ | ○ | ○ | | 16 |
| FAB119 | ○ | ○ | ○ | ○ | ○ | ○ | ○ | ○ | ○ | | | | | | ○ | ○ | ○ | | | ○ | ○ | | ○ | ○ | ○ | ○ | | 17 |
| AX6022_13L | ○ | ○ | ○ | ○ | ○ | | | | | ○ | | | | | ○ | ○ | ○ | | | ○ | | | ○ | ○ | | | | 12 |
| AX6022_14L | ○ | ○ | ○ | ○ | ○ | | | | | ○ | | | | | ○ | ○ | ○ | | | ○ | | | ○ | ○ | | | | 12 |
| AX6022_14G | ○ | ○ | ○ | ○ | ○ | | | | | ○ | | | | | ○ | ○ | ○ | | | ○ | | | ○ | ○ | | | | 11 |
| AX6022_14GP7 | ○ | ○ | ○ | ○ | ○ | | | ○ | | ○ | ○ | | | | ○ | ○ | ○ | | | ○ | ○ | | ○ | ○ | ○ | ○ | | 14 |
| MMB501 | | ○ | ○ | | | | | ○ | | ○ | | | | | ○ | ○ | | | | ○ | ○ | | | | | | | 8 |
| IMB500/501/502 | ○ | ○ | ○ | | | | ○ | | ○ | | | | | | ○ | ○ | ○ | | | ○ | ○ | | ○ | ○ | | | | 10 |
| IMB520(R)/521(R) | ○ | ○ | ○ | | | | ○ | | ○ | | | | | | ○ | ○ | ○ | | | ○ | ○ | | ○ | ○ | | | | 10 |
| IMB523(R)/524(R)/525(R) | ○ | ○ | ○ | | | | ○ | | ○ | | | | | | ○ | ○ | ○ | | | ○ | ○ | | ○ | ○ | | | | 10 |
| IMB530 | ○ | ○ | ○ | | | | ○ | | ○ | | | | | | ○ | ○ | ○ | | | ○ | ○ | | ○ | ○ | | | | 10 |
| IMB700 | ○ | ○ | ○ | | | | ○ | | ○ | | | | | | ○ | ○ | ○ | | | ○ | ○ | | ○ | ○ | | | | 10 |

Location of Chassis Mounting Holes



Dimensions

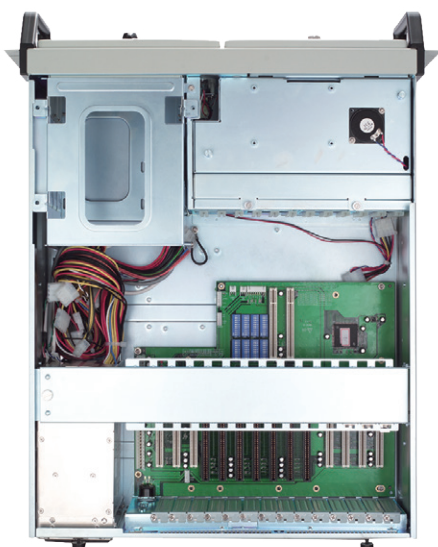


AX6156LE

4U 14-slot Rackmount Chassis

Features

- Three 5.25" and one 3.5" HDD drive bays
- One 12 cm ball-bearing fan (two 12 cm fans for optional)
- Supports maximum 14 slot backplane via PICMG SBCs or ATX motherboards
- Hot-swap redundant power supply supported



▲ Top view



Specifications

| | |
|------------------------|---|
| Standard Color | Beige |
| Construction | Heavy-duty steel |
| Drive Capacity | Exposed 3 x 5.25" HDD drive bay 1 x 3.5" HDD drive bay |
| Cooling | 1 x 12 cm ball-bearing fan (88 CFM/each) with a removable filter (two fans for optional) Front panel indicators: 1 x power on/off; 1 x HDD |
| Front Panel Controls | 1 x Power on/off 1 x System reset |
| Front Panel Connectors | 1 x USB 1x PS/2 5-pin keyboard |

| | |
|-----------------------|--|
| Pre-punched Panel | 2 x 9-pin; 1 x DIN 5-pin keyboard |
| System Board | PICMG SBCs, ATX motherboards or IMB series |
| Expansion Interface | 14-slot backplane |
| Speaker | 1 x 0.3W speaker |
| Operating Temperature | 0°C to +40°C (+32°F to +104°F) |
| Dimensions | 484.7 ± 1.0mm (19.08") (W) x 537.35 ± 1.0mm (21.16") (D) x 176.7 ± 1.0mm (6.96") (H) |
| Weight (net/gross) | 18 kg (39.68 lb)/19.5 kg (43 lb) |

Ordering Information

| | |
|---------------------------------|--|
| AX6156LEWB (P/N: E206156500) | 4U 14-slot beige rackmount chassis for full-size SBC w/o PSU |
| AX6156LETB (P/N: E206156501) | 4U 14-slot black rackmount chassis for full-size SBC w/o PSU |
| AX6156LETM (P/N: E206156502) | 4U 7-slot black rackmount chassis for ATX w/o PSU |
| AX6156LEWM (P/N: E206156525) | 4U 7-slot beige rackmount chassis for ATX SBC w/o PSU |

*Specifications and certifications are based on options and may vary.

** T-Black color; W-Beige color

Backplane Options

PICMG 1.3

| Models | Slots per Segment (ISA/PCI/PCIe/CPU) | Segment |
|--------|---|---------|
| FAB100 | 4/4/5/1 | Single |
| FAB101 | 0/13/0/1 | Single |
| FAB112 | 0/10/2/1 | Single |
| FAB113 | 0/4/8/1 | Single |
| FAB114 | 0/8/4/1 | Single |
| FAB119 | 0/10/2/1 | Single |

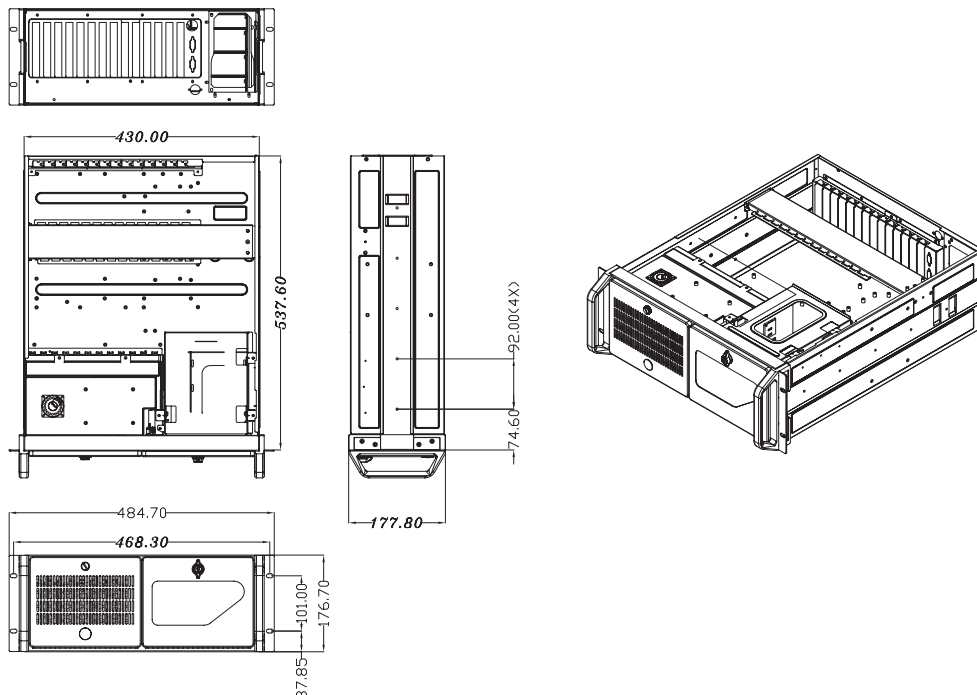
Power Supply Information

| | |
|--------------|-------------------------------------|
| 50904B24010E | ATX 400W FSP-400-70PFL (SK) |
| 50916A06000E | ATX 600W SS-600ES2 |
| 50914B09620E | ATX AC_AUTO 400W-HRP MRW-6400P (RC) |

Optional Accessories

| | |
|--------------|--|
| 50761222000E | LGA1151/1155/1156 CPU cooler |
| 72061560000E | 3.5" to 5.25" HDD bracket (Need to buy a pair) |
| E393242100 | AX93242-RC HD audio converter kit |
| 593836A0030E | Power cable SATAx2, L=150mm (RC) |
| 594G5208010E | SATA3 cable 180D w/B.sleeve, L=50cm |
| 594G5208000E | SATA3 cable 180D w/lock&B.sleeve, L=50cm |
| 59380402010E | COM port cable w/bracket, P=2.54mm, L=300m |
| 5938A808010E | USB cable w/bkt USBx2, 2X5 (10P-Key) |

Dimensions





ASIA

Axiomtek Co., Ltd (HQ)

8F., No.55, Nanxing Road, Xizhi District,
New Taipei City 221, Taiwan

T/ +886-2-8646-2111

F/ +886-2-8646-2555

E/ info@axiomtek.com.tw

Axiomtek Technology (Shenzhen) Co., Ltd

Unit GH, 6F, Building 7 (Block B), Baoneng
Science and Technology Park, Longhua
Street, Qinghu Community, Qinghu Village,
Longhua District, Shenzhen, China

T/ +86-0755-66865899

F/ +86-0755-66863068

E/ axcn@axiomtek.com.cn

Axiomtek Japan Co., Ltd.

3F, 1-7-11, Higashi Nihonbashi,
Chuo-Ku, Tokyo
103-0004, Japan

T/ +81-(0)3-6206-0308

E/ info@axiomtek.co.jp

Axiomtek (Malaysia) Sdn. Bhd.

No 16, Jalan Tandang 51/205A,
Seksyen 51, 46050 Petaling Jaya, Selangor,
Malaysia

T/ +603-77731203

+603-77724403

E/ info@axiomtek.com.my

Axiomtek (Thailand) Co., Ltd.

7/17 Moo 6, Tumbol Banmai,
Amphur Pakkret, Nonthaburi,
Thailand 11120

T/ +662-573-4725

F/ +662-573-4726

E/ sales@axiomtek.co.th

USA

Axiomtek (U.S. HQ)

18138 Rowland Street, City of Industry,
CA 91748, USA

T/ +1-626-581-3232

F/ +1-626-581-3552

E/ info@axiomtek.com
sales@axiomtek.com

Regional Sales Office

T/ +1-626-581-3232

Western Region ext. 116

Northeast/Southeast Region ext. 123

North Central Region ext. 189

Axiomtek Systems

300 Griffin Brook Drive, Methuen,
MA 01844, USA

T/ +1-978-258-0108

E/ sales@axiomteksystems.com

EU

Axiomtek Deutschland GmbH

Elisabeth-Selbert-Straße 21a
40764 Langenfeld, Germany

T/ +49-2173-399360

E/ welcome@axiomtek.de

Axiomtek UK Limited

Peter House, Oxford Street, Greater
Manchester M1 5AN, UK

T/ +44(0)1612093680

E/ info@axiomtek.co.uk

Axiomtek Italia S.r.l.

Via Pavia, 21
20835 Muggiò (MB), Italy

T/ +39-02-664299.1 r.a.

E/ info@axiomtek.it

